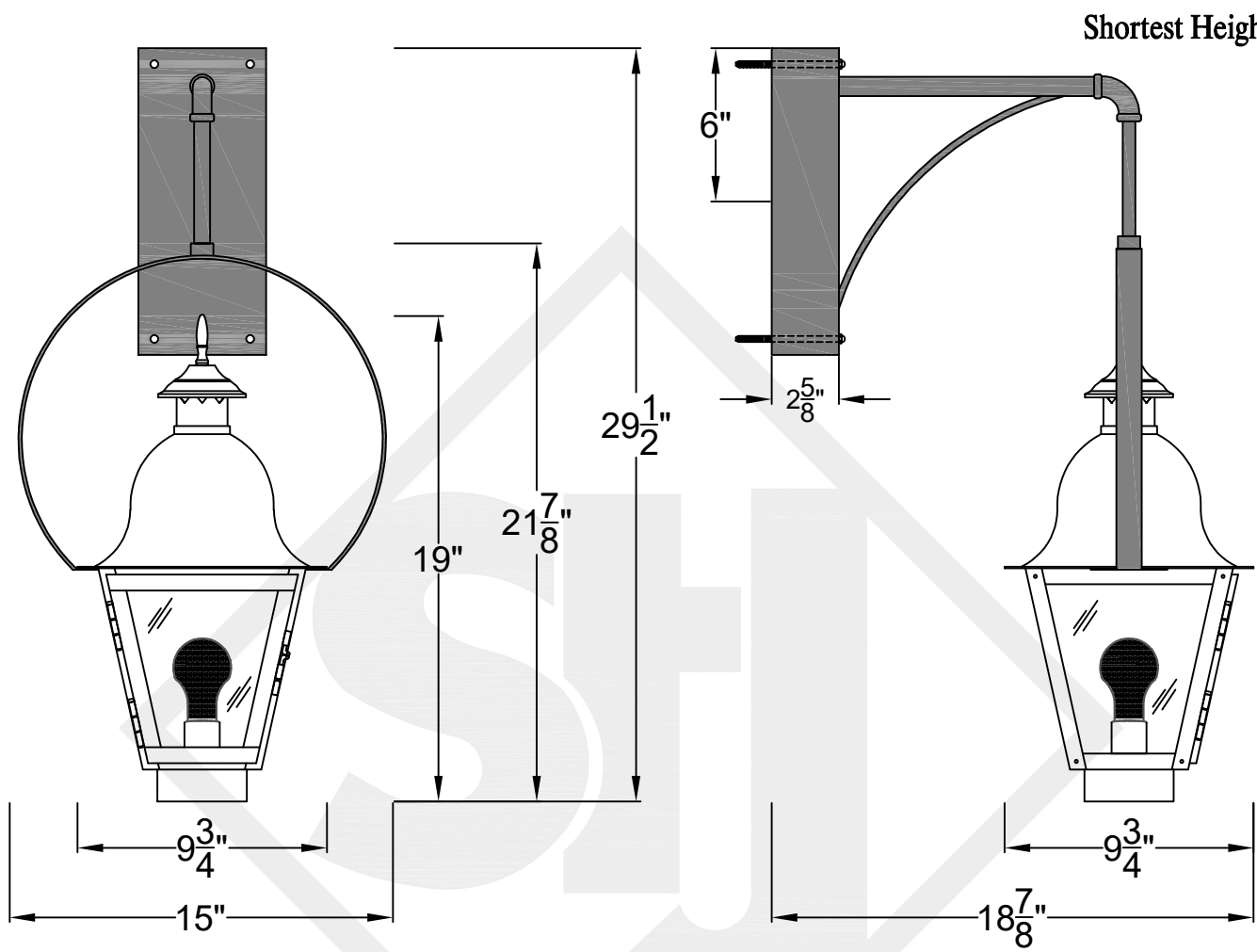
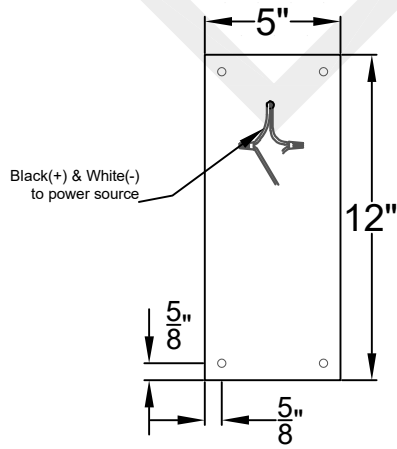


QUEBEC MINI WALL MOUNT HALF YOKE



Front View

Side View



Backplate



St. James
LIGHTING

SCALE: N.T.S.	DRAFT: Y. McCullough
FILE: QUEMINI	APP'D: J. Ragan
JOB: X	DATE: 12/5/23

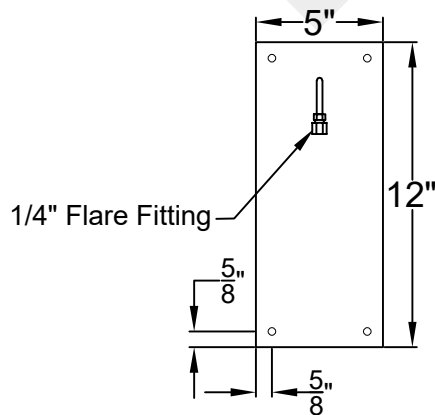
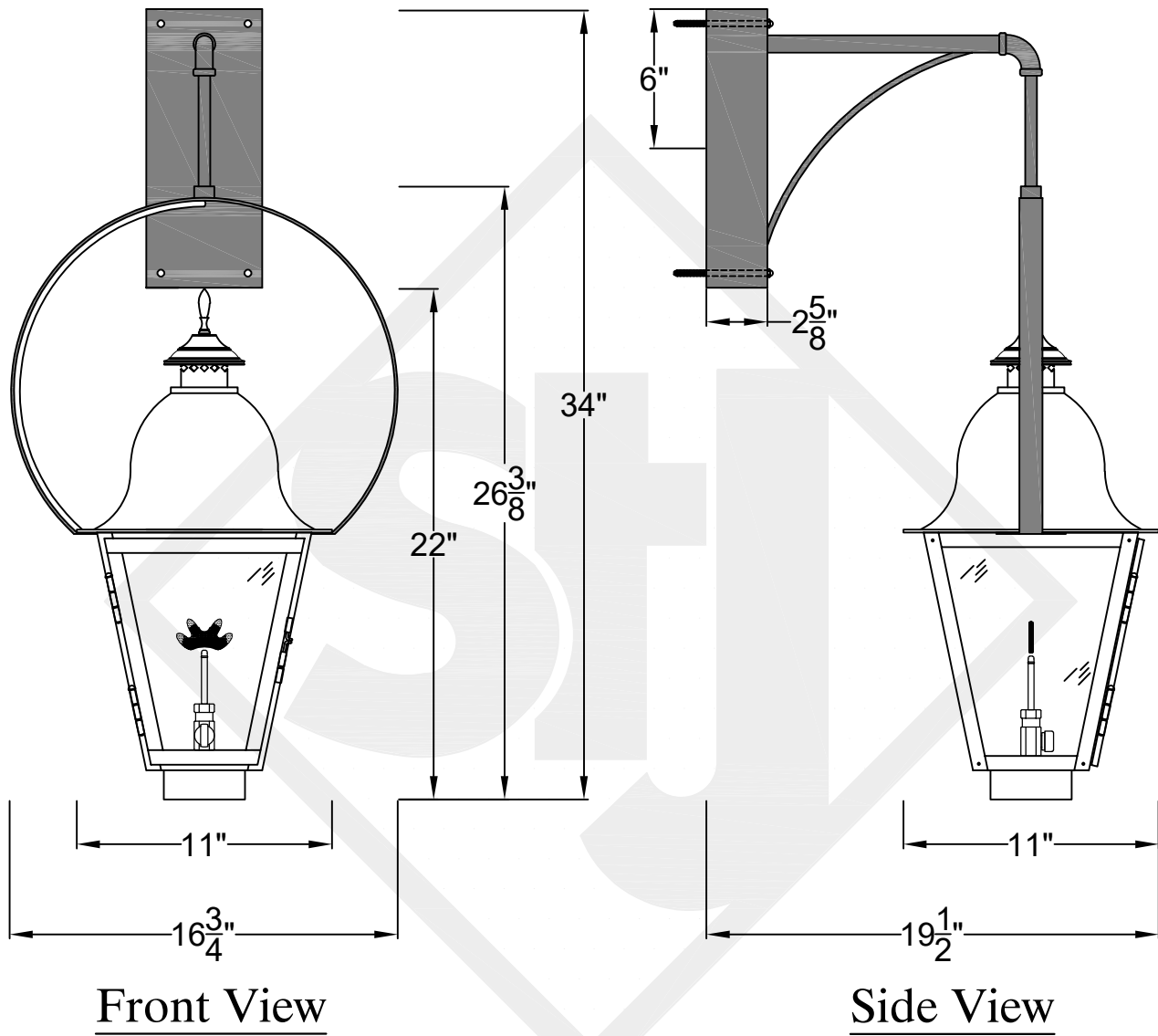
Lights are handcrafted.
Dimensions may vary by 1/4"

UL Certified
Candelabra- Max 60 Watt Bulb
Edison- Max 660 Watt Bulb

Mini not Available in Gas

QUEBEC SMALL WALL MOUNT HALF YOKE

Shortest Height 30 ³/₄"



Backplate



**St. James
LIGHTING**

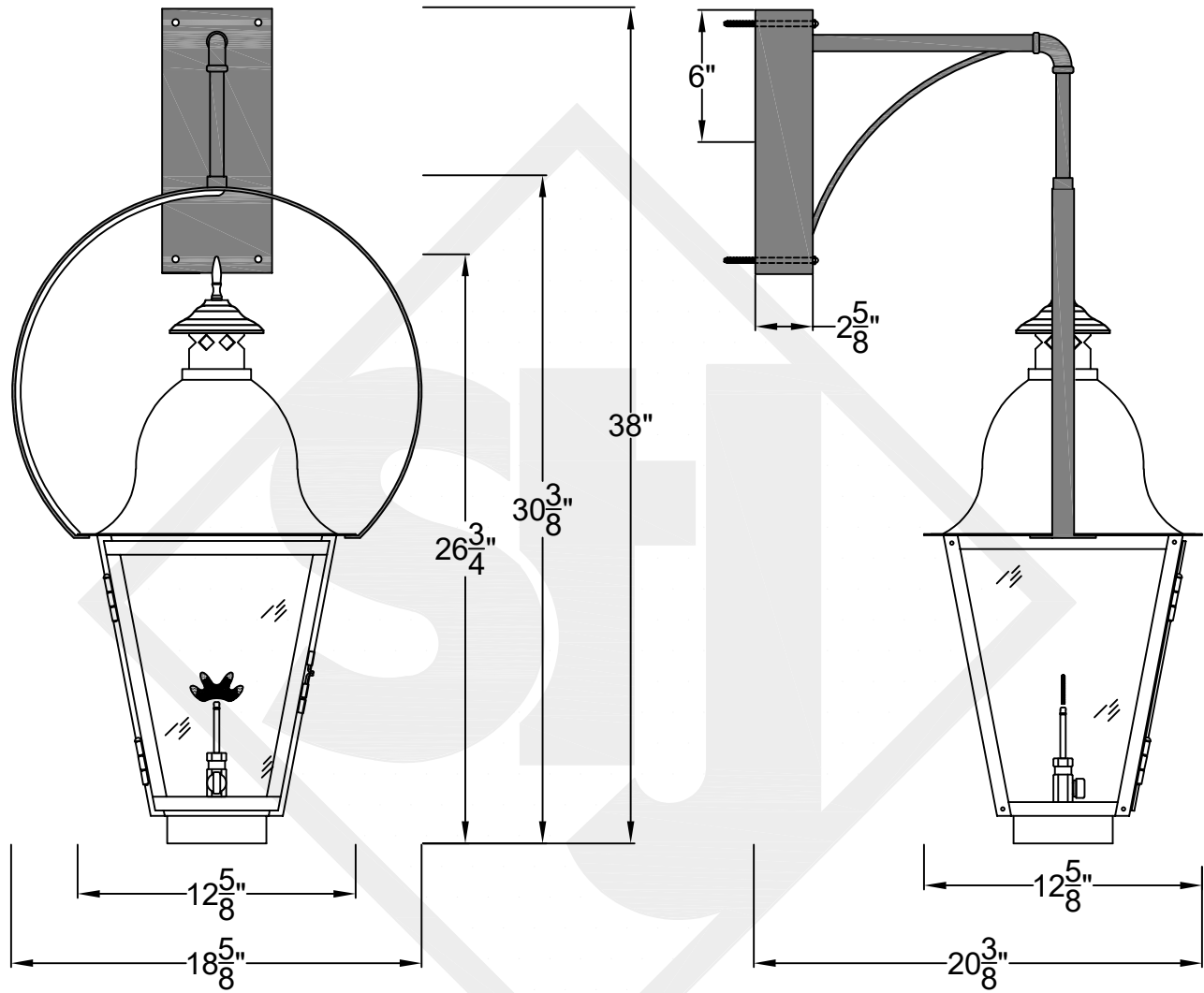
SCALE: N.T.S.	DRAFT: T. Herring
FILE: QUES	APP'D: J. Ragan
JOB: X	DATE: 8-28-2023

Lights are handcrafted.
Dimensions may vary by 1/4"

B.T.U. Rating
Natural Gas: 2730 B.T.U.
Propane: 2080 B.T.U.

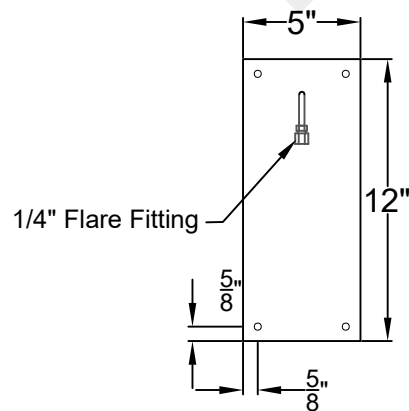
QUEBEC MEDIUM WALL MOUNT HALF YOKE

Shortest Height 35 ¹/₄"



Front View

Side View



Backplate



St. James
LIGHTING

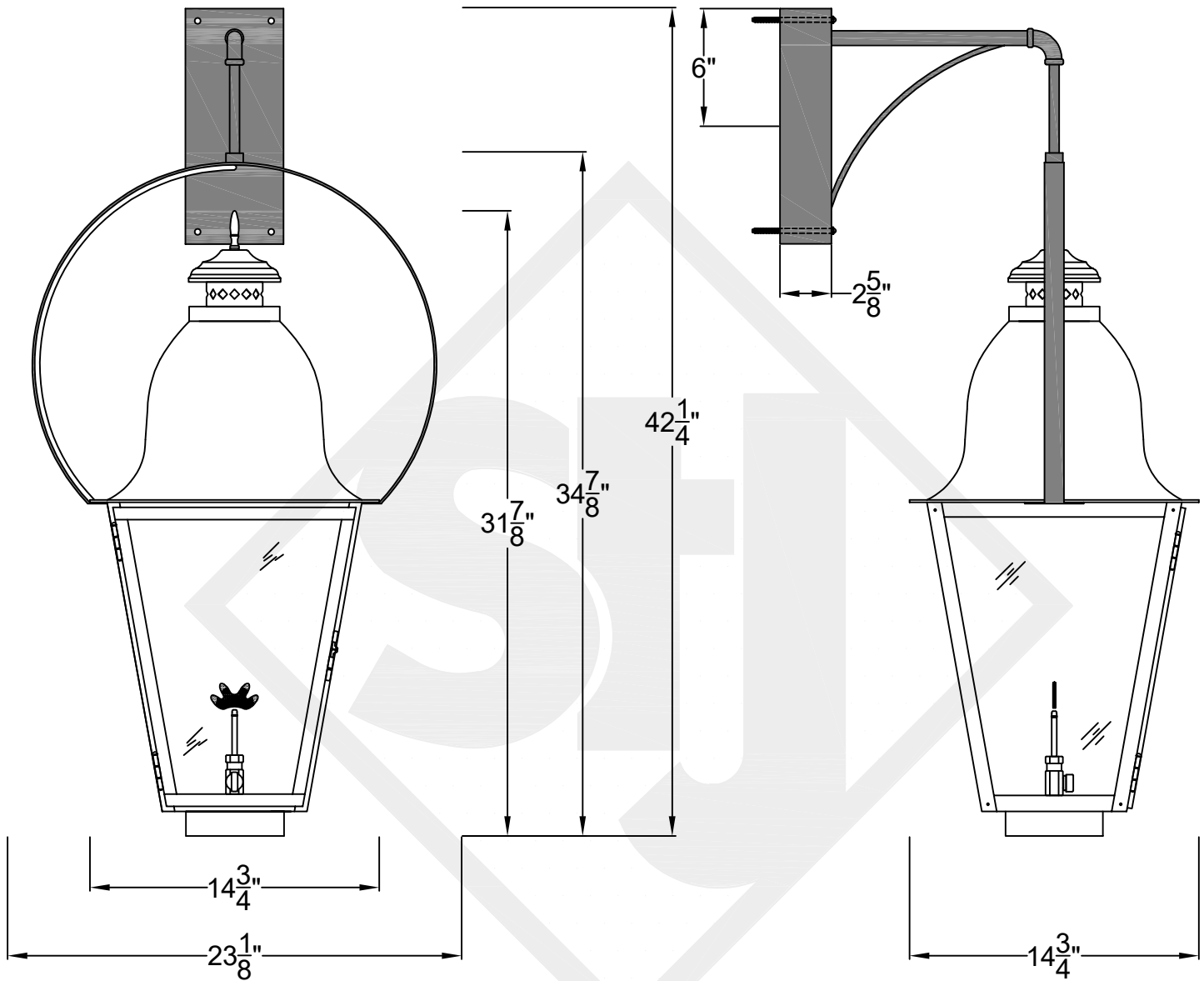
SCALE: N.T.S.	DRAFT: T. Herring
FILE: QUEM	APP'D: J. Ragan
JOB: X	DATE: 8-21-2023

Lights are handcrafted.
Dimensions may vary by 1/4"

B.T.U. Rating
Natural Gas: 2730 B.T.U.
Propane: 2080 B.T.U.

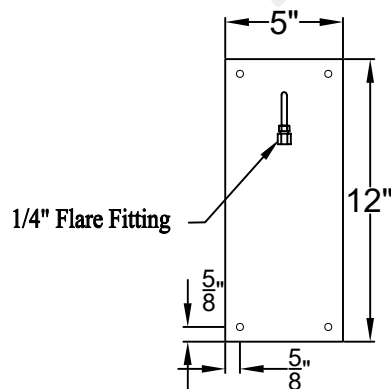
QUEBEC LARGE WALL MOUNT HALF YOKE

Shortest Height 40 1/4"



Front View

Side View



Backplate



St. James
LIGHTING

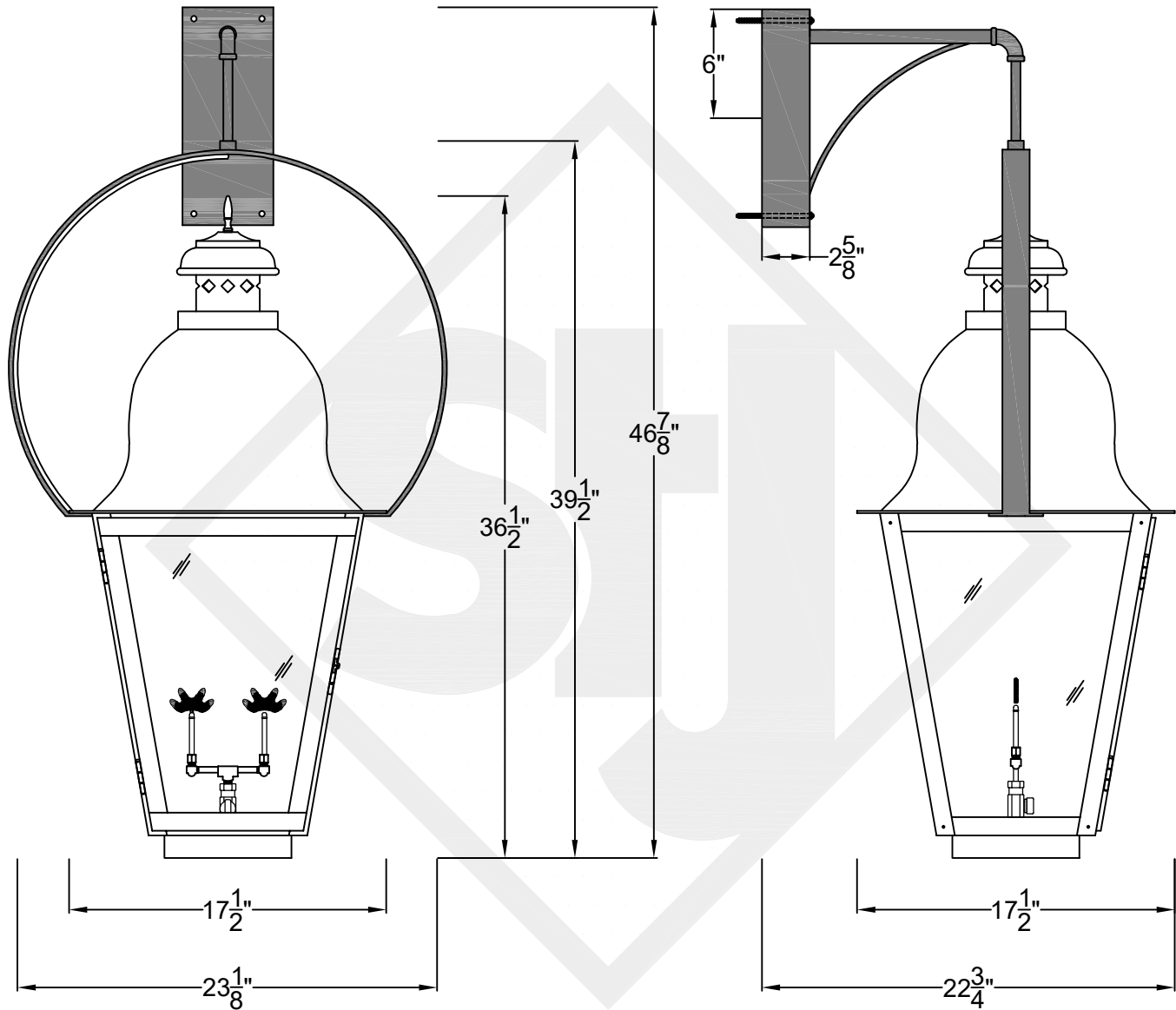
SCALE: N.T.S.	DRAFT: Y. McCullough
FILE: QUEL	APP'D: J. Ragan
JOB: X	DATE: 12/5/23

Lights are handcrafted.
Dimensions may vary by 1/4"

B.T.U. Rating
Natural Gas: 2730 B.T.U.
Propane: 2080 B.T.U.

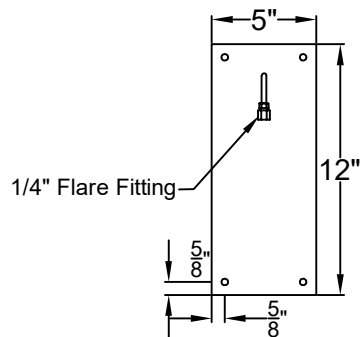
QUEBEC GRANDE WALL MOUNT HALF YOKE

Shortest Height 44 ¹/₈"



Front View

Side View



Backplate



St. James
LIGHTING

SCALE: N.T.S.	DRAFT: T. Herring
FILE: QUEG	APP'D: J. Ragan
JOB: X	DATE: 8-28-2023

Lights are handcrafted.
Dimensions may vary by 1/4"

B.T.U. Rating
Natural Gas: 5460 B.T.U.
Propane: 4160 B.T.U.