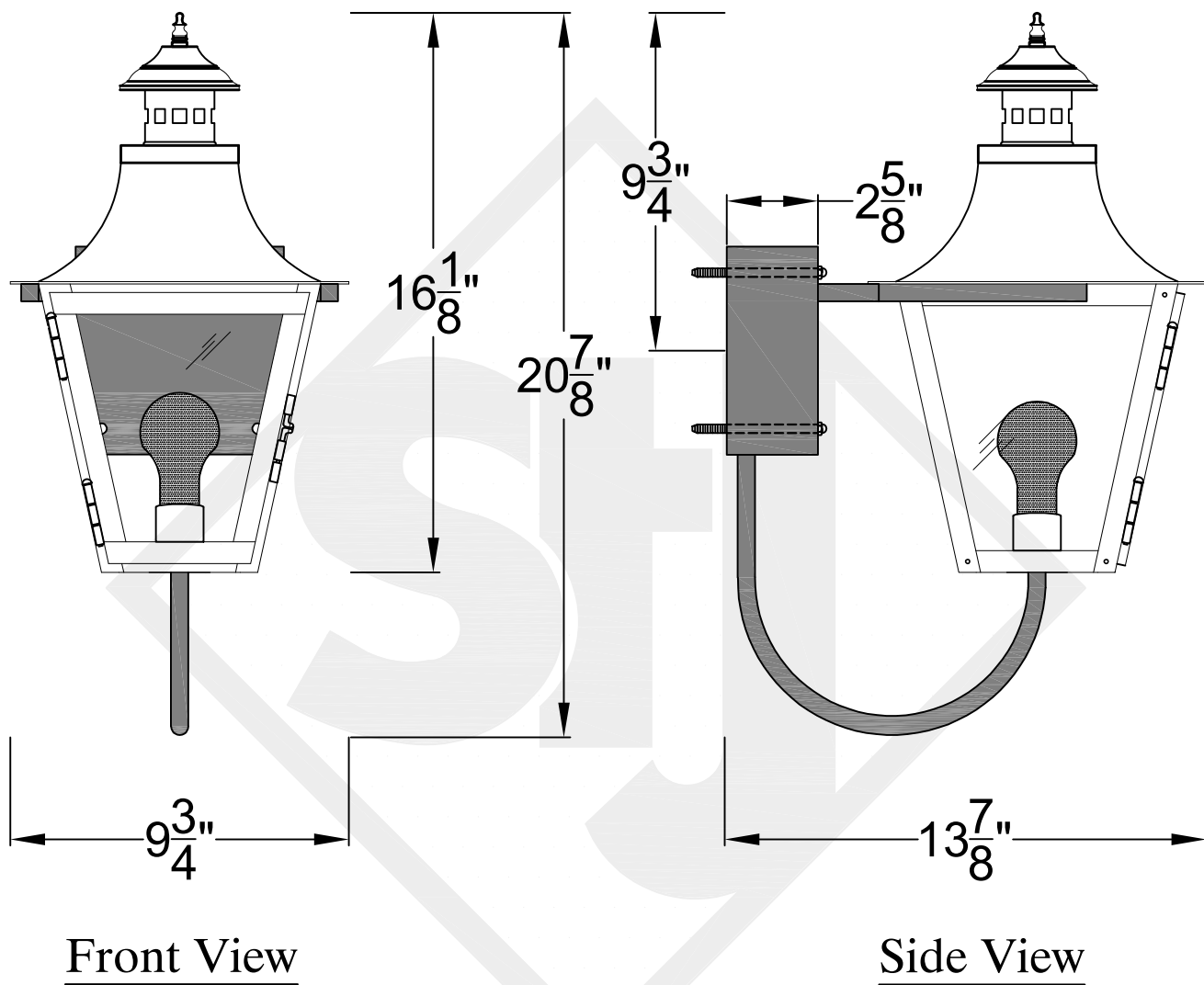
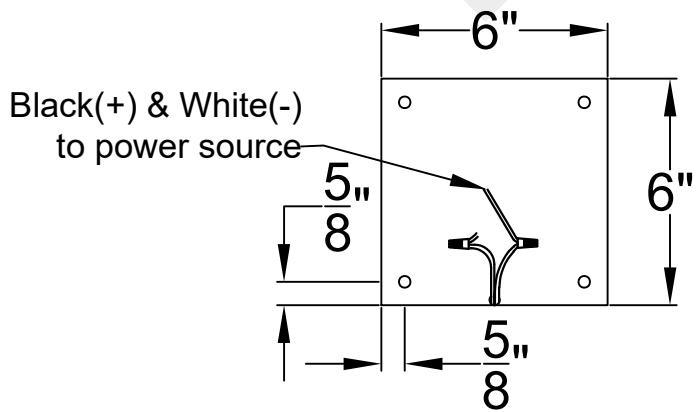


# MONTROSE MINI STEEL WALL MOUNT



Front View

Side View



Backplate



**St. James  
LIGHTING**

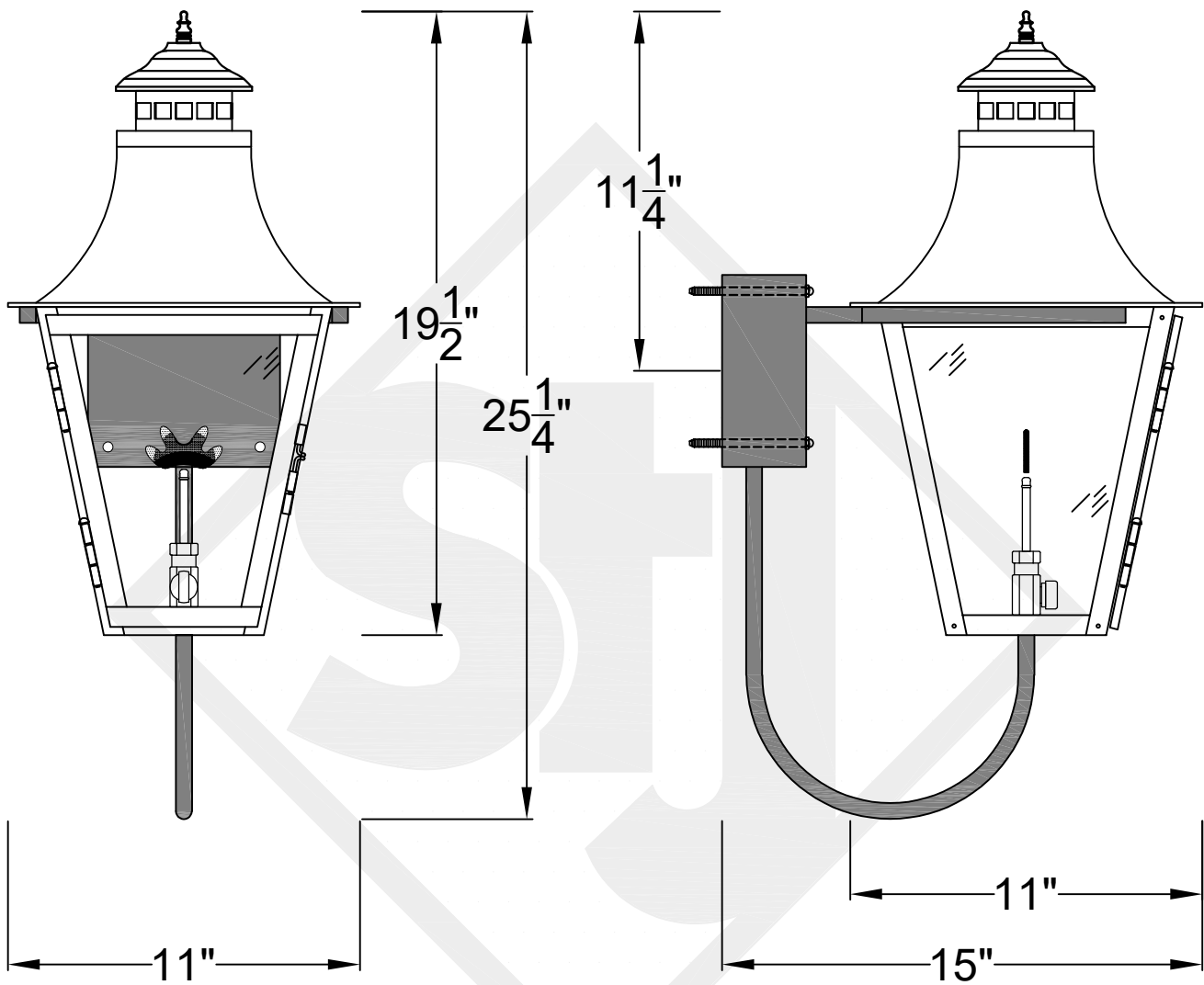
SCALE: N.T.S.	DRAFT: Y. McCullough
FILE: MONMINI	APP'D: J. Ragan
JOB: X	DATE: 11/20/23

Lights are handcrafted.  
Dimensions may vary by 1/4"

Mini not Available in Gas

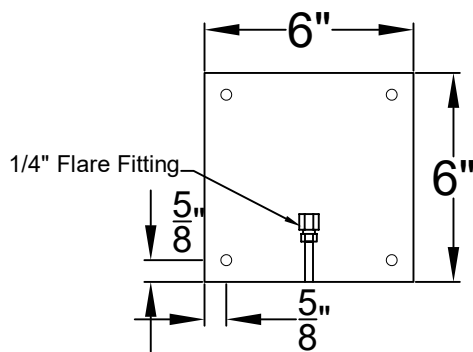
UL Certified  
Candelabra- Max 60 Watt Bulb  
Edison- Max 660 Watt Bulb

# MONTROSE SMALL STEEL WALL MOUNT



Front View

Side View



Backplate



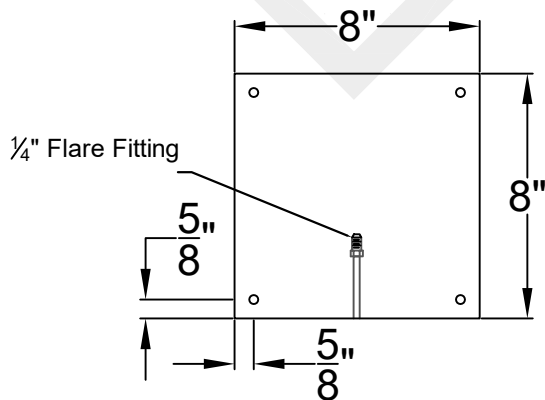
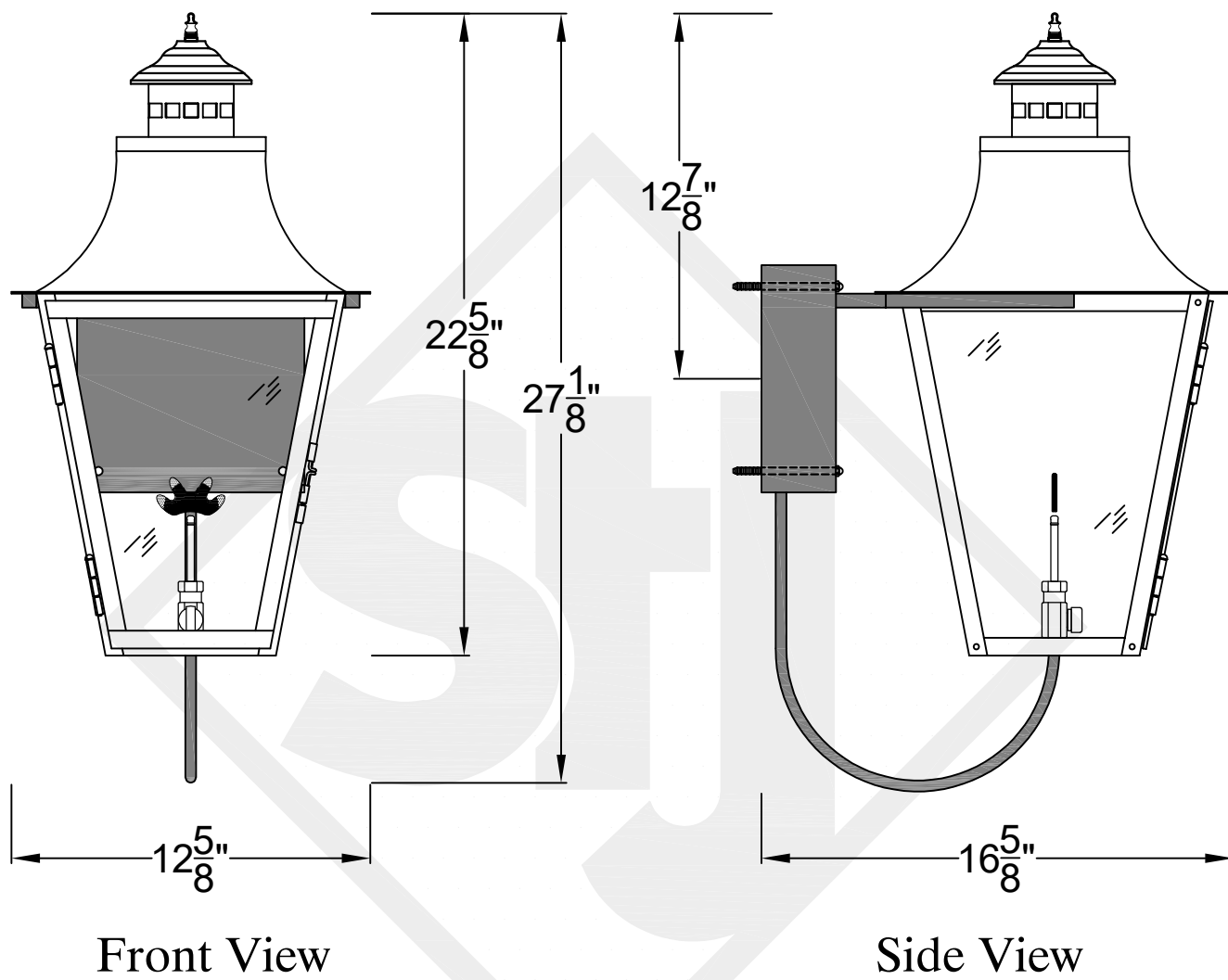
St. James  
LIGHTING

SCALE: N.T.S.	DRAFT: Y. McCullough
FILE: MONS	APP'D: J. Ragan
JOB: X	DATE: 11/20/23

Lights are handcrafted.  
Dimensions may vary by 1/4"

B.T.U. Rating  
Natural Gas: 2730 B.T.U.  
Propane: 2080 B.T.U.

# MONTROSE MEDIUM STEEL WALL MOUNT



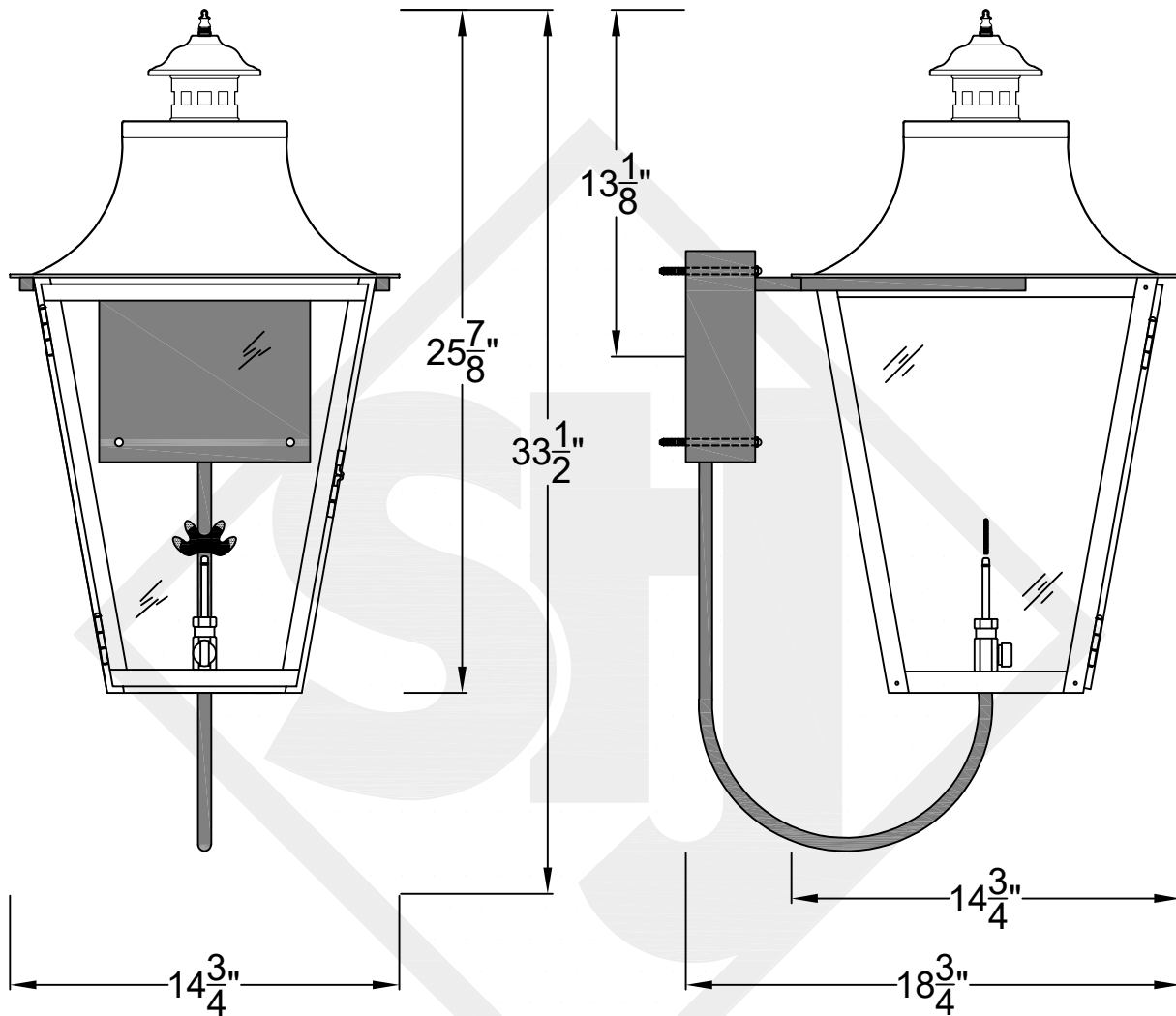
**St. James  
LIGHTING**

SCALE: N.T.S.	DRAFT: Y. McCullough
FILE: MONM	APP'D: J. Ragan
JOB: X	DATE: 11/20/23

Lights are handcrafted.  
Dimensions may vary by 1/4"

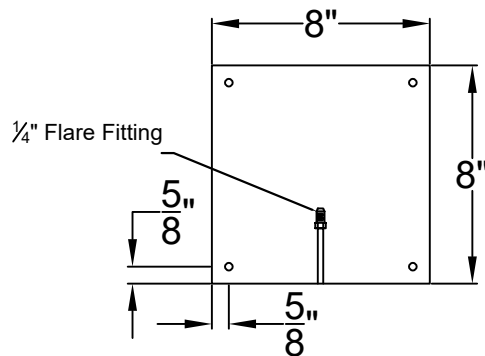
B.T.U. Rating  
Natural Gas: 2730 B.T.U.  
Propane: 2080 B.T.U.

# MONTROSE LARGE STEEL WALL MOUNT



Front View

Side View



Backplate



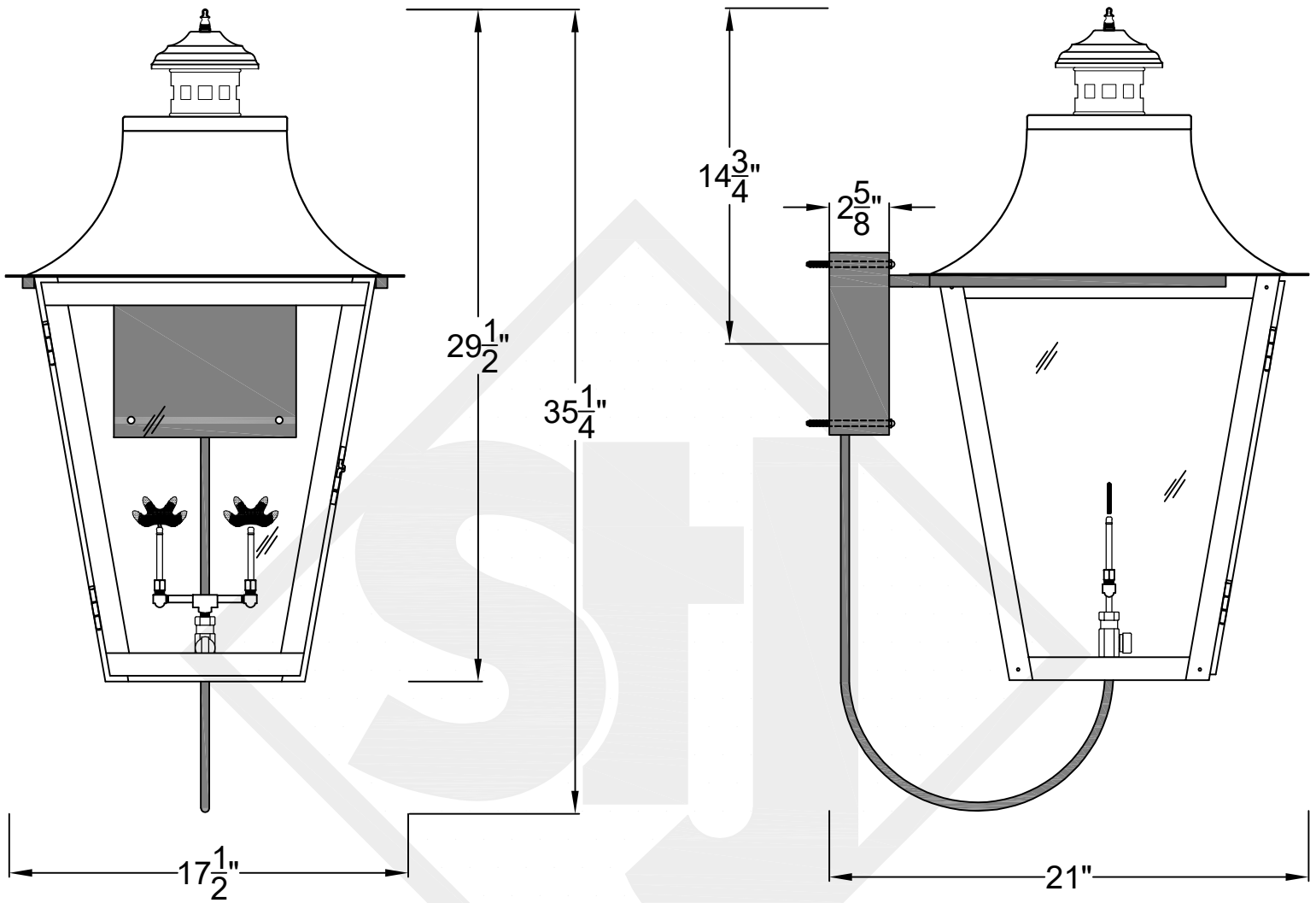
St. James  
LIGHTING

SCALE: N.T.S.	DRAFT: Y. McCullough
FILE: MONL	APP'D: J. Ragan
JOB: X	DATE: 11/20/23

Lights are handcrafted.  
Dimensions may vary by 1/4"

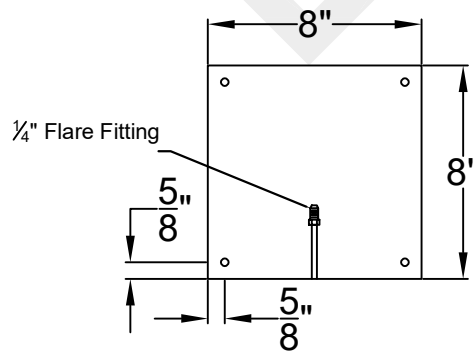
B.T.U. Rating  
Natural Gas: 2730 B.T.U.  
Propane: 2080 B.T.U.

# MONTROSE GRANDE STEEL WALL MOUNT



Front View

Side View



Backplate



St. James  
LIGHTING

SCALE: N.T.S.	DRAFT: Y. McCullough
FILE: MONG	APP'D: J. Ragan
JOB: X	DATE: 11/20/23

Lights are handcrafted.  
Dimensions may vary by 1/4"

B.T.U. Rating  
Natural Gas: 5460 B.T.U.  
Propane: 4160 B.T.U.