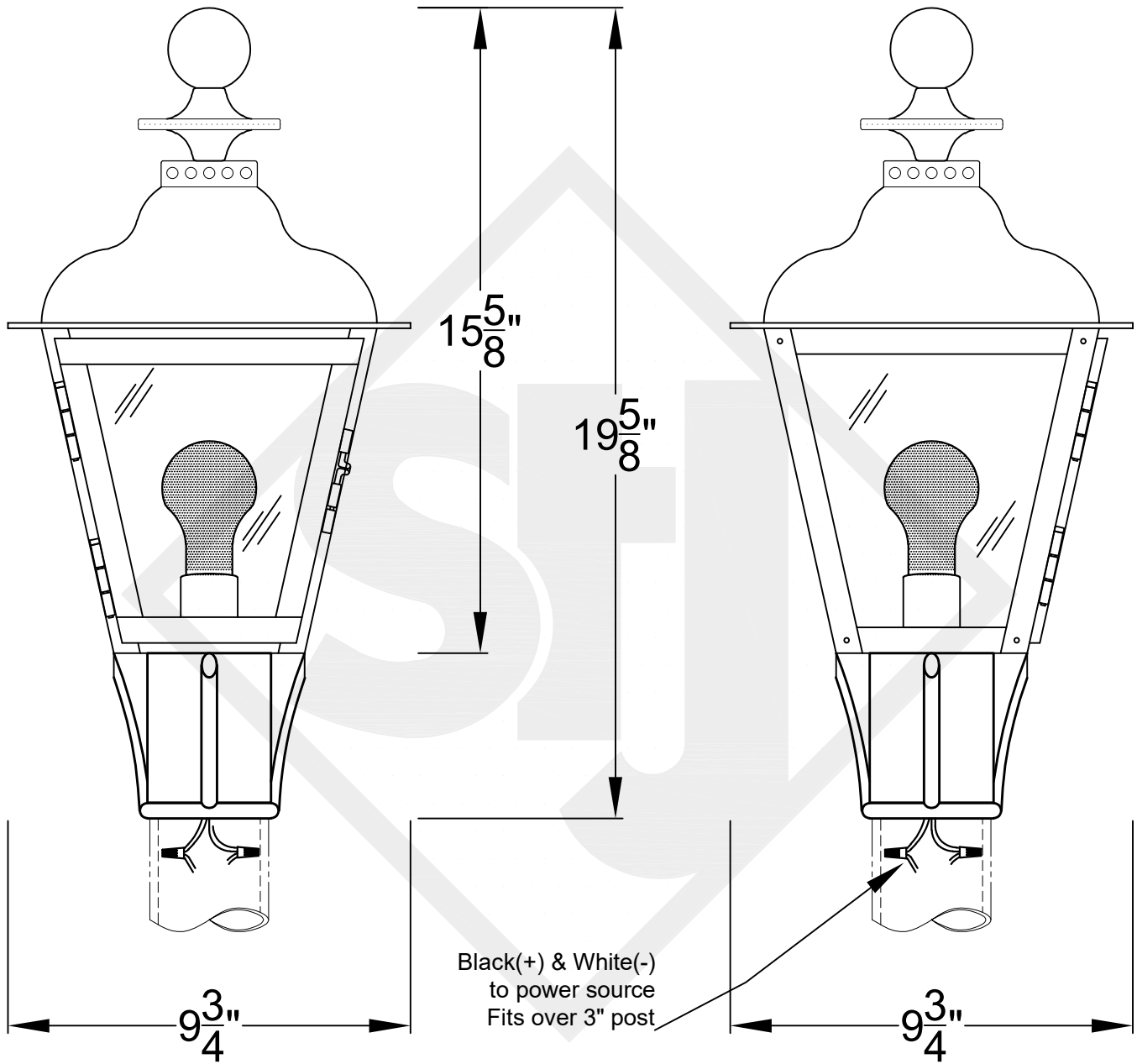


BRUNSWICK MINI COPPER POST MOUNT



Front View

Side View



St. James
LIGHTING

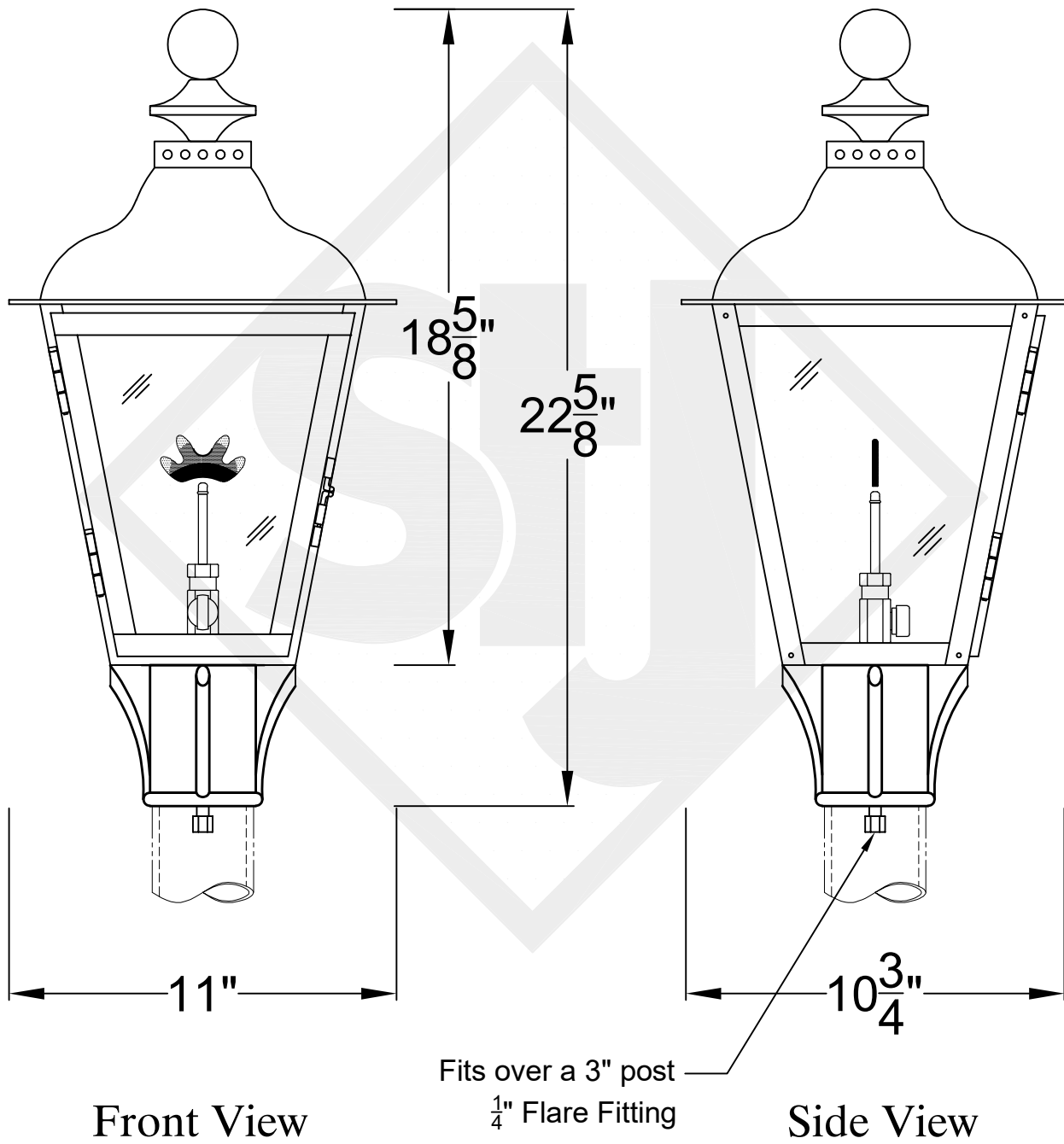
SCALE: N.T.S.	DRAFT: T. Herring
FILE: BRUMINI	APP'D: J. Ragan
JOB: X	DATE: 3-22-2023

Lights are handcrafted.
Dimensions may vary by 1/4"

Mini not Available in Gas

UL Certified
Candelabra- Max 60 Watt Bulb
Edison- Max 660 Watt Bulb

BRUNSWICK SMALL COPPER POST MOUNT



Front View

Side View

Fits over a 3" post
 $\frac{1}{4}$ " Flare Fitting



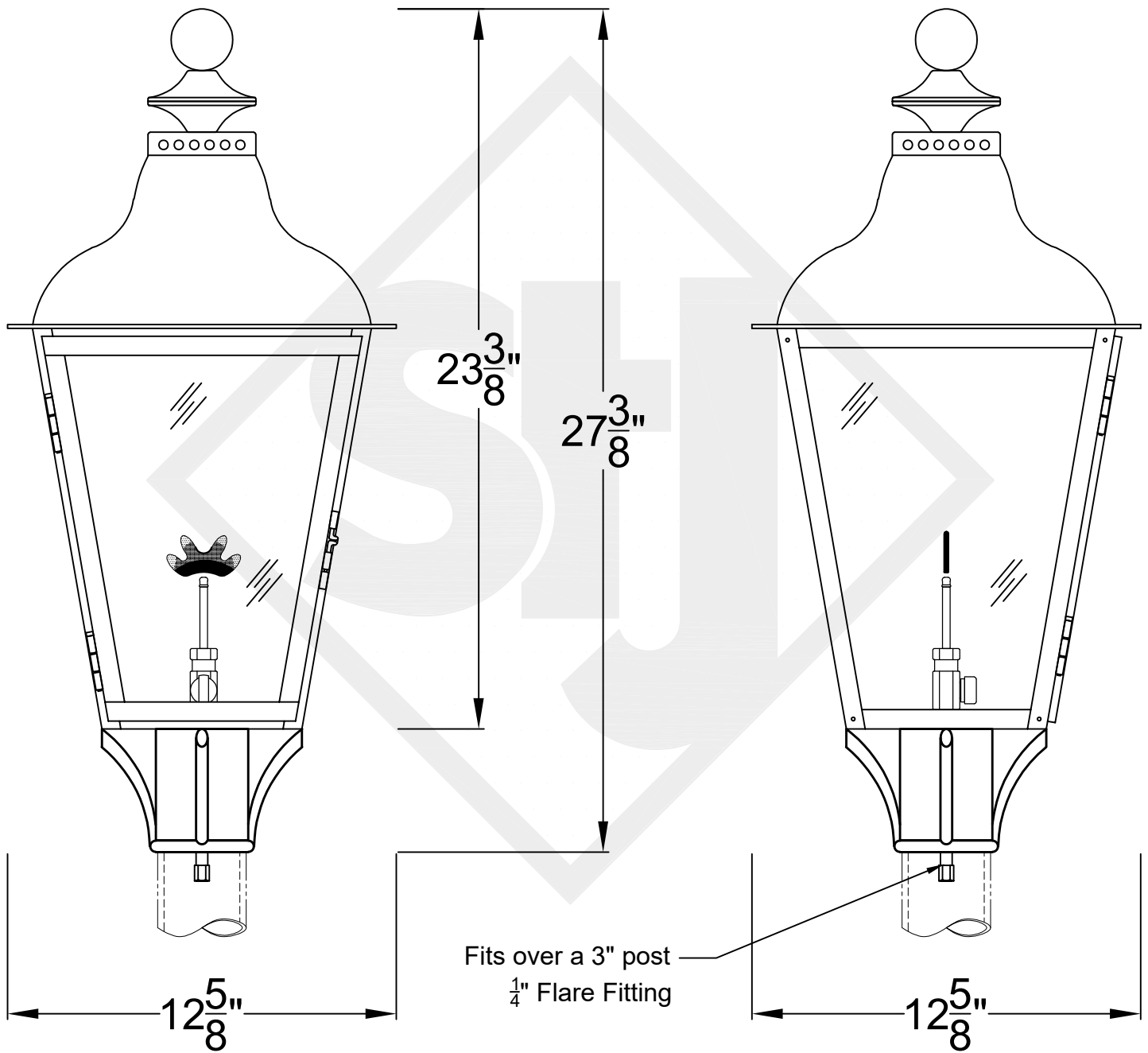
St. James
LIGHTING

SCALE: N.T.S.	DRAFT: T. Herring
FILE: BRUS	APP'D: J. Ragan
JOB: X	DATE: 3-20-2023

Lights are handcrafted.
Dimensions may vary by 1/4"

B.T.U. Rating
Natural Gas: 2730 B.T.U.
Propane: 2080 B.T.U.

BRUNSWICK MEDIUM COPPER POST MOUNT



Front View

Side View



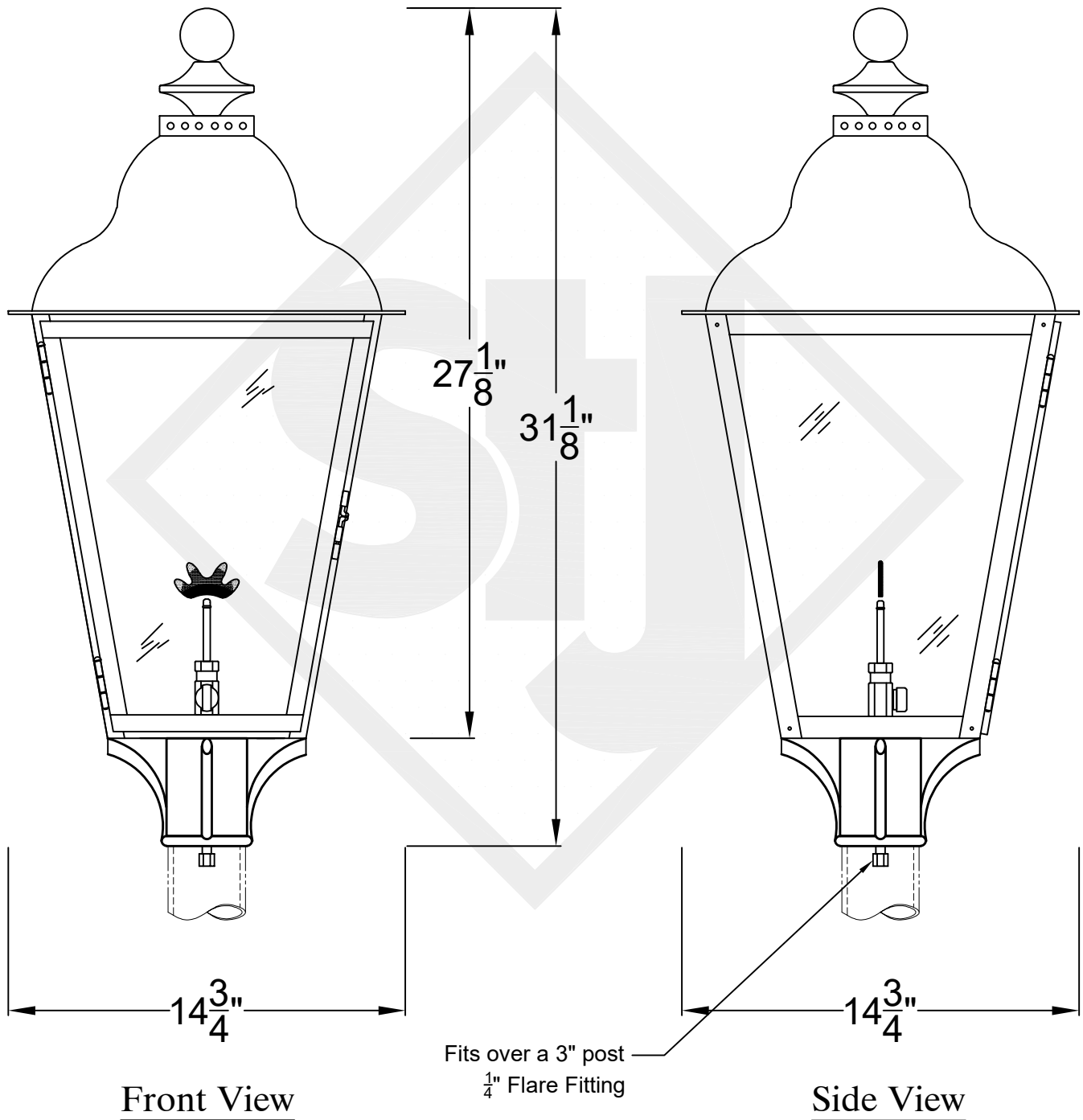
St. James
LIGHTING

SCALE: N.T.S. DRAFT: T. Herring
FILE: BRUM APP'D: J. Ragan
JOB: X DATE: 3-22-2023

Lights are handcrafted.
Dimensions may vary by 1/4"

B.T.U. Rating
Natural Gas: 2730 B.T.U.
Propane: 2080 B.T.U.

BRUNSWICK LARGE COPPER POST MOUNT



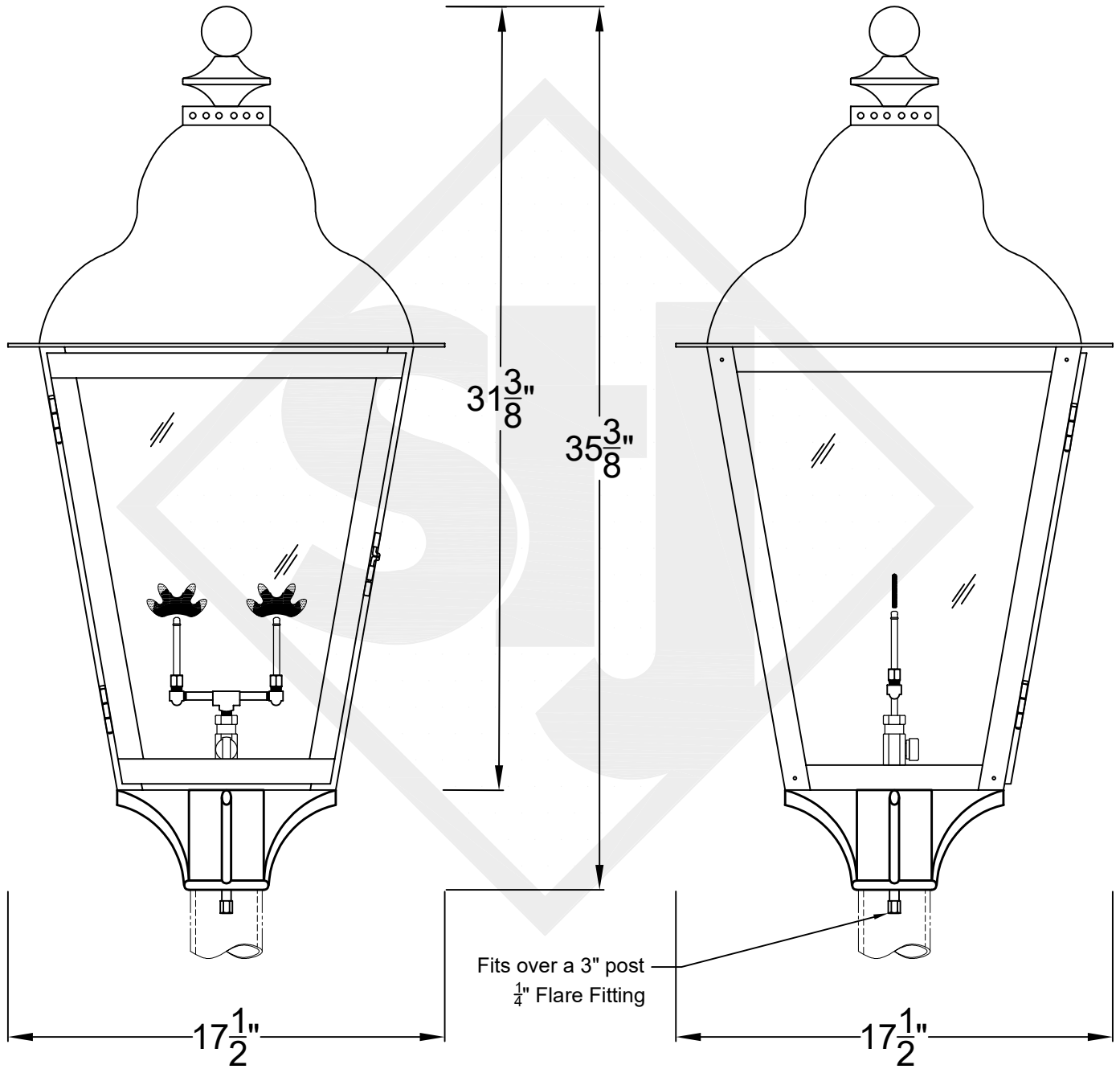
St. James
LIGHTING

SCALE: N.T.S.	DRAFT: T. Herring
FILE: BRUL	APP'D: J. Ragan
JOB: X	DATE: 3-22-2023

Lights are handcrafted.
Dimensions may vary by 1/4"

B.T.U. Rating
Natural Gas: 2730 B.T.U.
Propane: 2080 B.T.U.

BRUNSWICK GRANDE COPPER POST MOUNT



Front View

Side View



St. James
LIGHTING

SCALE: N.T.S.	DRAFT: Y. McCullough
FILE: BRUG	APP'D: J. Ragan
JOB: X	DATE: 11/18/23

Lights are handcrafted.
Dimensions may vary by 1/4"

B.T.U. Rating
Natural Gas: 5460 B.T.U.
Propane: 4160 B.T.U.