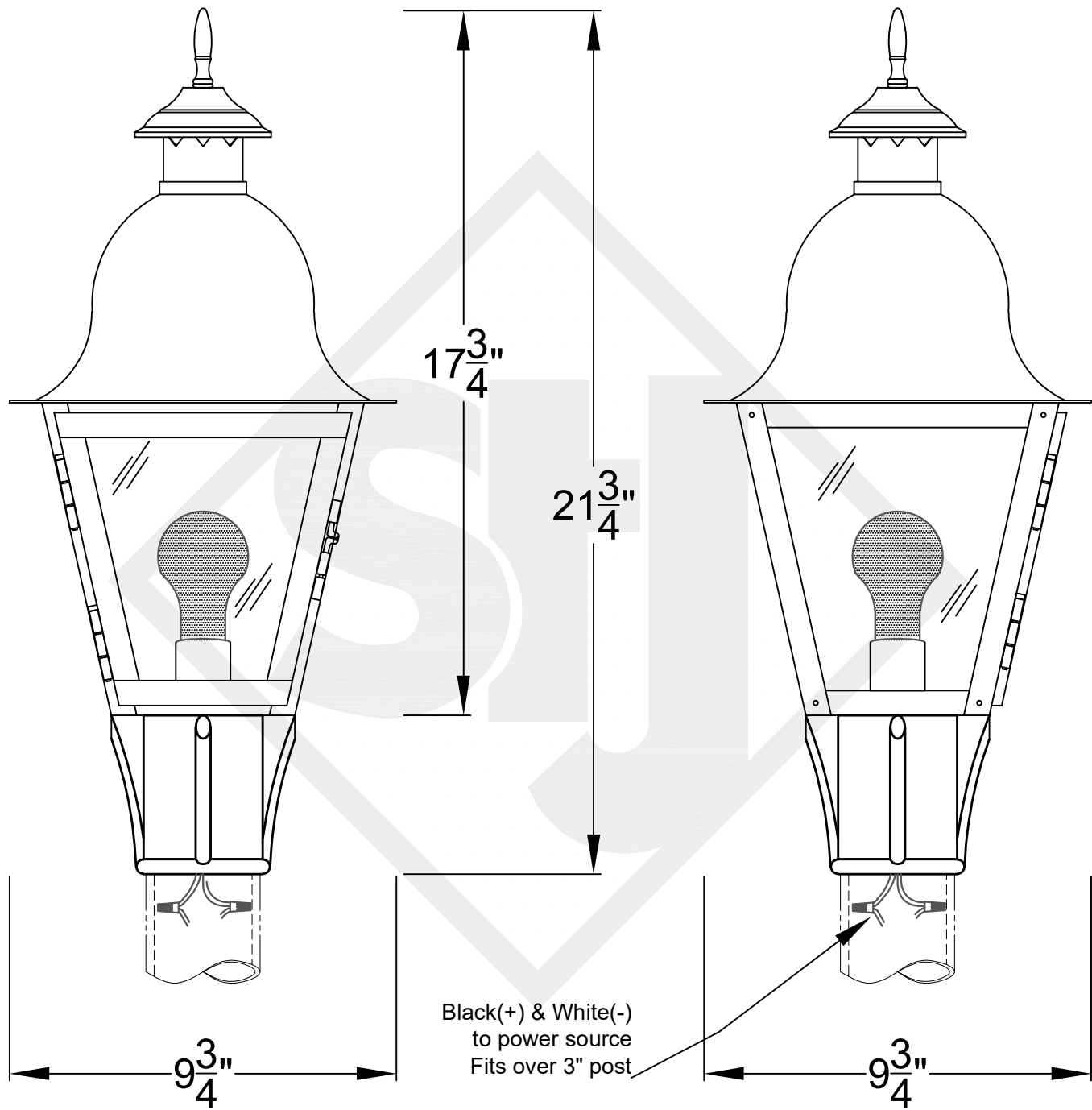


# QUEBEC MINI COPPER POST MOUNT



Front View

Side View



St. James  
LIGHTING

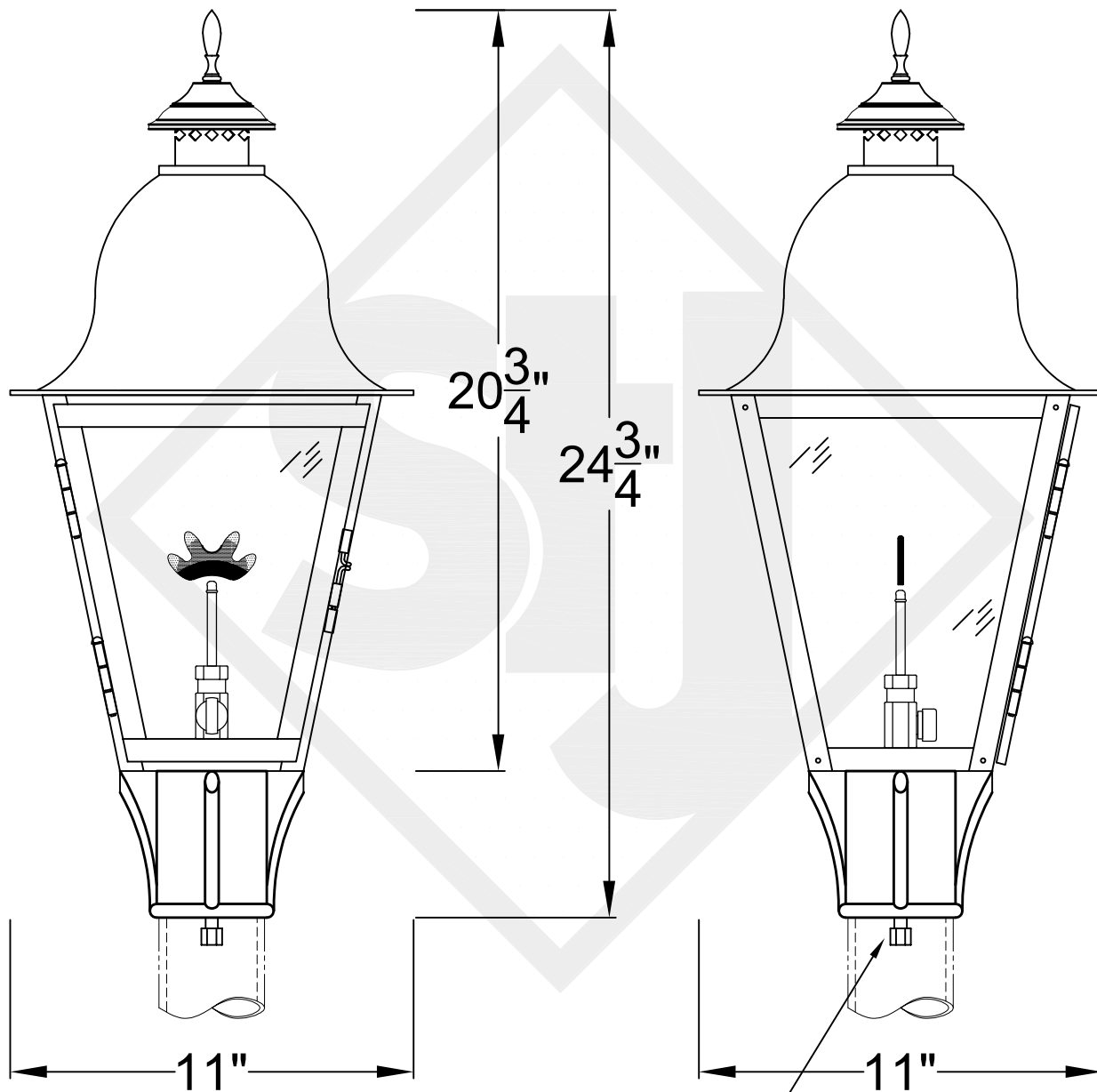
SCALE: N.T.S.	DRAFT: T. Herring
FILE: QUEMINI	APP'D: J. Ragan
JOB: X	DATE: 5-3-2023

Lights are handcrafted.  
Dimensions may vary by 1/4"

**Mini not Available in Gas**

UL Certified  
Candelabra- Max 60 Watt Bulb  
Edison- Max 660 Watt Bulb

# QUEBEC SMALL COPPER POST MOUNT



Front View

Side View

Fits over a 3" post  
 $\frac{1}{4}$ " Flare Fitting



**St. James  
LIGHTING**

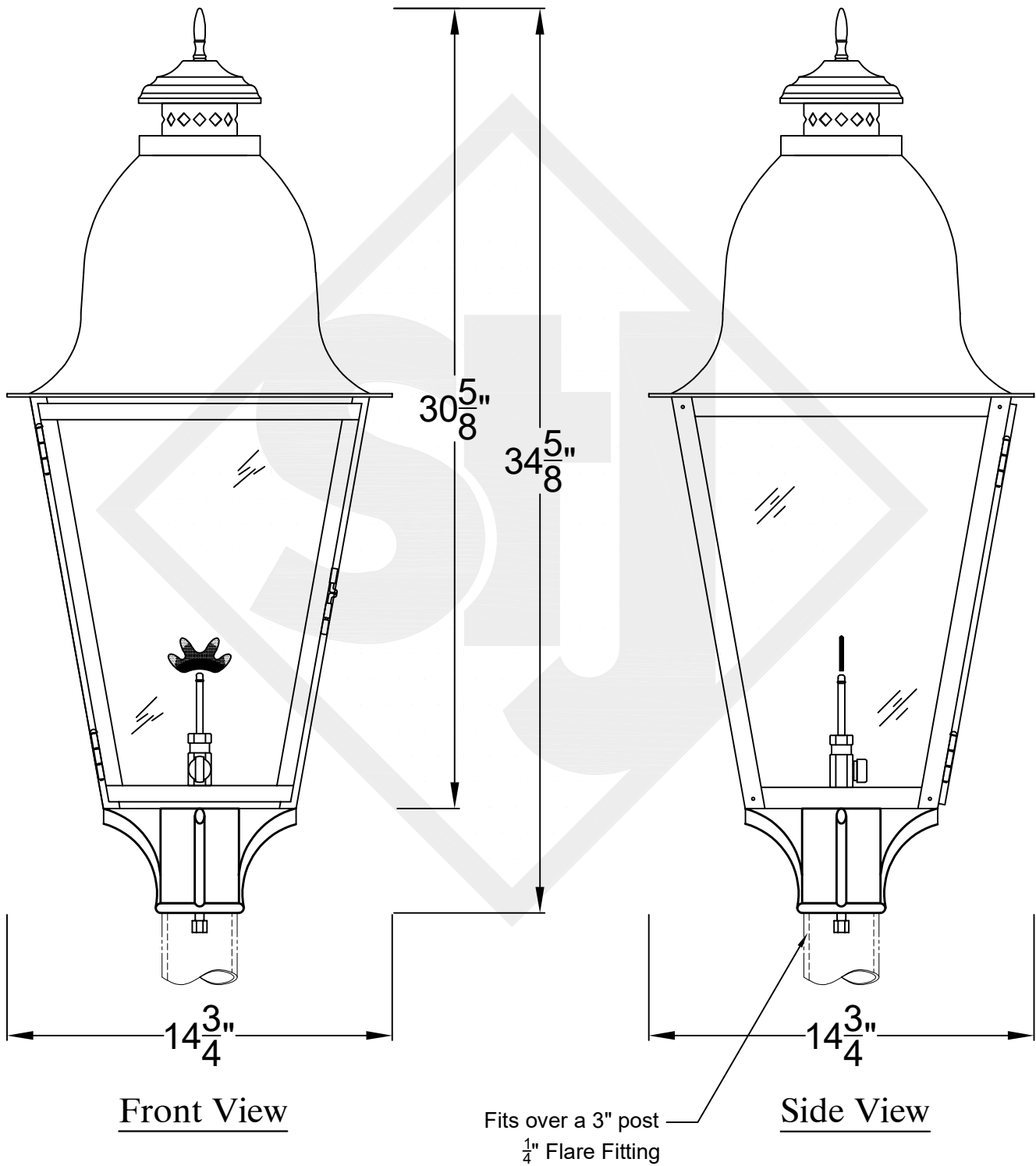
SCALE: N.T.S.	DRAFT: T. Herring
FILE: QUES	APP'D: J. Ragan
JOB: X	DATE: 8-28-2023

Lights are handcrafted.  
Dimensions may vary by 1/4"

B.T.U. Rating  
Natural Gas: 2730 B.T.U.  
Propane: 2080 B.T.U.



# QUEBEC LARGE COPPER POST MOUNT



Front View

Side View

Fits over a 3" post  
 $\frac{1}{4}$ " Flare Fitting



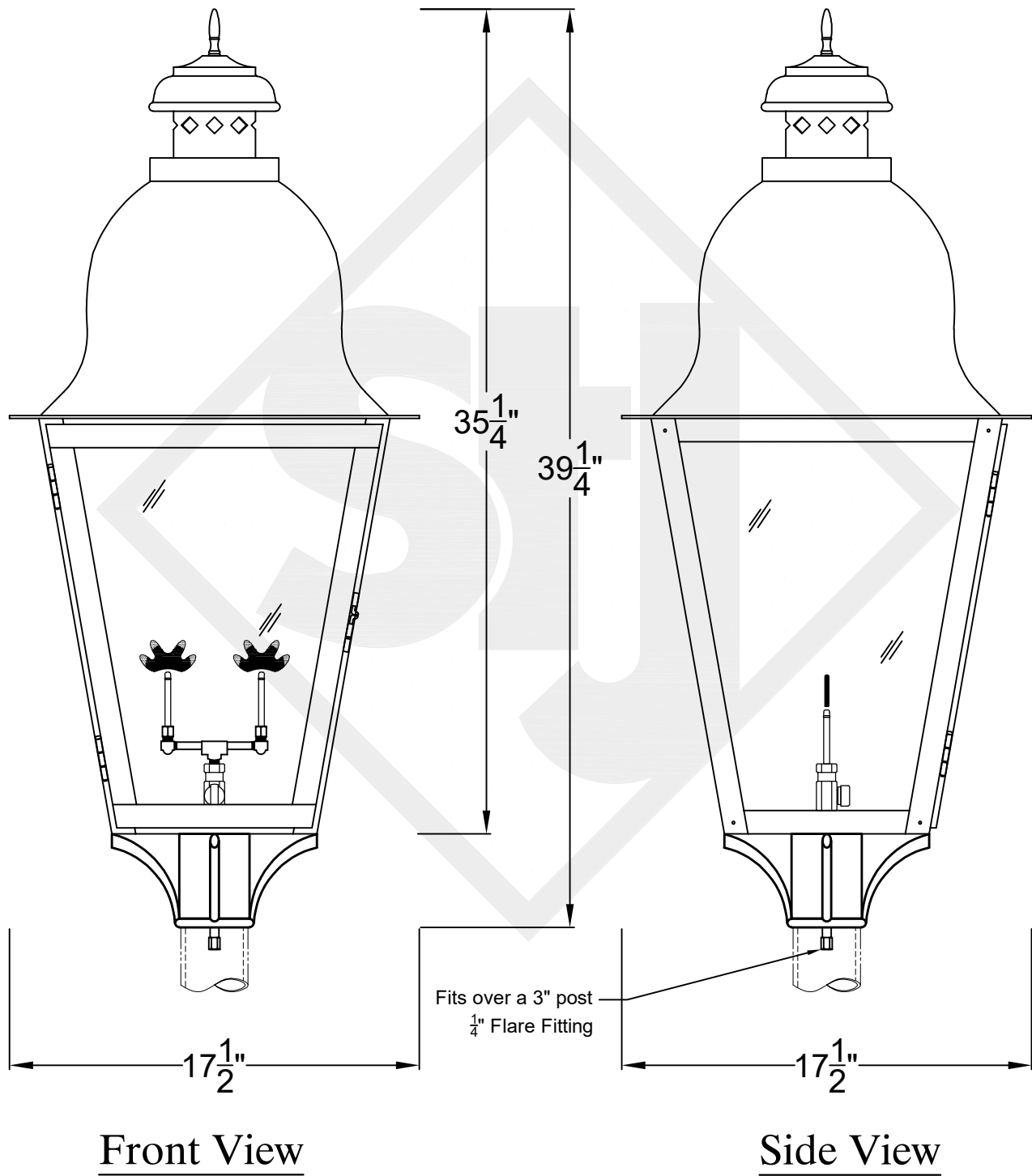
St. James  
LIGHTING

SCALE: N.T.S.      DRAFT: T. Herring  
FILE: QUEL        APP'D: J. Ragan  
JOB: X              DATE: 3-17-2023

Lights are handcrafted.  
Dimensions may vary by 1/4"

B.T.U. Rating  
Natural Gas: 2730 B.T.U.  
Propane: 2080 B.T.U.

# QUEBEC GRANDE COPPER POST MOUNT



Front View

Side View



St. James  
LIGHTING

SCALE: N.T.S.      DRAFT: T. Herring  
FILE: QUEG        APP'D: J. Ragan  
JOB: X              DATE: 3-20-2023

Lights are handcrafted.  
Dimensions may vary by  $\frac{1}{4}$ "

B.T.U. Rating  
Natural Gas: 5460 B.T.U.  
Propane: 4160 B.T.U.