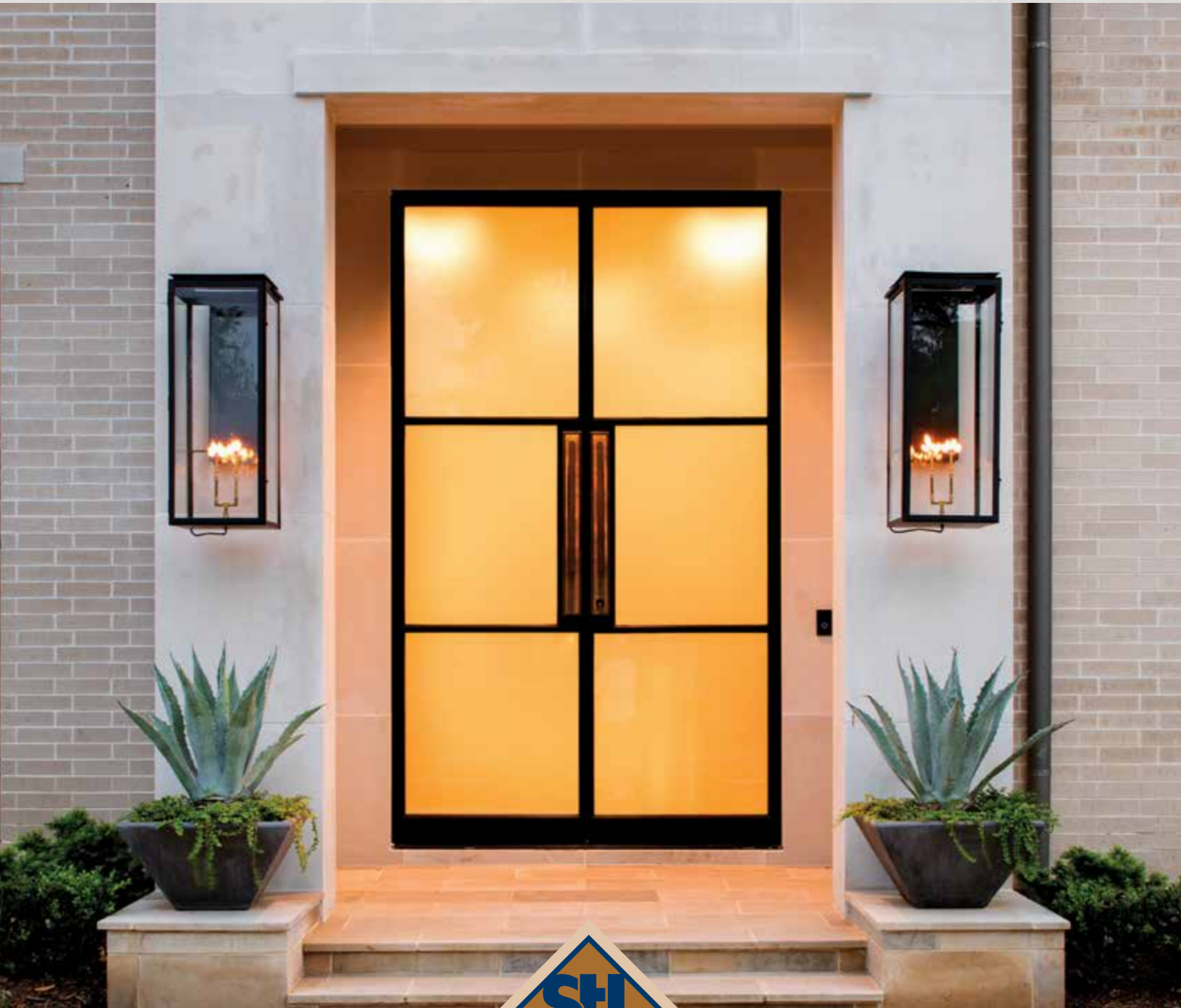


The Brightest Ideas Start Here



St. James
LIGHTING



CUSTOM LIGHTING REDEFINED

St. James Lighting is a true custom lighting resource, taking you seamlessly from concept to completion. At St. James Lighting, our talented artisans have been designing and manufacturing beautiful custom copper lighting in Columbia, Mississippi since 2008. St. James Lighting can be found in homes, businesses, and neighborhoods across North America. Our dedicated, client focused team includes in-house designers, engineers, tooling, and manufacturing. Our customers appreciate the creativity, quality, and detailed design hand crafted into each piece we produce. Our products are designed to integrate performance with style. Exceeding our client's expectations for quality, service, and artful design is what we thrive on.

We don't just make lights....we make lights for YOU!

St. James
LIGHTING

1491 Hwy 13 N | Columbia, MS 39429 | www.stjameslighting.com | 1-601-444-4966 | 1-877-448-4966



MADE IN AMERICA

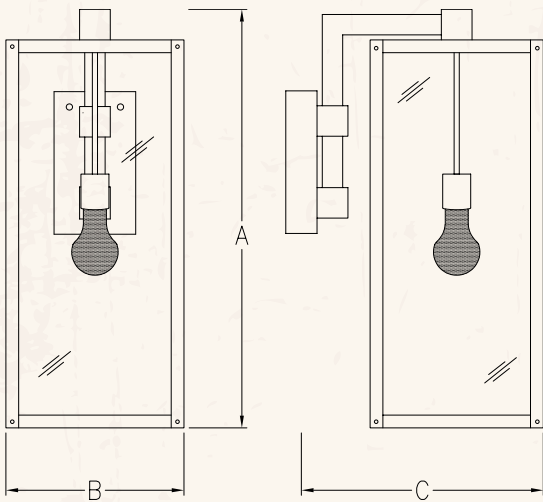
LANTERN S



ASHLEY



Shown with optional black powder coat



SPECS

	A	B	C
MINI	13 ½	6 ¾	10 ⅞
SMALL	17 ½	6 ¾	10 ⅞
MEDIUM	20 ½	8 ¾	11 ⅞
LARGE	23 ½	10 ½	14 ⅝
GRANDE	28 ¾	12 ¼	16 ⅝

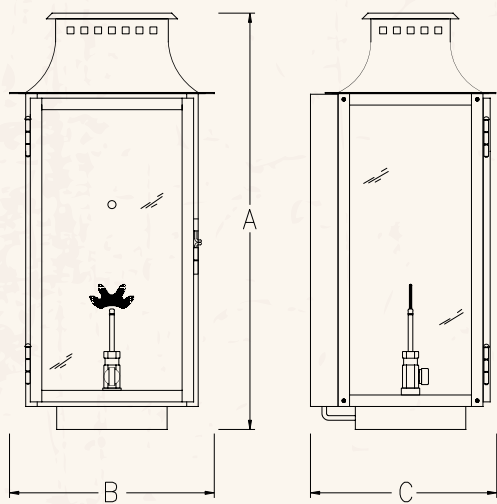
*MINI IS ONLY AVAILABLE IN ELECTRIC

OPEN FLAME: Natural Gas or Propane Gas, ELECTRIC: Candelabra or Edison Base, OPTIONAL: 120V Automatic Ignition
AVAILABLE BRACKETS: Steel Wall Mount

ASPEN



Shown with standard options



SPECS

	A	B	C
MINI	14	10	7 ⁵ / ₈
SMALL	19 ¹ / ₈	10	8 ¹ / ₂
MEDIUM	22 ⁷ / ₈	11 ¹ / ₈	10 ³ / ₈
LARGE	27 ¹ / ₂	14	12 ¹ / ₂
GRANDE	33 ¹ / ₂	17 ³ / ₄	15 ¹ / ₂

*MINI IS ONLY AVAILABLE IN ELECTRIC

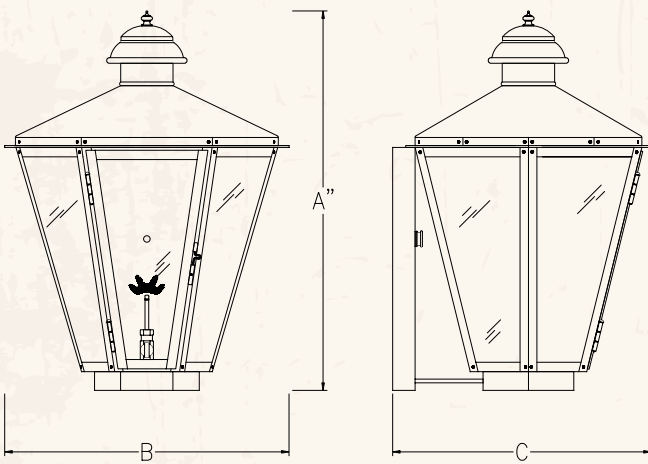
OPEN FLAME: Natural Gas or Propane Gas, ELECTRIC: Candelabra or Edison Base, OPTIONAL: 120V Automatic Ignition
 AVAILABLE BRACKETS: Copper Wall Mount, Steel Wall Mount, Copper Post Mount, Steel Post Mount.
 (Optional Brackets pg. 53) Yoke Mount, Half Yoke Mount, Wall Mount Yoke and Pendant.



BILOXI



Shown with optional chain hung pendant



SPECS

	A	B	C
MINI	17 ¼	12	11 ¼
SMALL	21	14 ¾	13 ⅝
MEDIUM	26	19 ⅝	18 ⅜
LARGE	32 ⅞	24 ¾	22 ½
GRANDE	35 ½	27 ¼	25 ⅞

AVAILABLE IN SOLID TOP OR GLASS TOP

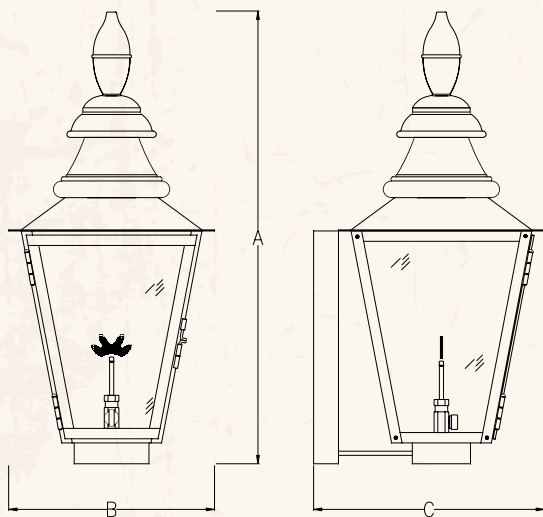
*MINI IS ONLY AVAILABLE IN ELECTRIC

OPEN FLAME: Natural Gas or Propane Gas, ELECTRIC: Candelabra or Edison Base, OPTIONAL: 120V Automatic Ignition
 AVAILABLE BRACKETS: Copper Wall Mount, Steel Wall Mount, Copper Post Mount, Steel Post Mount.
 (Optional Brackets pg. 53) Yoke Mount, Half Yoke Mount, Wall Mount Yoke and Pendant.

BIRMINGHAM



Shown with optional triple candelabra



SPECS

	A	B	C
MINI	N/A	N/A	N/A
SMALL	24 1/2	11	12 1/2
MEDIUM	27 1/8	12 5/8	14
LARGE	31 3/4	14 3/4	16 1/4
GRANDE	33 3/4	17 1/2	20 1/8

*MINI IS ONLY AVAILABLE IN ELECTRIC

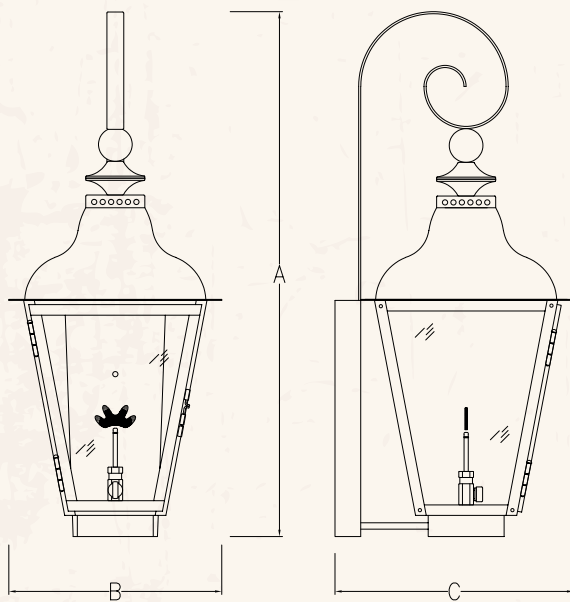
OPEN FLAME: Natural Gas or Propane Gas, ELECTRIC: Candelabra or Edison Base, OPTIONAL: 120V Automatic Ignition
 AVAILABLE BRACKETS: Copper Wall Mount, Steel Wall Mount, Copper Post Mount, Steel Post Mount.
 (Optional Brackets pg. 53) Yoke Mount, Half Yoke Mount, Wall Mount Yoke and Pendant.



BRUNSWICK



Shown with optional half yoke



SPECS

	A	B	C
MINI	21 5/8	9 3/4	11
SMALL	26 3/4	11	12 1/2
MEDIUM	30 3/4	12 5/8	14 1/8
LARGE	37	14 3/4	16 1/4
GRANDE	39 3/8	17 1/2	20 1/8

COMES STANDARD WITH TOP CURL

*MINI IS ONLY AVAILABLE IN ELECTRIC

OPEN FLAME: Natural Gas or Propane Gas, ELECTRIC: Candelabra or Edison Base, OPTIONAL: 120V Automatic Ignition
 AVAILABLE BRACKETS: Copper Wall Mount, Steel Wall Mount, Copper Post Mount, Steel Post Mount.
 (Optional Brackets pg. 53) Yoke Mount, Half Yoke Mount, Wall Mount Yoke and Pendant.

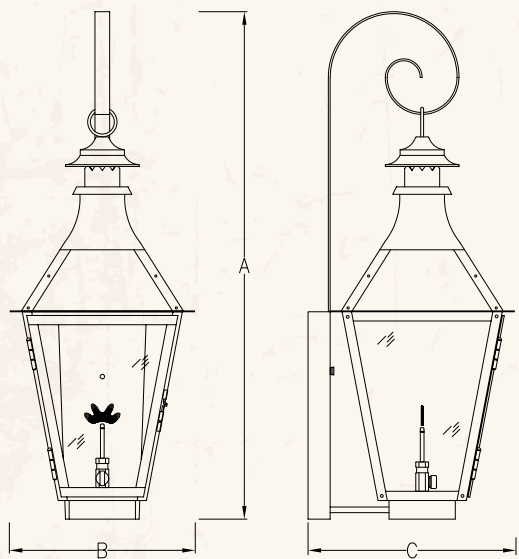




CHEESAPEAKE



Shown with optional copper post mount,
with PMAI mount and top ring



SPECS

	A	B	C
MINI	23 ¼	9 ¾	11
SMALL	29	11	12 ½
MEDIUM	34 ⅞	12 ⅝	14 ¼
LARGE	41	14 ¾	16 ¼
GRANDE	48	17 ½	20 ⅞

COMES STANDARD WITH TOP CURL
AVAILABLE IN SOLID TOP OR GLASS TOP
*MINI IS ONLY AVAILABLE IN ELECTRIC

OPEN FLAME: Natural Gas or Propane Gas, ELECTRIC: Candelabra or Edison Base, OPTIONAL: 120V Automatic Ignition
AVAILABLE BRACKETS: Copper Wall Mount, Steel Wall Mount, Copper Post Mount, Steel Post Mount.
(Optional Brackets pg. 53) Yoke Mount, Half Yoke Mount, Wall Mount Yoke and Pendant.

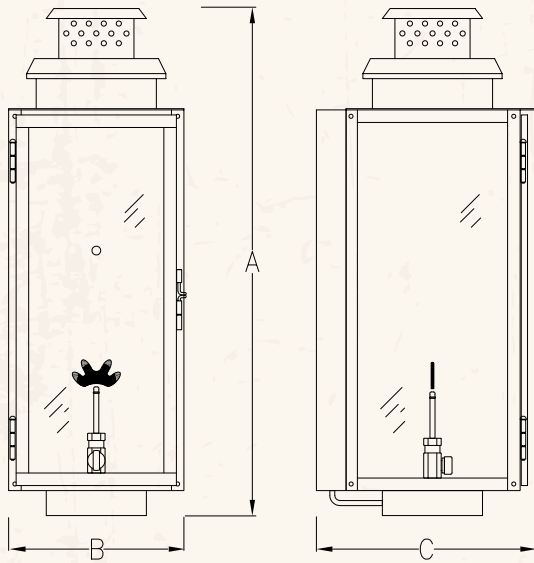


Intertek

CHICAGO



Shown with optional dual candelabra



SPECS

	A	B	C
MINI	16 ⁷ / ₈	6 ³ / ₄	8 ³ / ₈
SMALL	22 ¹ / ₈	6 ³ / ₄	9 ¹ / ₈
MEDIUM	25 ³ / ₈	8 ³ / ₄	11
LARGE	29 ⁵ / ₈	10 ¹ / ₂	13
GRANDE	35 ³ / ₈	12 ¹ / ₄	15 ⁵ / ₈

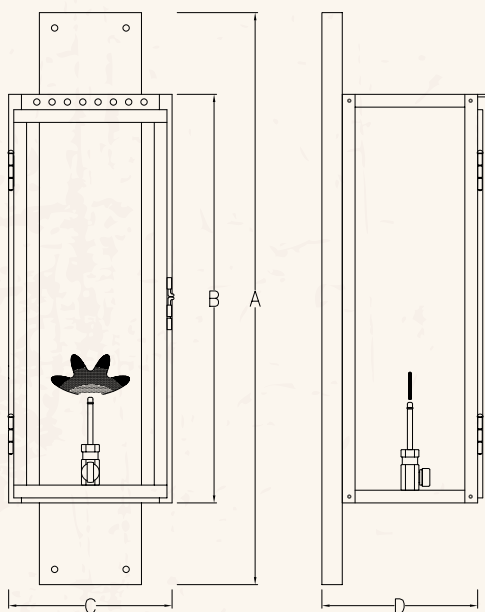
*MINI IS ONLY AVAILABLE IN ELECTRIC

OPEN FLAME: Natural Gas or Propane Gas, ELECTRIC: Candelabra or Edison Base, OPTIONAL: 120V Automatic Ignition
 AVAILABLE BRACKETS: Copper Wall Mount, Steel Wall Mount, Copper Post Mount, Steel Post Mount.
 (Optional Brackets pg. 53) Yoke Mount, Half Yoke Mount, Wall Mount Yoke and Pendant.

FIFTH AVENUE



Shown with standard options



SPECS

	A	B	C	D
MINI	18	10 ½	5 ¼	6 ½
SMALL	22	14	6 ¾	7 ⅞
MEDIUM	28	20	8	8 ⅝
LARGE	33	26	10	9 ½
GRANDE	40 ½	32 ⅝	12 ½	11 ¾

*MINI IS ONLY AVAILABLE IN ELECTRIC

OPEN FLAME: Natural Gas or Propane Gas, ELECTRIC: Candelabra or Edison Base, OPTIONAL: 120V Automatic Ignition
AVAILABLE BRACKETS: Copper Wall Mount.

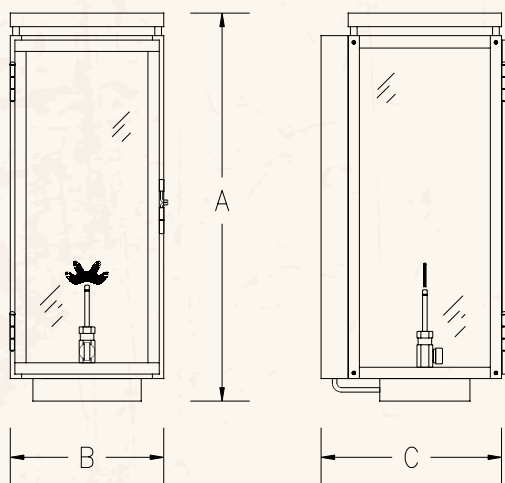




FRISCO



Shown with optional powder coat black



SPECS

	A	B	C
MINI	13 1/8	6 5/8	7 3/8
SMALL	18 3/8	6 5/8	8 1/8
MEDIUM	21 1/2	8 1/2	10
LARGE	24 3/4	10 1/2	12
GRANDE	30 1/2	12 1/4	14 7/8

*MINI IS ONLY AVAILABLE IN ELECTRIC

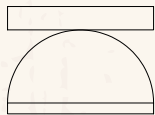
OPEN FLAME: Natural Gas or Propane Gas, ELECTRIC: Candelabra or Edison Base, OPTIONAL: 120V Automatic Ignition
 AVAILABLE BRACKETS: Copper Wall Mount, Steel Wall Mount, Copper Post Mount, Steel Post Mount.
 (Optional Brackets pg. 53) Yoke Mount, Half Yoke Mount, Wall Mount Yoke and Pendant.



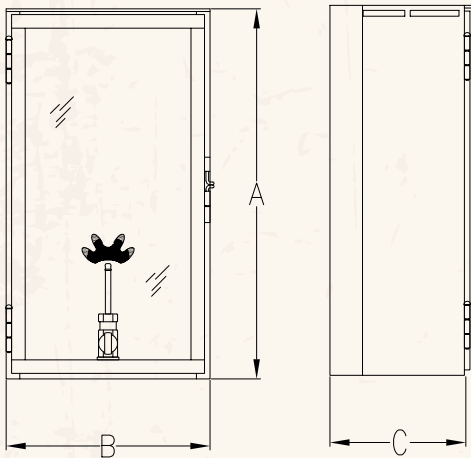
GEMINI



Shown with optional dual candelabra



Top View



SPECS

	A	B	C
MINI	9 ¾	8 ¼	5 ⅝
SMALL	14	8 ¼	6 ⅛
MEDIUM	17	9 ⅜	6 ¾
LARGE	20 ⅛	12	8
GRANDE	25	15 ½	10 ⅞

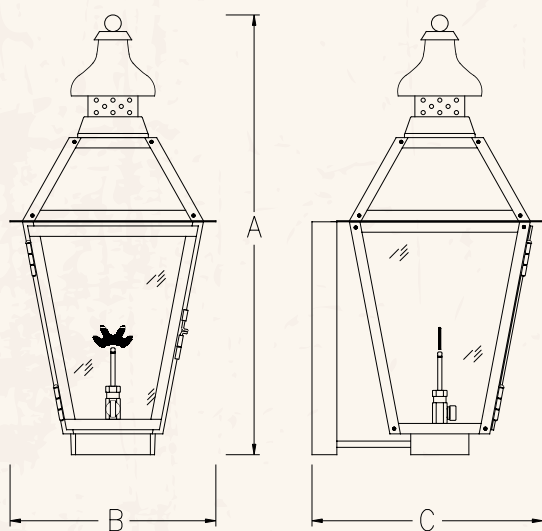
*MINI IS ONLY AVAILABLE IN ELECTRIC

OPEN FLAME: Natural Gas or Propane Gas, ELECTRIC: Candelabra or Edison Base, OPTIONAL: 120V Automatic Ignition
AVAILABLE BRACKETS: Copper Wall Mount.

LOGAN



Shown with optional gooseneck bracket and glass top



SPECS

	A	B	C
MINI	18 5/8	9 3/4	11
SMALL	22	11	12 1/2
MEDIUM	27	12 5/8	14 1/8
LARGE	33	14 3/4	16 1/4
GRANDE	36 5/8	17 1/2	20 1/8

AVAILABLE IN SOLID TOP OR GLASS TOP

*MINI IS ONLY AVAILABLE IN ELECTRIC

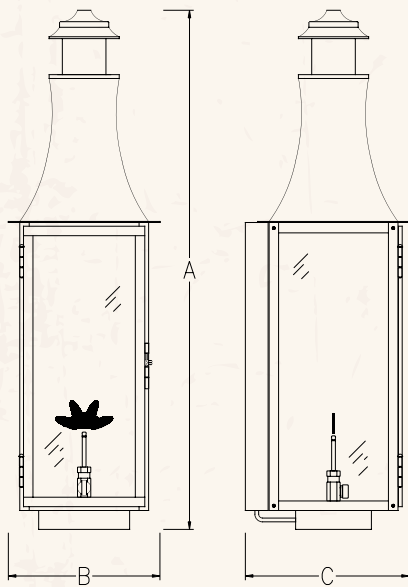
OPEN FLAME: Natural Gas or Propane Gas, ELECTRIC: Candelabra or Edison Base, OPTIONAL: 120V Automatic Ignition
 AVAILABLE BRACKETS: Copper Wall Mount, Steel Wall Mount, Copper Post Mount, Steel Post Mount.
 (Optional Brackets pg. 53) Yoke Mount, Half Yoke Mount, Wall Mount Yoke and Pendant.



MADISON



Shown with optional edison base socket



SPECS

	A	B	C
MINI	21 5/8	8 1/2	8 1/2
SMALL	28 3/8	8 1/2	9 1/8
MEDIUM	34 5/8	10 3/8	11
LARGE	37 3/4	12 1/2	14
GRANDE	48	14 1/4	16 1/8

*MINI IS ONLY AVAILABLE IN ELECTRIC

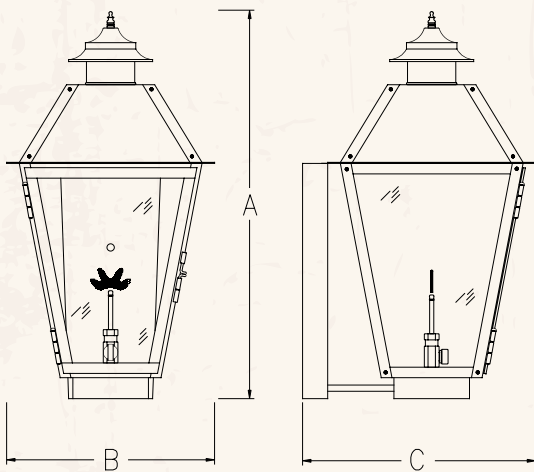
OPEN FLAME: Natural Gas or Propane Gas, ELECTRIC: Candelabra or Edison Base, OPTIONAL: 120V Automatic Ignition
 AVAILABLE BRACKETS: Copper Wall Mount, Steel Wall Mount, Copper Post Mount, Steel Post Mount.
 (Optional Brackets pg. 53) Yoke Mount, Half Yoke Mount, Wall Mount Yoke and Pendant.



MAGNOLIA



Shown with optional PMAI mount



SPECS

	A	B	C
MINI	16	9 3/4	11
SMALL	19 1/4	11	12 1/2
MEDIUM	23	12 5/8	14 1/8
LARGE	28 1/2	14 3/4	16 1/4
GRANDE	32 1/2	17 1/2	20 1/8

AVAILABLE IN SOLID TOP AND GLASS TOP

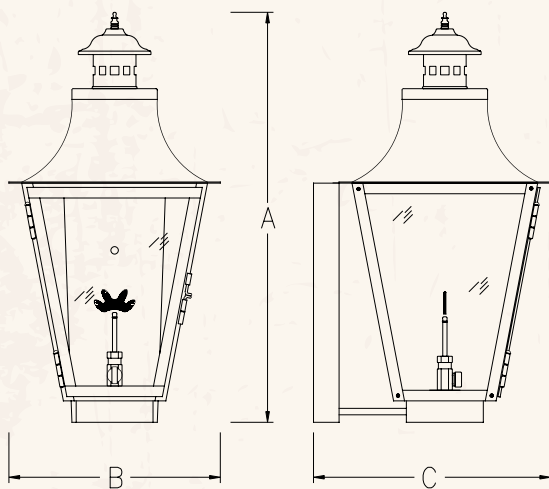
*MINI IS ONLY AVAILABLE IN ELECTRIC

OPEN FLAME: Natural Gas or Propane Gas, ELECTRIC: Candelabra or Edison Base, OPTIONAL: 120V Automatic Ignition
 AVAILABLE BRACKETS: Copper Wall Mount, Steel Wall Mount, Copper Post Mount, Steel Post Mount.
 (Optional Brackets pg. 53) Yoke Mount, Half Yoke Mount, Wall Mount Yoke and Pendant.

MONTROSE



Shown with standard options



SPECS

	A	B	C
MINI	17 ³ / ₈	9 ³ / ₄	11
SMALL	20 ³ / ₄	11	12 ¹ / ₂
MEDIUM	23 ⁷ / ₈	12 ⁵ / ₈	14
LARGE	27 ¹ / ₈	14 ³ / ₄	16 ¹ / ₄
GRANDE	30 ³ / ₄	17 ¹ / ₂	20 ¹ / ₈

*MINI IS ONLY AVAILABLE IN ELECTRIC

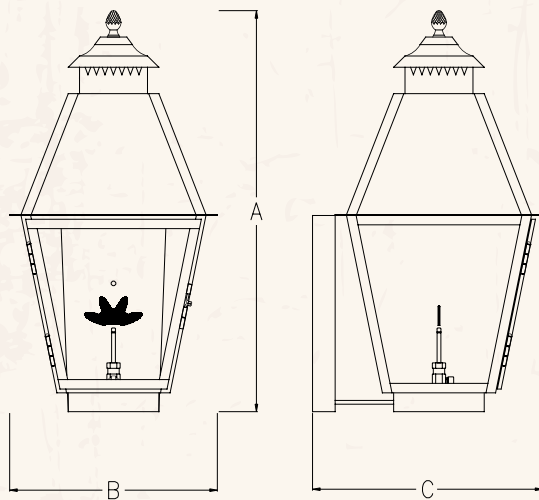
OPEN FLAME: Natural Gas or Propane Gas, ELECTRIC: Candelabra or Edison Base, OPTIONAL: 120V Automatic Ignition
 AVAILABLE BRACKETS: Copper Wall Mount, Steel Wall Mount, Copper Post Mount, Steel Post Mount.
 (Optional Brackets pg. 53) Yoke Mount, Half Yoke Mount, Wall Mount Yoke and Pendant.



NATCHEZ



Shown with standard options



SPECS

	A	B	C
MINI	17 1/2	8 1/2	9 1/4
SMALL	21	10 1/2	12
MEDIUM	26	14 1/8	15 5/8
LARGE	30 1/2	17 3/4	19 1/4
GRANDE	34 1/4	21 1/4	23 7/8

AVAILABLE IN SOLID TOP AND GLASS TOP

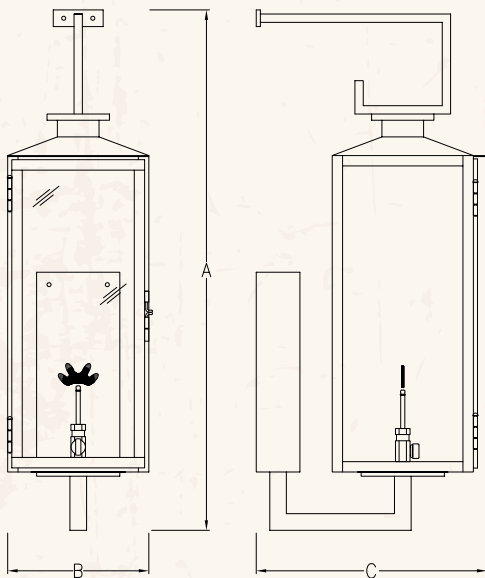
*MINI IS ONLY AVAILABLE IN ELECTRIC

OPEN FLAME: Natural Gas or Propane Gas, ELECTRIC: Candelabra or Edison Base, OPTIONAL: 120V Automatic Ignition
 AVAILABLE BRACKETS: Copper Wall Mount, Steel Wall Mount, Copper Post Mount, Steel Post Mount.
 (Optional Brackets pg. 53) Yoke Mount, Half Yoke Mount, Wall Mount Yoke and Pendant.

OXFORD



Shown with single point flame



SPECS

	A	B	C
MINI	21 1/8	6 5/8	10 1/2
SMALL	26 1/2	6 5/8	11 1/2
MEDIUM	31 1/4	8 1/2	13 7/8
LARGE	37 5/8	10 1/2	16 3/8
GRANDE	45	12 1/4	18 1/4

*MINI IS ONLY AVAILABLE IN ELECTRIC

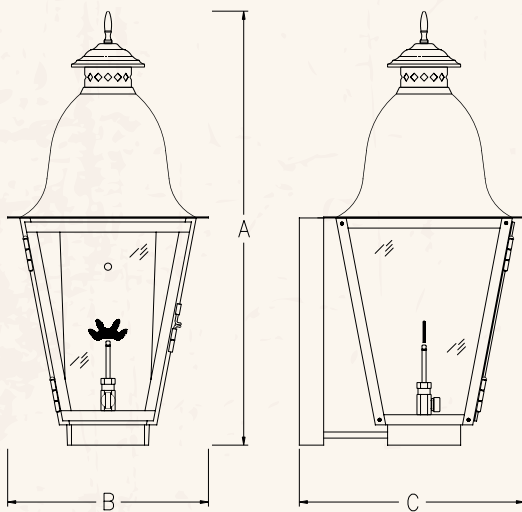
OPEN FLAME: Natural Gas or Propane Gas, ELECTRIC: Candelabra or Edison Base, OPTIONAL: 120V Automatic Ignition
 AVAILABLE BRACKETS: Steel Wall Mount, Copper Post Mount, Steel Post Mount.
 (Optional Brackets pg. 53) Yoke Mount, Half Yoke Mount, Wall Mount Yoke and Pendant.



QUEBEC



Shown with optional football finial, bottom spinning and ball, water glass and Triple Candelabra



SPECS

	A	B	C
MINI	19	9 3/4	11
SMALL	22	11	12 1/2
MEDIUM	26 3/4	12 5/8	14 1/8
LARGE	31 7/8	14 3/4	16 1/4
GRANDE	36 1/2	17 1/2	20 1/8

*MINI IS ONLY AVAILABLE IN ELECTRIC

OPEN FLAME: Natural Gas or Propane Gas, ELECTRIC: Candelabra or Edison Base, OPTIONAL: 120V Automatic Ignition
 AVAILABLE BRACKETS: Copper Wall Mount, Steel Wall Mount, Copper Post Mount, Steel Post Mount.
 (Optional Brackets pg. 53) Yoke Mount, Half Yoke Mount, Wall Mount Yoke and Pendant.

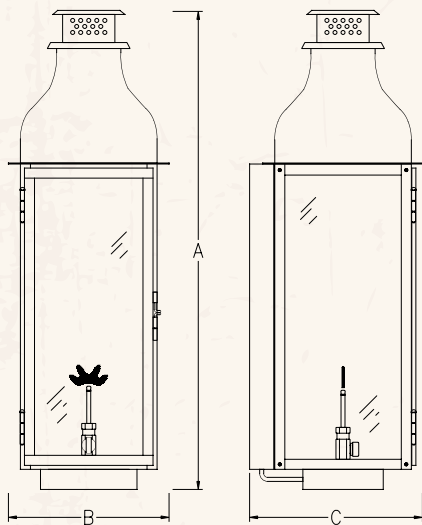


STANLEY STEAKS

SARASOTA



Shown with standard options



SPECS

	A	B	C
MINI	19 5/8	8 1/2	8 1/2
SMALL	25	8 1/2	9 1/8
MEDIUM	29 7/8	10 3/8	11
LARGE	33 1/4	12 1/2	14
GRANDE	42 3/4	15	16 1/2

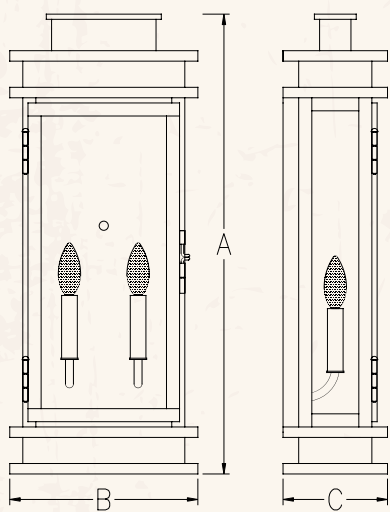
*MINI IS ONLY AVAILABLE IN ELECTRIC

OPEN FLAME: Natural Gas or Propane Gas, ELECTRIC: Candelabra or Edison Base, OPTIONAL: 120V Automatic Ignition
 AVAILABLE BRACKETS: Copper Wall Mount, Steel Wall Mount, Copper Post Mount, Steel Post Mount.
 (Optional Brackets pg. 53) Yoke Mount, Half Yoke Mount, Wall Mount Yoke and Pendant.

SOMERSET



Shown with optional window straps



SPECS

	A	B	C Electric	C Gas
MINI	12	5	5	N/A
SMALL	16	7	5	7
MEDIUM	22	9	5	9
LARGE	26	11	5	11 7/8
GRANDE	31 1/4	13 1/4	5	14 3/8

*MINI IS ONLY AVAILABLE IN ELECTRIC

*SHOWN WITH OPTIONAL MIRROR IN BACK PLATE

OPEN FLAME: Natural Gas or Propane Gas, ELECTRIC: Candelabra or Edison Base, OPTIONAL: 120V Automatic Ignition
 AVAILABLE BRACKETS: Copper Wall Mount, Steel Wall Mount, Copper Post Mount, Steel Post Mount.
 (Optional Brackets pg. 53) Yoke Mount, Half Yoke Mount, Wall Mount Yoke and Pendant.

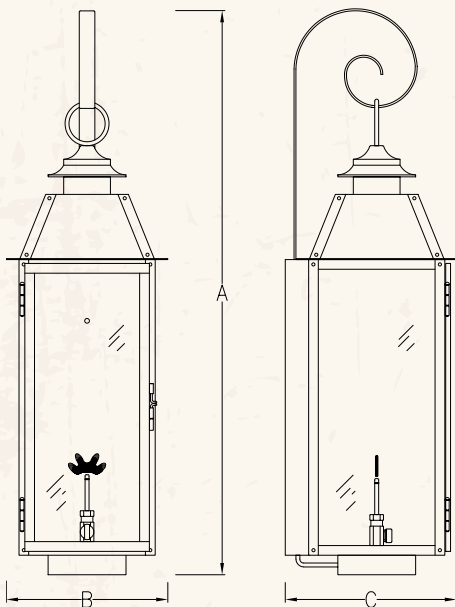




SWEETWATER



Shown with optional triple candelabra



SPECS

	A	B	C
MINI	21 3/4	7	7 1/8
SMALL	30 3/8	8 1/2	9
MEDIUM	36 1/4	10 3/8	11
LARGE	38 5/8	12 1/2	14
GRANDE	49 1/2	14 1/4	16 1/8

COMES STANDARD WITH TOP CURL
 AVAILABLE IN SOLID TOP OR GLASS TOP
 *MINI IS ONLY AVAILABLE IN ELECTRIC

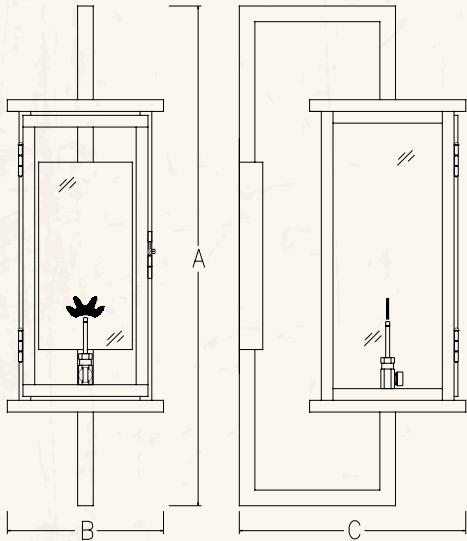
OPEN FLAME: Natural Gas or Propane Gas, ELECTRIC: Candelabra or Edison Base, OPTIONAL: 120V Automatic Ignition
 AVAILABLE BRACKETS: Copper Wall Mount, Steel Wall Mount, Copper Post Mount, Steel Post Mount.
 (Optional Brackets pg. 53) Yoke Mount, Half Yoke Mount, Wall Mount Yoke and Pendant.



TRINITY



Shown with optional triple candelabra and oil rubbed bronze powder coat



SPECS

	A	B	C
MINI	20 ¼	7	10 ¾
SMALL	25 ¼	8	12 ½
MEDIUM	32 ½	10	14 ½
LARGE	38 ½	12	17
GRANDE	46 ¼	14 ½	19 ½

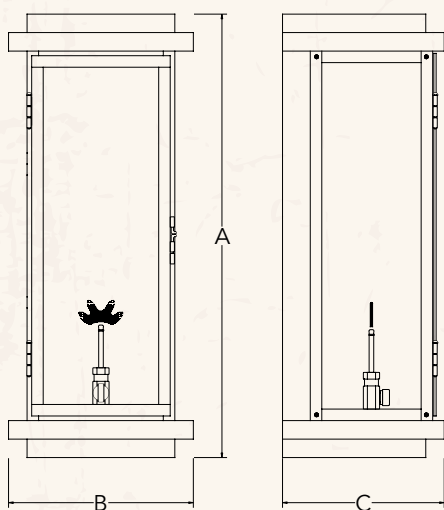
*MINI IS ONLY AVAILABLE IN ELECTRIC

OPEN FLAME: Natural Gas or Propane Gas, ELECTRIC: Candelabra or Edison Base, OPTIONAL: 120V Automatic Ignition
 AVAILABLE BRACKETS: Steel Wall Mount, Copper Post Mount, Steel Post Mount.
 (Optional Brackets pg. 53) Yoke Mount, Half Yoke Mount, Wall Mount Yoke and Pendant.

WINNIPEG



Shown with optional powder coat AAMA bronze



SPECS

	A	B	C
MINI	14 ½	6 ½	6 ½
SMALL	18	8	8
MEDIUM	24	10	8 ¾
LARGE	30	12	9 ⅞
GRANDE	36	15	12

*MINI IS ONLY AVAILABLE IN ELECTRIC

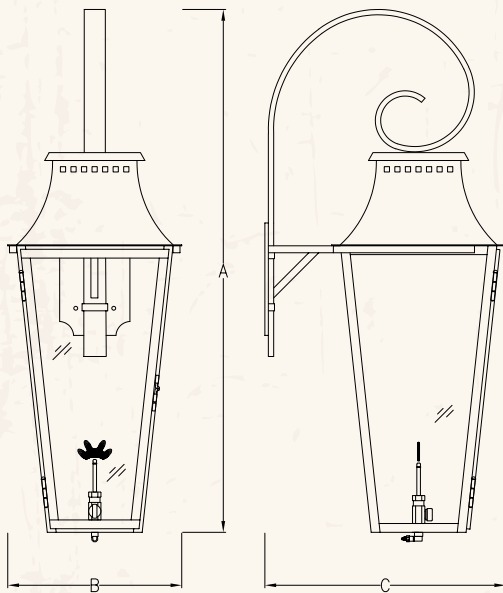
OPEN FLAME: Natural Gas or Propane Gas, ELECTRIC: Candelabra or Edison Base, OPTIONAL: 120V Automatic Ignition
 AVAILABLE BRACKETS: Copper Wall Mount, Steel Wall Mount, Copper Post Mount, Steel Post Mount.
 (Optional Brackets pg. 53) Yoke Mount, Half Yoke Mount, Wall Mount Yoke and Pendant.



WOOD DALE



Shown with standard options



SPECS

	A	B	C
MINI	24	8	10
SMALL	29 5/8	10 3/8	12 1/4
MEDIUM	37 1/4	12 3/8	17 1/8
LARGE	45 1/4	15	19 3/4
GRANDE	51 5/8	18	23 3/8

COMES STANDARD WITH TOP CURL

*MINI IS ONLY AVAILABLE IN ELECTRIC

OPEN FLAME: Natural Gas or Propane Gas, ELECTRIC: Candelabra or Edison Base, OPTIONAL: 120V Automatic Ignition
 AVAILABLE BRACKETS: Steel Wall Mount, Copper Post Mount, Steel Post Mount.
 (Optional Brackets pg. 53) Yoke Mount, Half Yoke Mount, Wall Mount Yoke and Pendant.



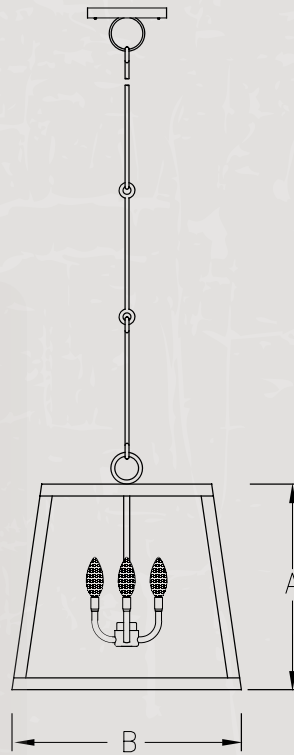
C
H
A
N
D
E
L
I
E
R
S

ABILENE

SPECS

	A	B	C
MINI	8 ¾	9 ¾	9 ¾
SMALL	10 ¾	12	12
MEDIUM	13	14 ½	14 ½
LARGE	16	18	18
GRANDE	19 ½	21 ⅝	21 ⅝

CHANDELIERS COME STANDARD WITH 6FT OF CHAIN
COMES STANDARD WITH ANTIQUE GLASS

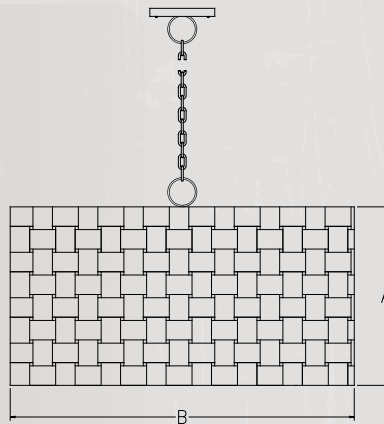


BASKET WEAVE

SPECS

	A	B
MINI	8 ½	14
SMALL	9 ½	17 ½
MEDIUM	12 ¾	22
LARGE	14 ⅝	26
GRANDE	18 ¾	31 ¼

CHANDELIERS COME STANDARD WITH
6FT OF CHAIN

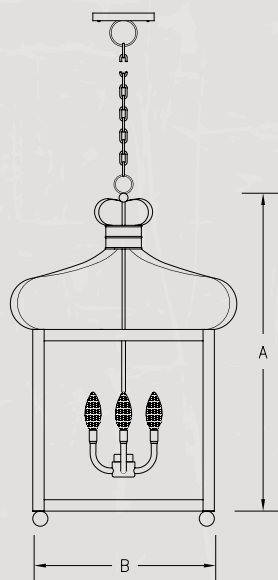


BELGIAN CAGE

SPECS

	A	B	C
MINI	16 ⁷ / ₈	9 ⁵ / ₈	9 ⁵ / ₈
SMALL	21	12	12
MEDIUM	26 ¹ / ₂	16	16
LARGE	32	20	20
GRANDE	38 ¹ / ₂	24	24

CHANDELIERS COME STANDARD WITH 6FT OF CHAIN
AVAILABLE WITH GLASS

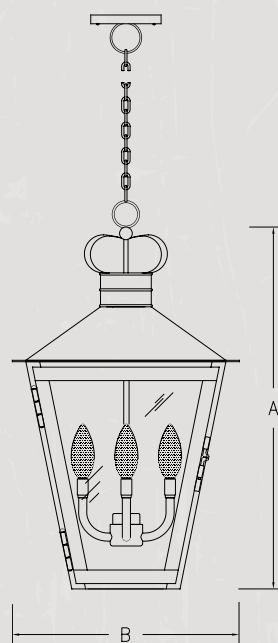


BELGIAN PENDANT

SPECS

	A	B	C
MINI	15 ¹ / ₄	9 ³ / ₄	9 ³ / ₄
SMALL	18	11	11
MEDIUM	22	12 ⁵ / ₈	12 ⁵ / ₈
LARGE	26 ¹ / ₂	14 ³ / ₄	14 ³ / ₄
GRANDE	30 ¹ / ₈	17 ¹ / ₂	17 ¹ / ₂

CHANDELIERS COME STANDARD WITH 6FT OF CHAIN
COMES STANDARD WITH CLEAR GLASS

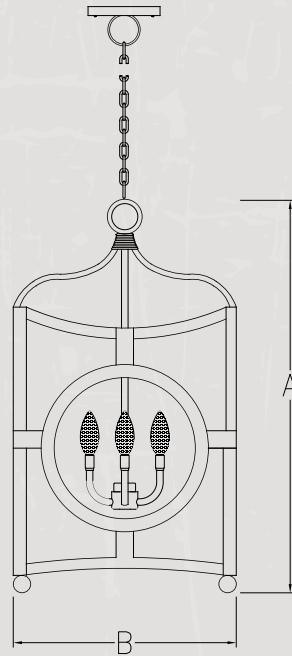


BONSAI

SPECS

	A	B	C
MINI	18	10	10
SMALL	22 ¾	12 ¾	12 ¾
MEDIUM	28	16	16
LARGE	32 ¾	19 ¾	19 ¾
GRANDE	39 ⅜	23 ¾	23 ¾

CHANDELIERS COME STANDARD WITH 6FT OF CHAIN
AVAILABLE WITH GLASS

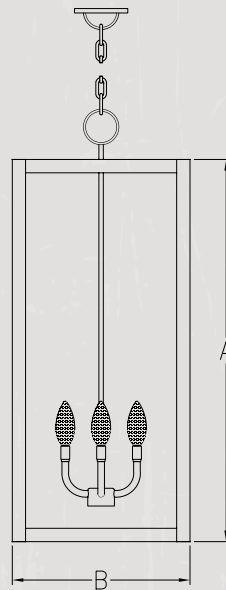


CAMDEN

SPECS

	A	B	C
MINI	17 ½	8	8
SMALL	21 ½	10	10
MEDIUM	24	12	12
LARGE	29	14 ¼	14 ¼
GRANDE	34 ¾	17	17

CHANDELIERS COME STANDARD WITH 6FT OF CHAIN
AVAILABLE WITH GLASS

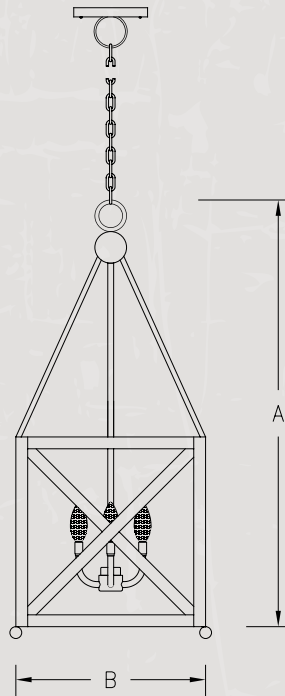


CORTLAND

SPECS

	A	B	C
MINI	21 ½	9 ½	9 ½
SMALL	27	12	12
MEDIUM	35	15	15
LARGE	42	18	18
GRANDE	50 ½	21 ⅝	21 ⅝

CHANDELIERS COME STANDARD WITH 6FT OF CHAIN
AVAILABLE WITH GLASS

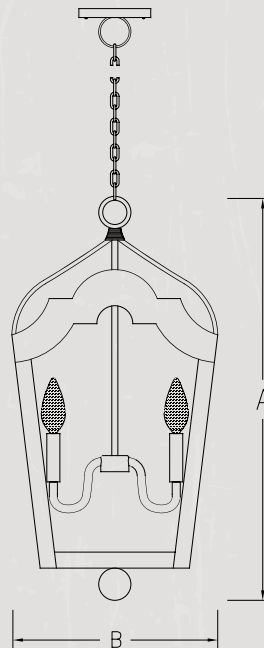


COZUMEL

SPECS

	A	B
MINI	19	9
SMALL	25	12 ¾
MEDIUM	30 ¾	16
LARGE	37	20
GRANDE	44	25 ⅛

CHANDELIERS COME STANDARD WITH 6FT OF CHAIN
AVAILABLE WITH GLASS



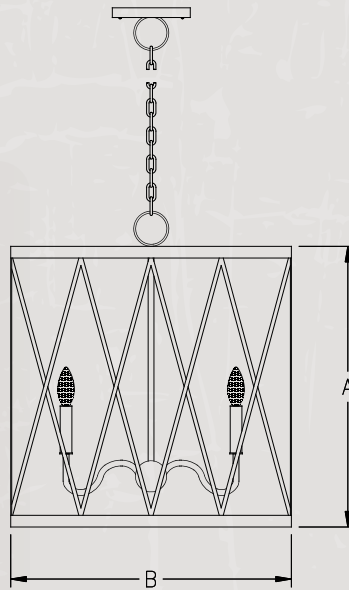
Intertek

CYPRUSE

SPECS

	A	B
MINI	11	11
SMALL	14	14
MEDIUM	18	18
LARGE	22	22
GRANDE	26 ½	26 ½

CHANDELIERS COME STANDARD WITH 6FT OF CHAIN

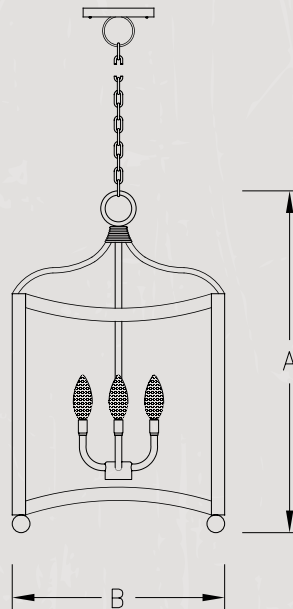


DALTON

SPECS

	A	B	C
MINI	16	9 ½	9 ½
SMALL	19 ¼	12	12
MEDIUM	23 ½	15	15
LARGE	28 ¼	18	18
GRANDE	33 ¾	21 ⅝	21 ⅝

CHANDELIERS COME STANDARD WITH 6FT OF CHAIN
AVAILABLE WITH GLASS

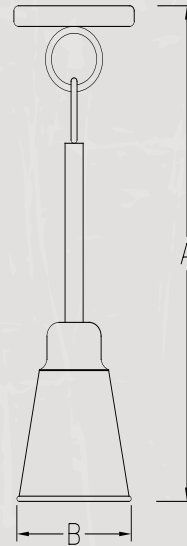


DOWN SHADE

SPECS

	A	B
SMALL	18	4 3/4
MEDIUM	24	4 3/4
LARGE	36	4 3/4

COMES STANDARD WITH EDISON BASE SOCKET
AVAILABLE IN WALL MOUNT

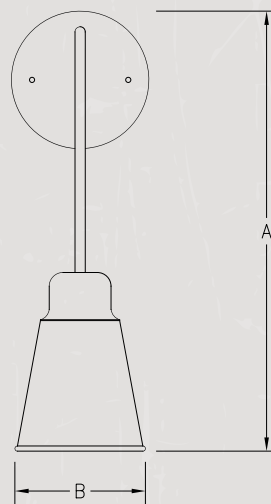


GOOSENECK

SPECS

	A	B	C
SMALL	14	4 3/4	10
LARGE	16	4 3/4	12

COMES STANDARD WITH EDISON BASE SOCKET

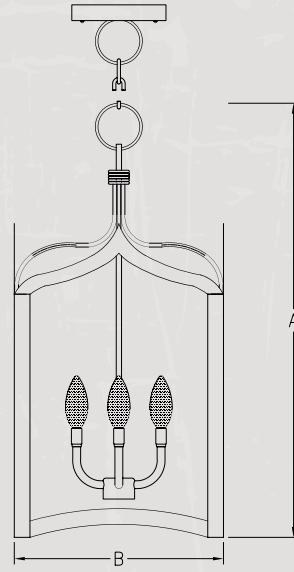


GOTHIC CAGE

SPECS

	A	B	C
MINI	20	10	10
SMALL	26	12	12
MEDIUM	32	15	15
LARGE	36	18	18
GRANDE	43	21 5/8	21 5/8

CHANDELIERS COME STANDARD WITH 6FT OF CHAIN
AVAILABLE WITH GLASS

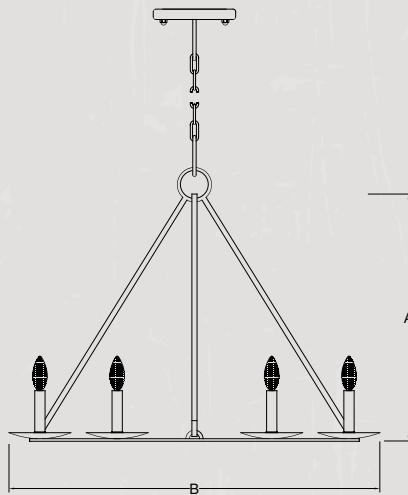


KING ARTHUR

SPECS

	A	B
MINI	16	19 1/2
SMALL	20	24
MEDIUM	24	36
LARGE	28	48
GRANDE	34	60

CHANDELIERS COME STANDARD
WITH 6FT OF CHAIN





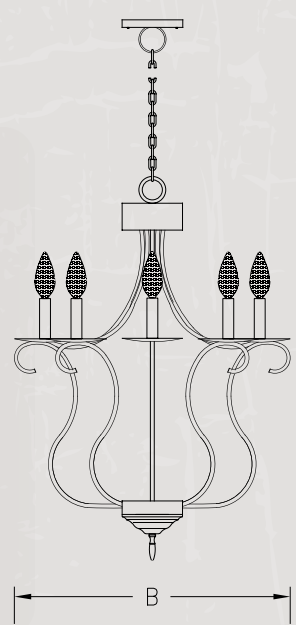


LONG ISLAND

SPECS

	A	B
MINI	N/A	N/A
SMALL	28 ⁵ / ₈	20 ¹ / ₂
MEDIUM	33 ³ / ₄	25 ⁵ / ₈
LARGE	40	32
GRANDE	48	38 ¹ / ₂

CHANDELIERS COME STANDARD WITH 6FT OF CHAIN

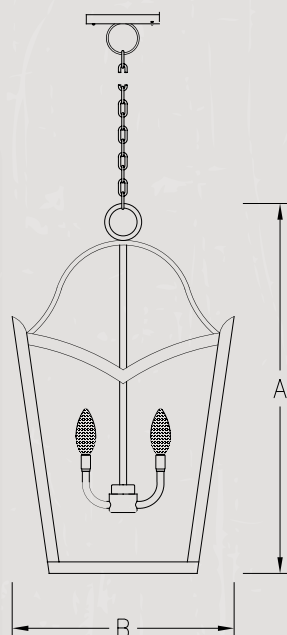


NEEDHAM

SPECS

	A	B	C
MINI	16	10	10
SMALL	20	12	12
MEDIUM	23 ⁵ / ₈	14 ³ / ₈	14 ³ / ₈
LARGE	28	17 ¹ / ₄	17 ¹ / ₄
GRANDE	33 ¹ / ₂	20 ³ / ₄	20 ³ / ₄

CHANDELIERS COME STANDARD WITH 6FT OF CHAIN
AVAILABLE WITH GLASS



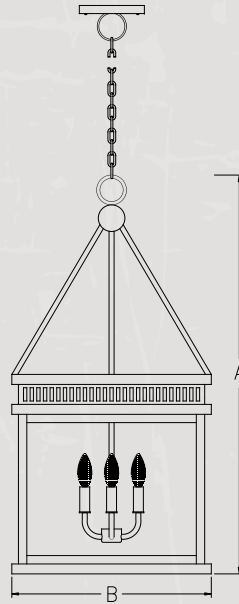
Intertek

OLD SALT RUN

SPECS

	A	B	C
MINI	20	10	10
SMALL	24	12	12
MEDIUM	30	15	15
LARGE	36	18	18
GRANDE	42	21	21

CHANDELIERS COME STANDARD WITH 6FT OF CHAIN
COMES STANDARD WITH CLEAR GLASS

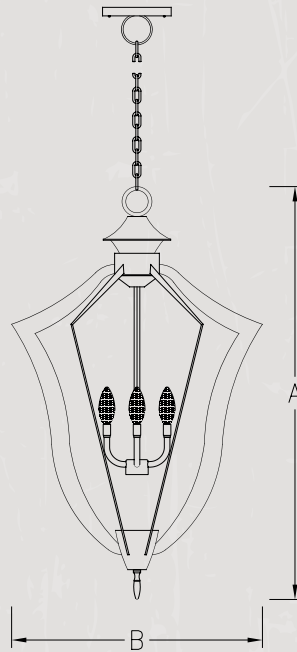


PERSIAN

SPECS

	A	B	C
MINI	22	13 1/2	13 1/2
SMALL	27 5/8	16 3/4	16 3/4
MEDIUM	32	21	21
LARGE	37 1/8	25 1/4	25 1/4
GRANDE	44 1/2	30 1/4	30 1/4

CHANDELIERS COME STANDARD WITH 6FT OF CHAIN

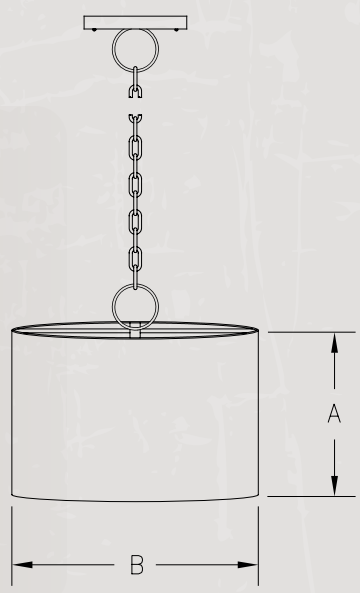


ROUND COPPER DRUM

SPECS

	A	B
MINI	6	9 ½
SMALL	8	12
MEDIUM	10	14
LARGE	12	16
GRANDE	14 ½	19

CHANDELIERS COME STANDARD WITH 6FT OF CHAIN

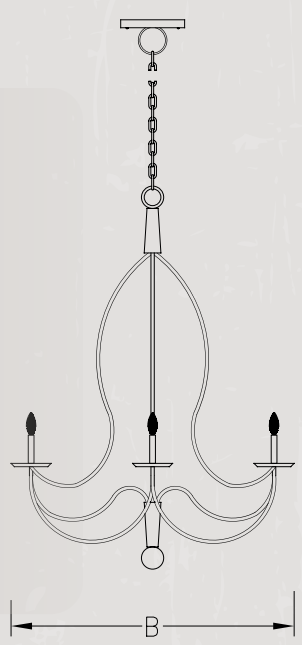


SHENANDOAH

SPECS

	A	B
MINI	25	20 ½
SMALL	32	27 ¼
MEDIUM	44	32
LARGE	47	43 ¼
GRANDE	55 ¼	54

CHANDELIERS COME STANDARD WITH 6FT OF CHAIN



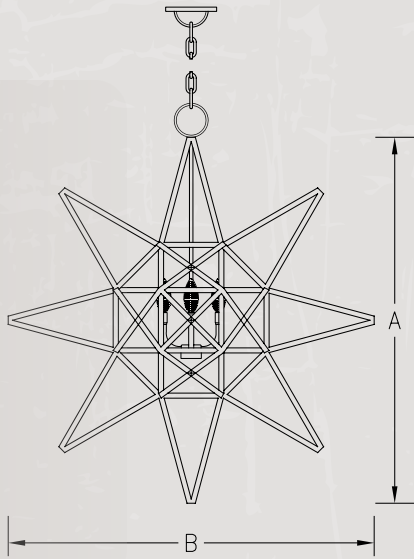
Intertek

STAR

SPECS

	A	B
SMALL	21 1/2	21 1/2
MEDIUM	27	27
LARGE	33 3/4	33 3/4
GRANDE	40 1/2	40 1/2

CHANDELIERS COME STANDARD WITH 6FT OF CHAIN

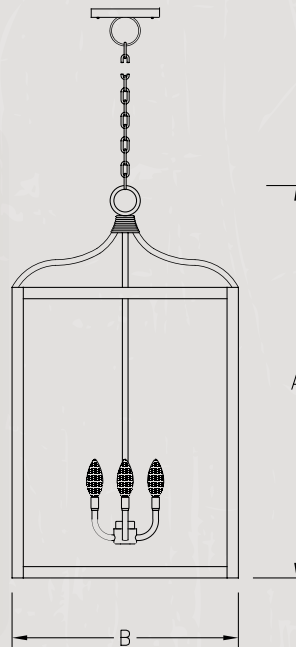


STRUCTURE

SPECS

	A	B	C
MINI	18 1/2	9 1/2	9 1/2
SMALL	22	12	12
MEDIUM	26	15	15
LARGE	30 5/8	18	18
GRANDE	36 3/4	21 5/8	21 5/8

CHANDELIERS COME STANDARD WITH 6FT OF CHAIN
AVAILABLE WITH GLASS



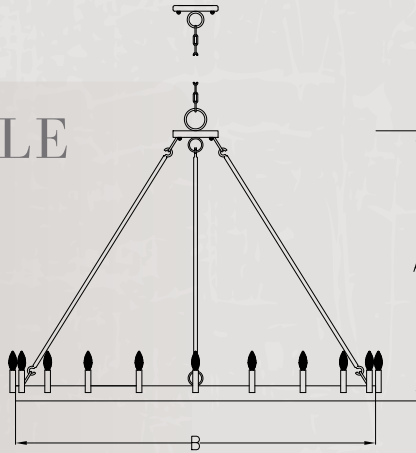


SULLIVAN

SPECS - SINGLE

	A	B
SMALL	29	36
MEDIUM	36	48
LARGE	45	60
GRANDE	48	72

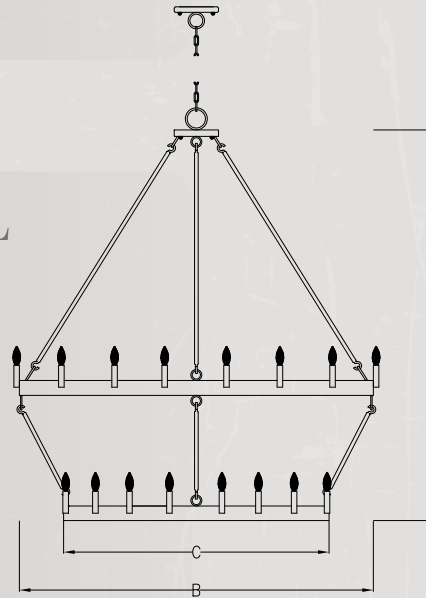
CHANDELIERS COME STANDARD WITH 6FT OF CHAIN



SPECS - DUAL

	A	B	C
SMALL	40	36	20
MEDIUM	53	48	36
LARGE	45	60	36
GRANDE	71	72	48

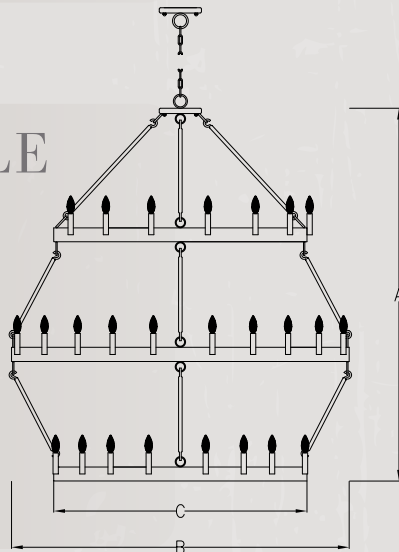
CHANDELIERS COME STANDARD WITH 6FT OF CHAIN



SPECS - TRIPLE

	A	B	C
SMALL	44	36	20
MEDIUM	53	48	36
LARGE	65	60	36
GRANDE	70	72	48

CHANDELIERS COME STANDARD WITH 6FT OF CHAIN

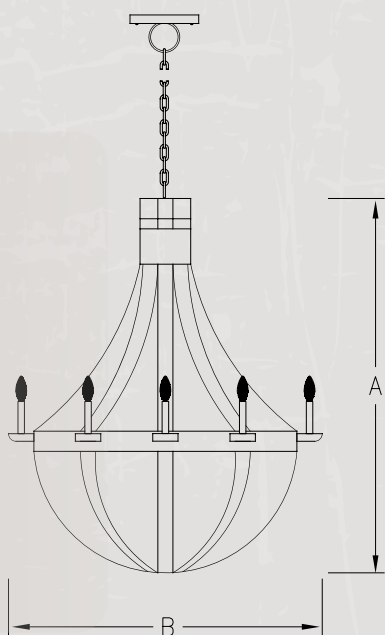


TEAR DROP

SPECS

	A	B
SMALL	23 3/4	19 3/4
MEDIUM	29 5/8	24 3/4
LARGE	37	31
GRANDE	43 1/4	36

CHANDELIERS COME STANDARD WITH 6FT OF CHAIN

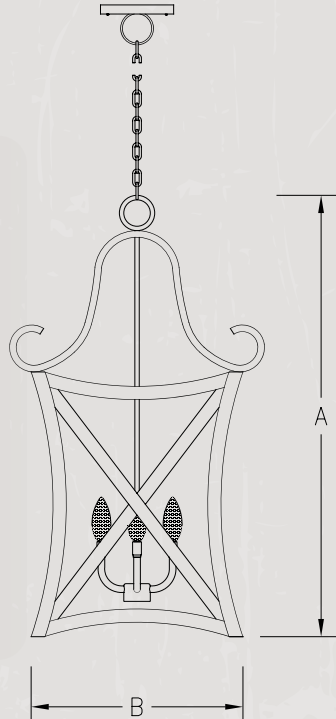


VERSAILLES

SPECS

	A	B	C
MINI	20	9 1/2	9 1/2
SMALL	25	12	12
MEDIUM	29 1/2	15	15
LARGE	33 1/2	18	18
GRANDE	40	21 5/8	21 5/8

CHANDELIERS COME STANDARD WITH 6FT OF CHAIN

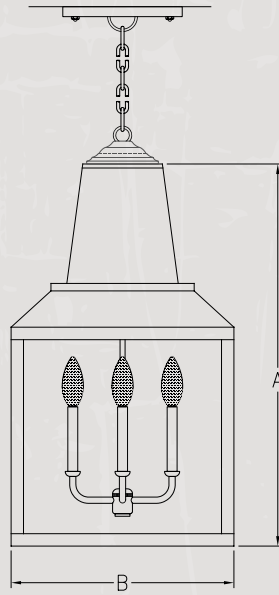


WINNSBORO

SPECS

	A	B	C
MINI	16	9	9
SMALL	20 ³ / ₈	11 ¹ / ₄	11 ¹ / ₄
MEDIUM	25 ¹ / ₂	14	14
LARGE	30 ¹ / ₄	16 ⁷ / ₈	16 ⁷ / ₈
GRANDE	36 ¹ / ₂	20 ¹ / ₄	20 ¹ / ₄

CHANDELIERS COME STANDARD WITH 6FT OF CHAIN
COMES STANDARD WITH CLEAR GLASS



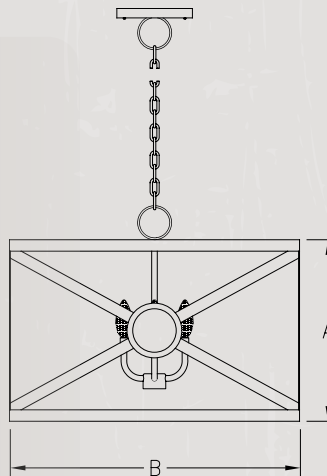
*SHOWN WITH OPTIONAL VERDI-GREEN

X DRUM

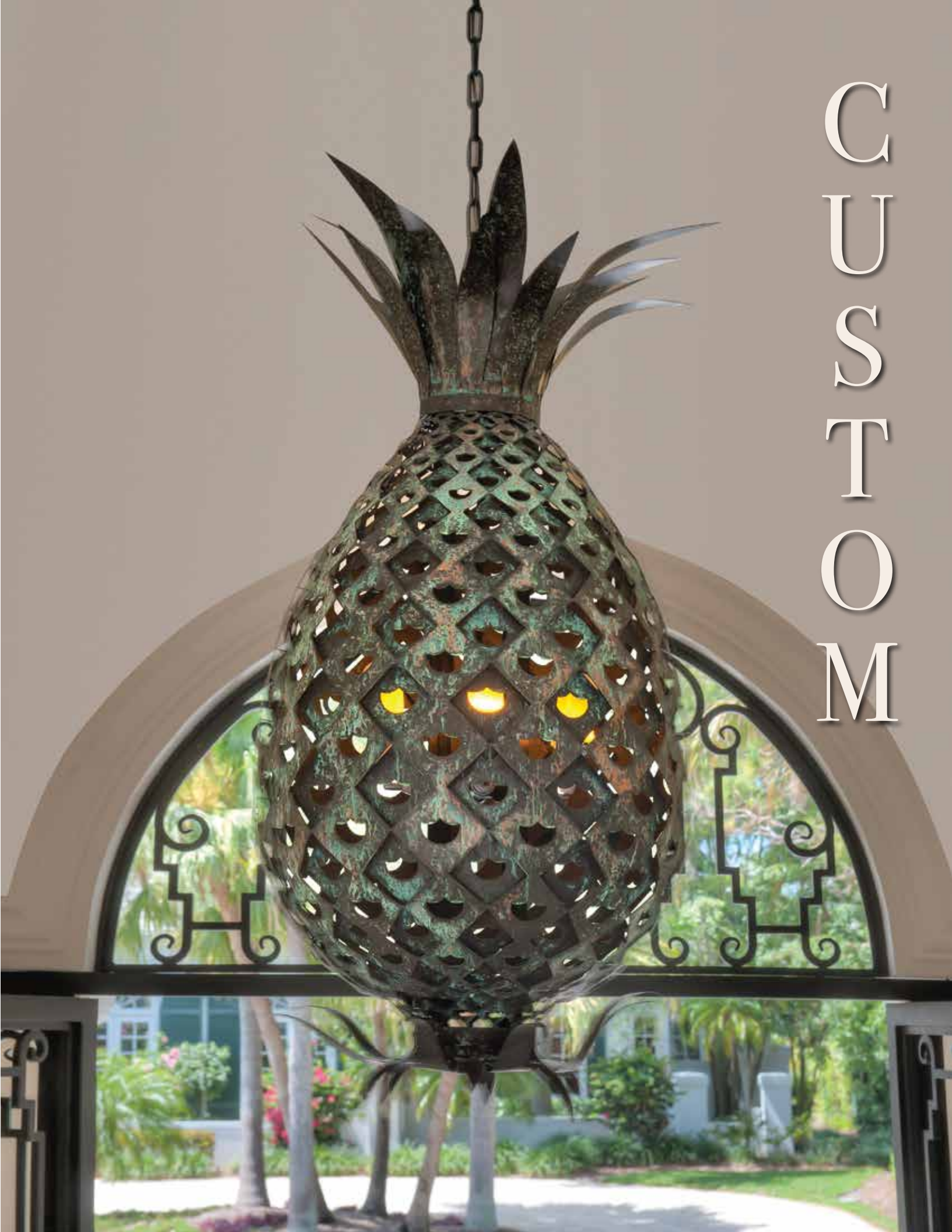
SPECS

	A	B
MINI	10	15 ¹ / ₂
SMALL	12	19 ¹ / ₄
MEDIUM	15	24
LARGE	18	28 ³ / ₄
GRANDE	21 ³ / ₈	34 ¹ / ₂

CHANDELIERS COME STANDARD
WITH 6FT OF CHAIN



C
U
S
T
O
M









BRACKETS



COPPER WALL MOUNT



STEEL WALL MOUNT



GOOSE NECK BRACKET



HIGHTOWER BRACKET



CEILING MOUNT HALF YOKE



CEILING MOUNT FULL YOKE



WALL MOUNT HALF YOKE



WALL MOUNT FULL YOKE



CHAIN HUNG PENDANT



PIER MOUNT FLAT PLATE



PIER MOUNT AI



COPPER POST MOUNT



STEEL POST MOUNT

ACCESSORIES



TOP CURL



BOTTOM CURL



MUSTACHE CURLS



BACKWARDS
BOTTOM CURL



FOOTBALL
FINIAL



ARCH & BALL
FINIAL





PATINA



RAW



LIGHT



MEDIUM



DARK



LIVER OF
SULFUR



VERDI GREEN

Patina finishes are a living finish designed to naturally patina over time, imparting a soft, weathered appearance, whereas Powder-coated finishes provide smooth durability with solid coverage.

POWDER COATED



STARLIGHT BLACK



BLACK FLAT



POMPEIAN GOLD II



OIL RUBBED BRONZE



AAMA BRONZE



SPECKLED BRONZE



BLACK CHROME



CHROME II

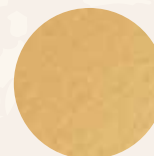


STAINLESS STEEL 2.5



SILVER TEX

Other color options available
Ask about other colors



TECHNICAL

LIMITED LIFETIME WARRANTY, ONE YEAR PARTS

St. James Lighting, LLC manufactured products are warranted to be free from defective materials and workmanship. Under approved installation and normal operating conditions all copper materials carry a limited lifetime warranty. Component parts; burners, gas valves, automatic ignition systems, automatic shut-off valves, steel mounting brackets, electric sockets, all carry a one year warranty from the date of invoice from defective material and workmanship. Glass panes are not covered under this warranty. St. James Lighting reserves the right to determine if a part or light is defective and whether to repair or replace at our factory any defective part(s), to the original purchaser. This warranty does not include shipping charges, removal or reinstallation costs incurred in returning the item to St. James Lighting unless prior written approval is granted by St. James Lighting.

All of our lights are constructed of the highest quality materials, utilizing 16, 20 and 32 ounce copper, solid brass burners and valves, U.L. certified electrical components.

Damage incurred in transit or from handling is excluded from the terms of this warranty. Please note our Freight Policy.

This warranty is in lieu of all other warranties, expressed or implied. We further reserve the right to refuse to honor the above warranty, for any product(s) altered, improperly installed or installed in applications for which not intended. Please note our installation instructions prior to installing your new copper light.

FREIGHT POLICY

All products are shipped from our factory in Columbia, Mississippi. We take great care in packaging our products, but damage may occur occasionally. Products are shipped via common carrier and are strapped and shrink wrapped to a pallet. Please inspect all delivered goods to your location prior to signing for them. A signature indicates that the goods are received in good condition and there is no apparent damage. Do not sign/accept damaged boxes. You can accept a partial shipment from most carriers. If not, refuse the shipment and make notation on the freight Bill of Lading describing the damage. Contact our office to get instructions on filing a claim.

MADE IN AMERICA



St. James
LIGHTING

1491 Hwy 13 N | Columbia, MS 39429 | www.stjameslighting.com | 1-601-444-4966 | 1-877-448-4966

REVISED 03/20