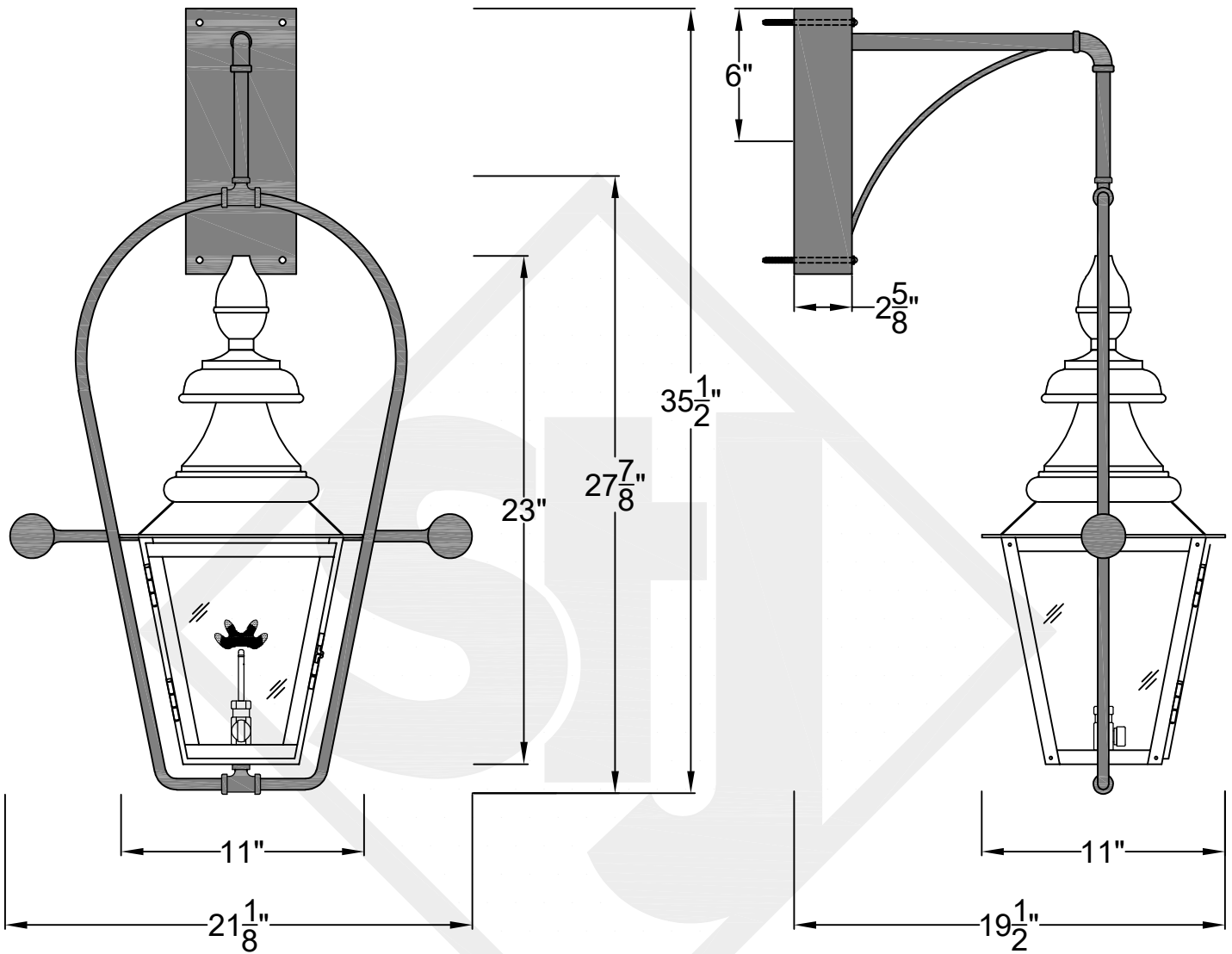


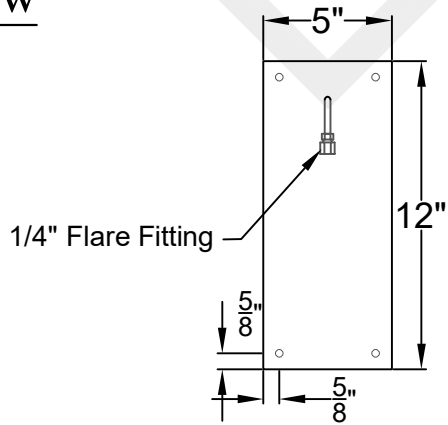
BIRMINGHAM SMALL WALL MOUNT FULL YOKE

Shortest Height 31 ³/₄"



Front View

Side View



Backplate



St. James
LIGHTING

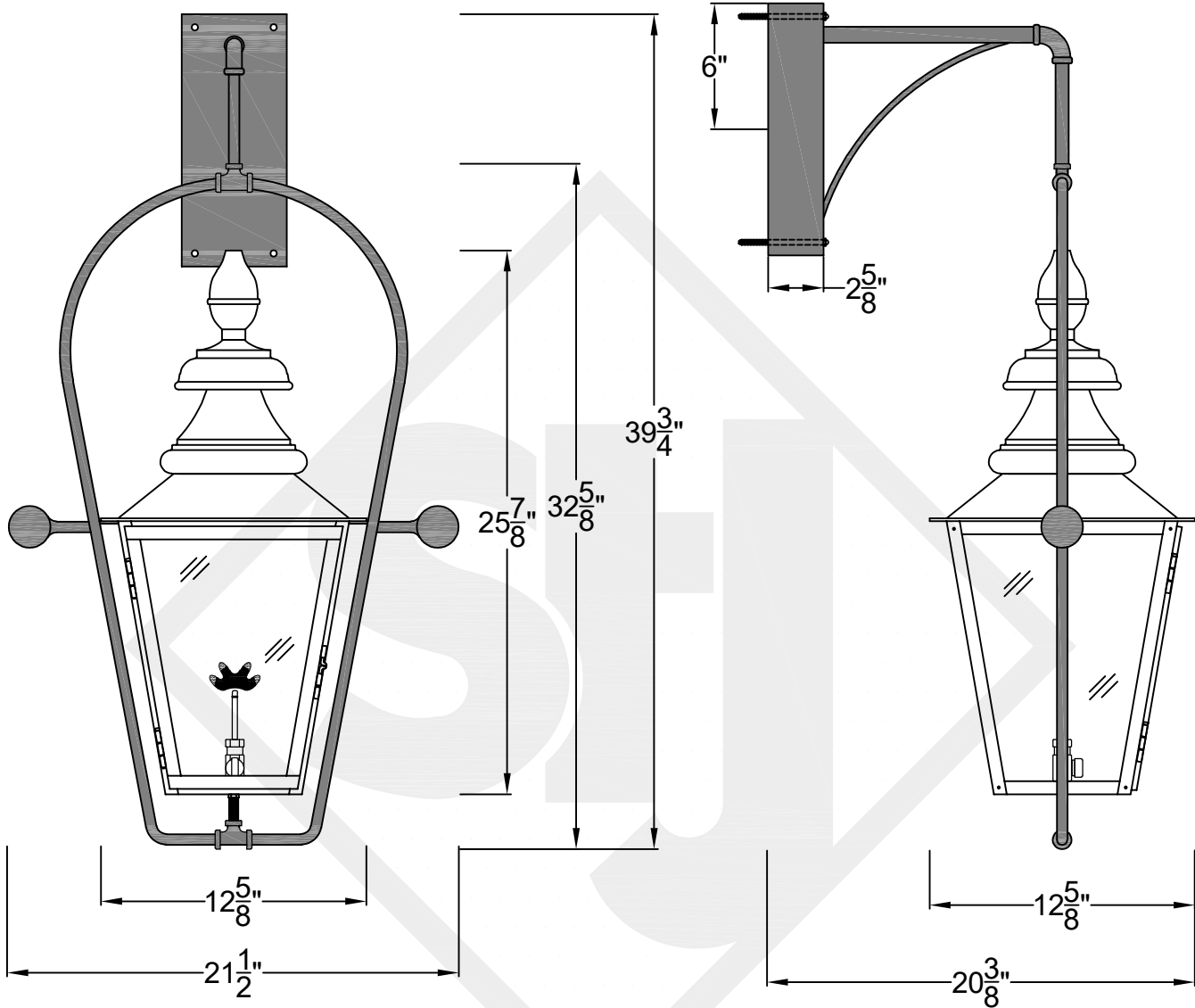
SCALE: N.T.S.	DRAFT: T. Herring
FILE: BIRS	APP'D: J. Ragan
JOB: X	DATE: 4-10-2023

Lights are handcrafted.
Dimensions may vary by 1/4"

B.T.U. Rating
Natural Gas: 2730 B.T.U.
Propane: 2080 B.T.U.

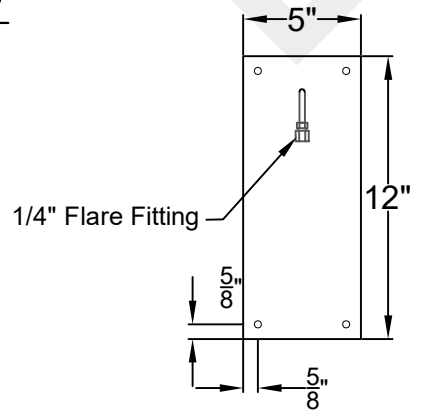
BIRMINGHAM MEDIUM WALL MOUNT FULL YOKE

Shortest Height 36 ¹/₂"




Front View

Side View



Backplate

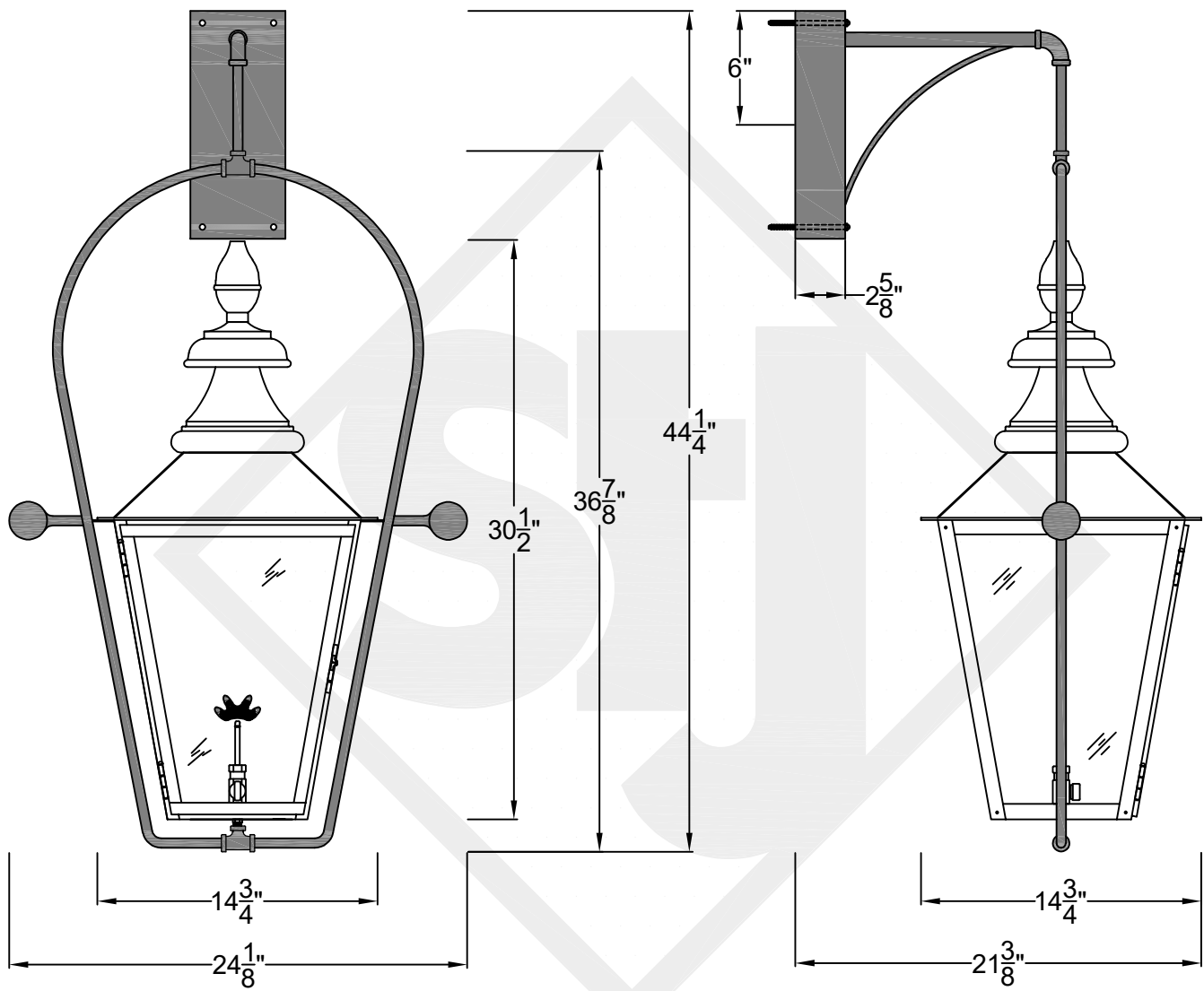
	St. James LIGHTING	
	SCALE: N.T.S.	DRAFT: Y. McCullough
	FILE: BIRM	APP'D: J. Ragan
	JOB: X	DATE: 11/15/23

Lights are handcrafted.
Dimensions may vary by 1/4"

B.T.U. Rating
Natural Gas: 2730 B.T.U.
Propane: 2080 B.T.U.

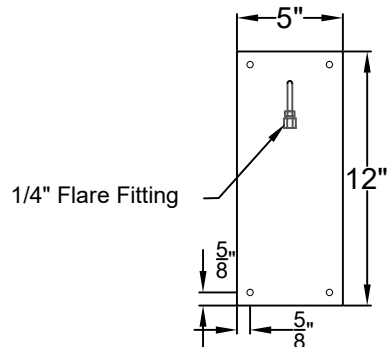
BIRMINGHAM LARGE WALL MOUNT FULL YOKE

Shortest Height $40\frac{3}{4}$ "



Front View

Side View



Backplate



St. James
LIGHTING

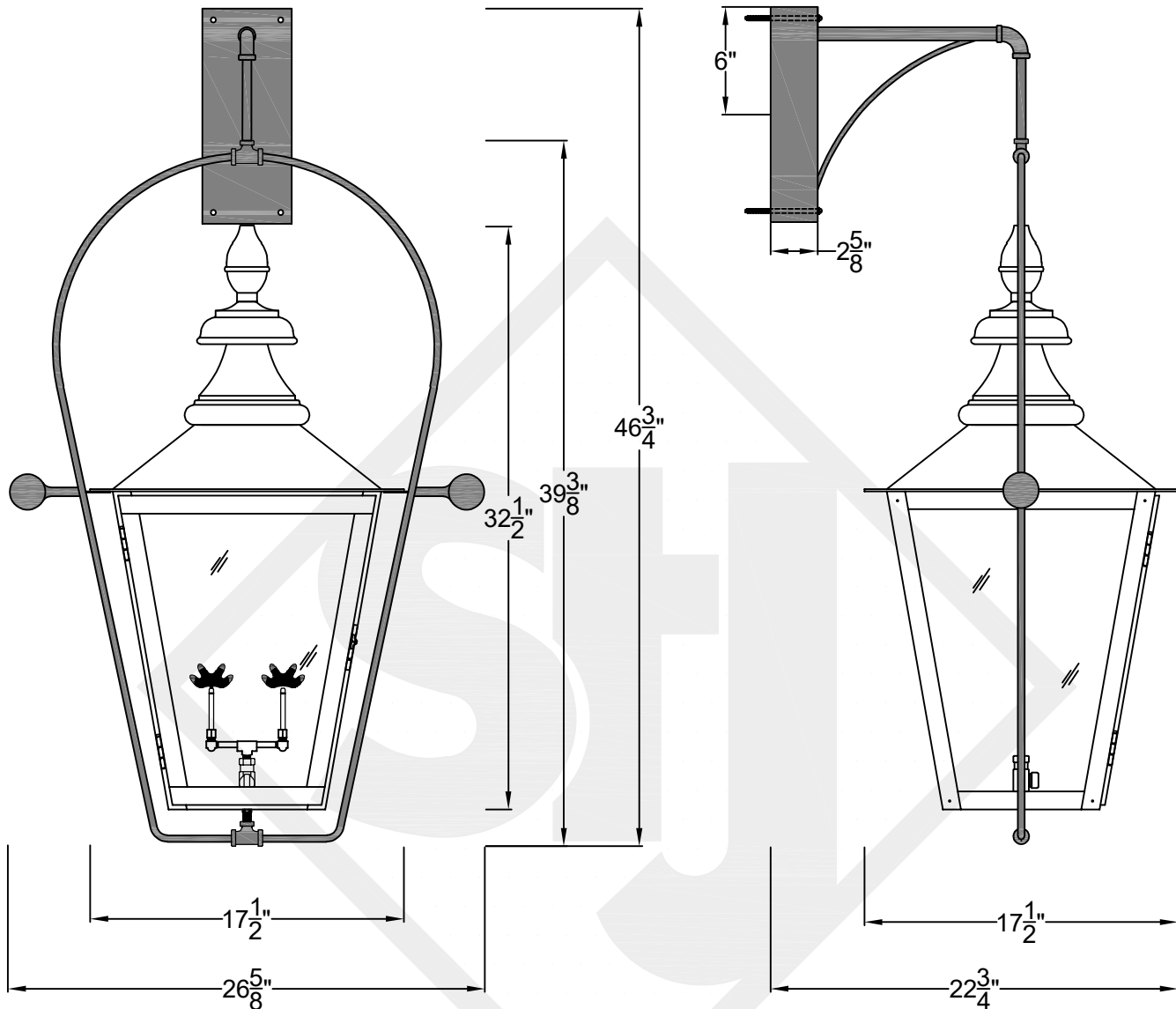
SCALE: N.T.S.	DRAFT: Y. McCullough
FILE: BIRL	APP'D: J. Ragan
JOB: X	DATE: 11/15/23

Lights are handcrafted.
Dimensions may vary by $\frac{1}{4}$ "

B.T.U. Rating
Natural Gas: 2730 B.T.U.
Propane: 2080 B.T.U.

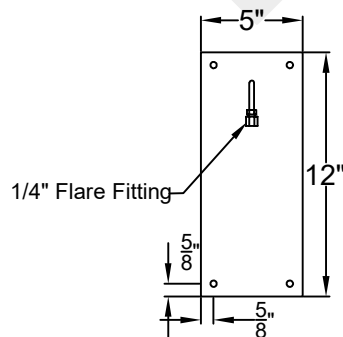
BIRMINGHAM GRANDE WALL MOUNT FULL YOKE

Shortest Height $43\frac{1}{4}"$



Front View

Side View



Backplate



St. James
LIGHTING

SCALE: N.T.S.	DRAFT: Y. McCullough
FILE: BIRG	APP'D: J. Ragan
JOB: X	DATE: 11/15/23

Lights are handcrafted.
Dimensions may vary by 1/4"

B.T.U. Rating
Natural Gas: 5460 B.T.U.
Propane: 4160 B.T.U.