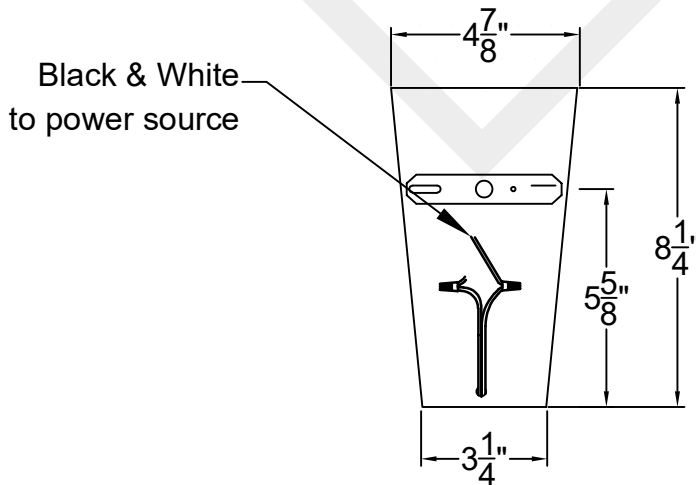
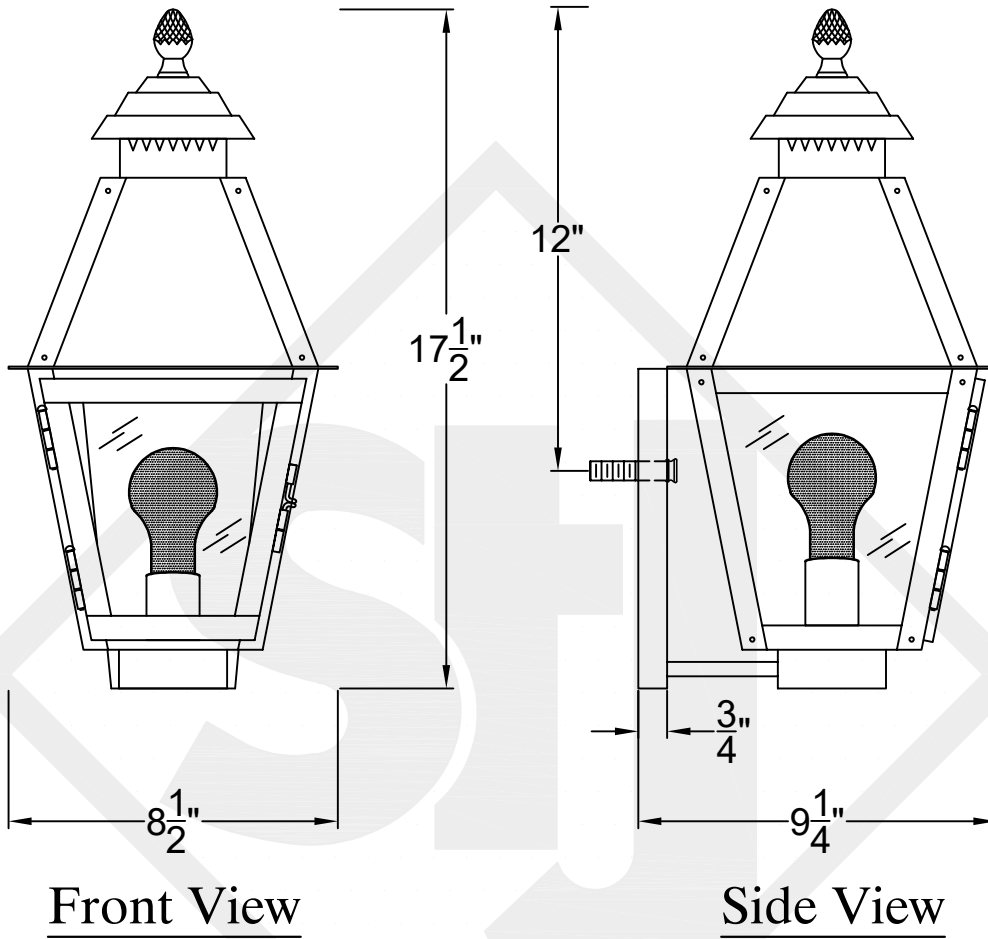


NATCHEZ MINI COPPER WALL BRACKET

Available w/ Solid
or Glass Top



Backplate



St. James
LIGHTING

SCALE: N.T.S.	DRAFT: T. Herring
FILE: NATMINI	APP'D: J. Ragan
JOB: X	DATE: 5-1-2023

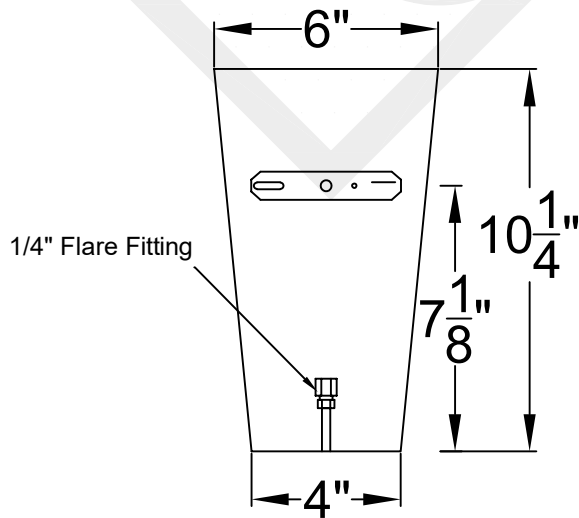
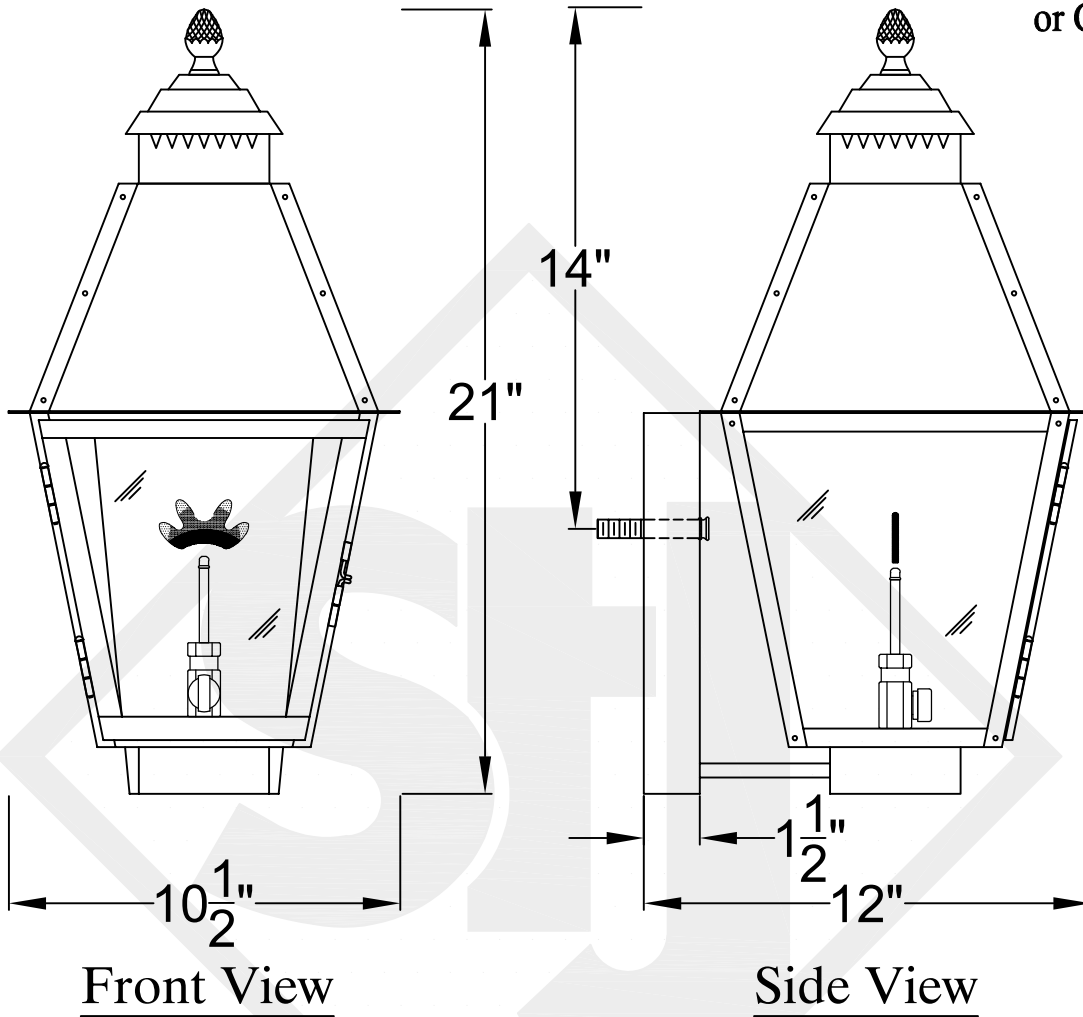
Lights are handcrafted.
Dimensions may vary by 1/4"

Mini not available in gas

UL Certified
Candelabra- Max 60 Watt Bulb
Edison- Max 660 Watt Bulb

NATCHEZ SMALL COPPER WALL BRACKET

Available w/ Solid
or Glass Top



Backplate



St. James
LIGHTING

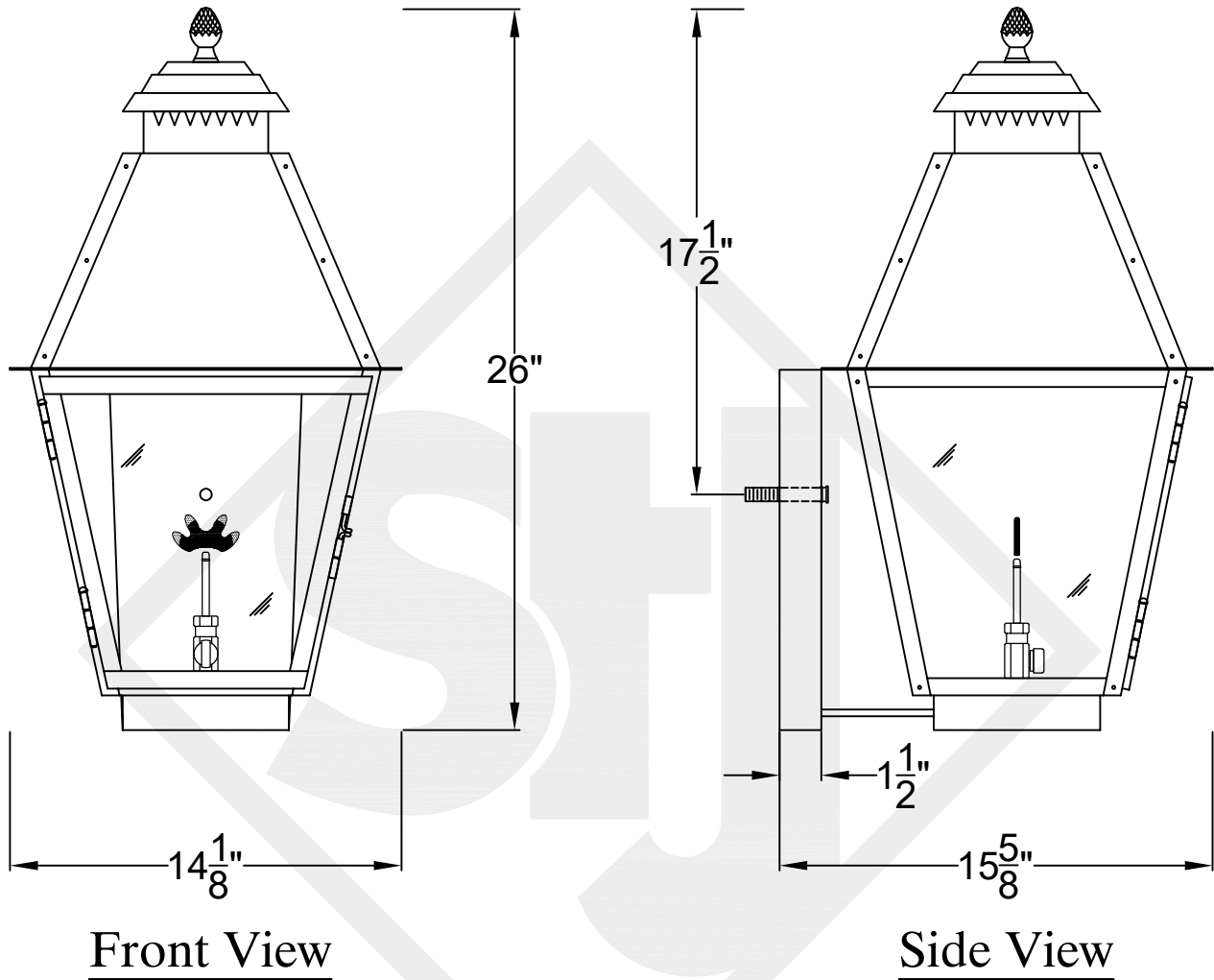
SCALE: N.T.S.	DRAFT: Y. McCullough
FILE: NATS	APP'D: J. Ragan
JOB: X	DATE: 11/20/23

Lights are handcrafted.
Dimensions may vary by 1/4"

B.T.U. Rating
Natural Gas: 2730 B.T.U.
Propane: 2080 B.T.U.

NATCHEZ MEDIUM COPPER WALL BRACKET

Available w/ Solid
or Glass Top



Front View

Side View

Backplate



St. James
LIGHTING

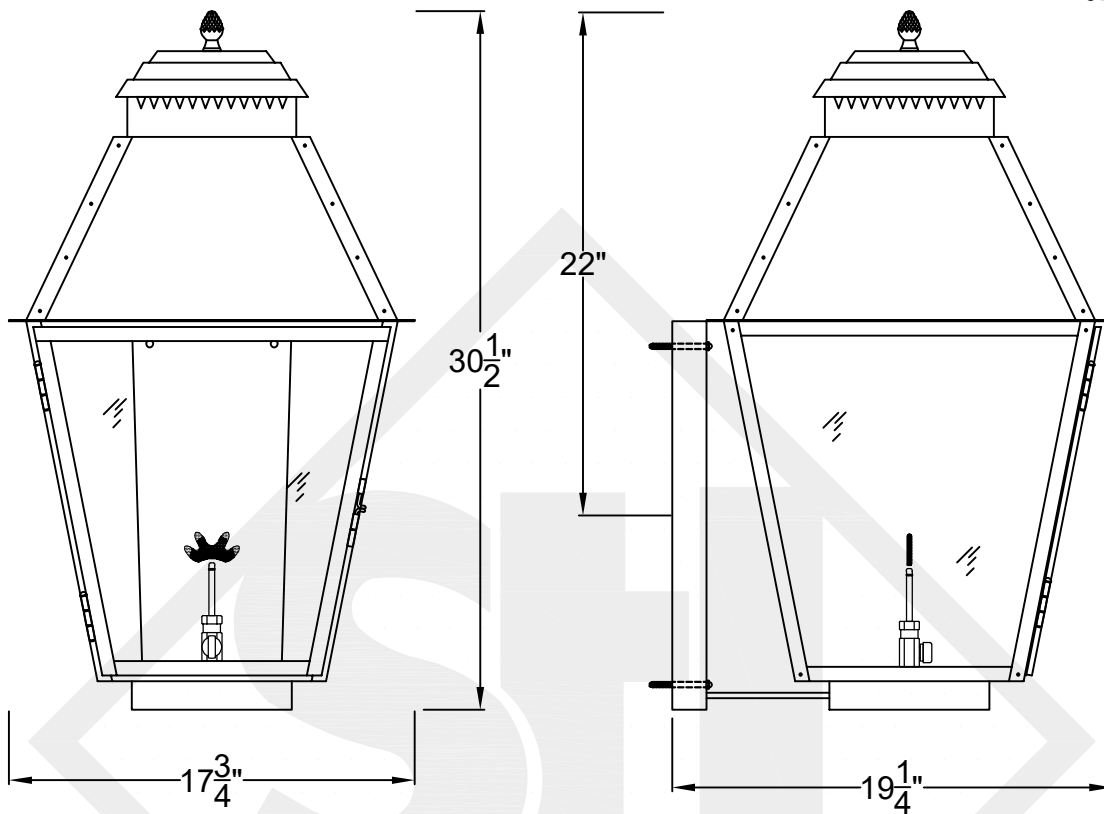
SCALE: N.T.S.	DRAFT: T. Herring
FILE: NATM	APP'D: J. Ragan
JOB: X	DATE: 8-17-2023

Lights are handcrafted.
Dimensions may vary by 1/4"

B.T.U. Rating
Natural Gas: 2730 B.T.U.
Propane: 2080 B.T.U.

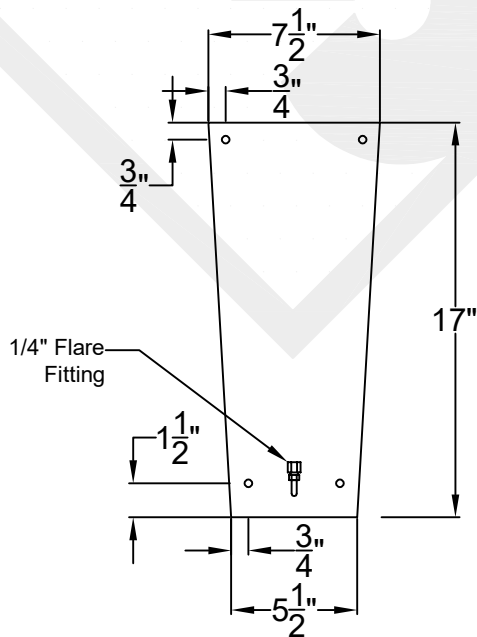
NATCHEZ LARGE COPPER WALL BRACKET

Available w/ Solid
or Glass Top



Front View

Side View



Backplate



St. James
LIGHTING

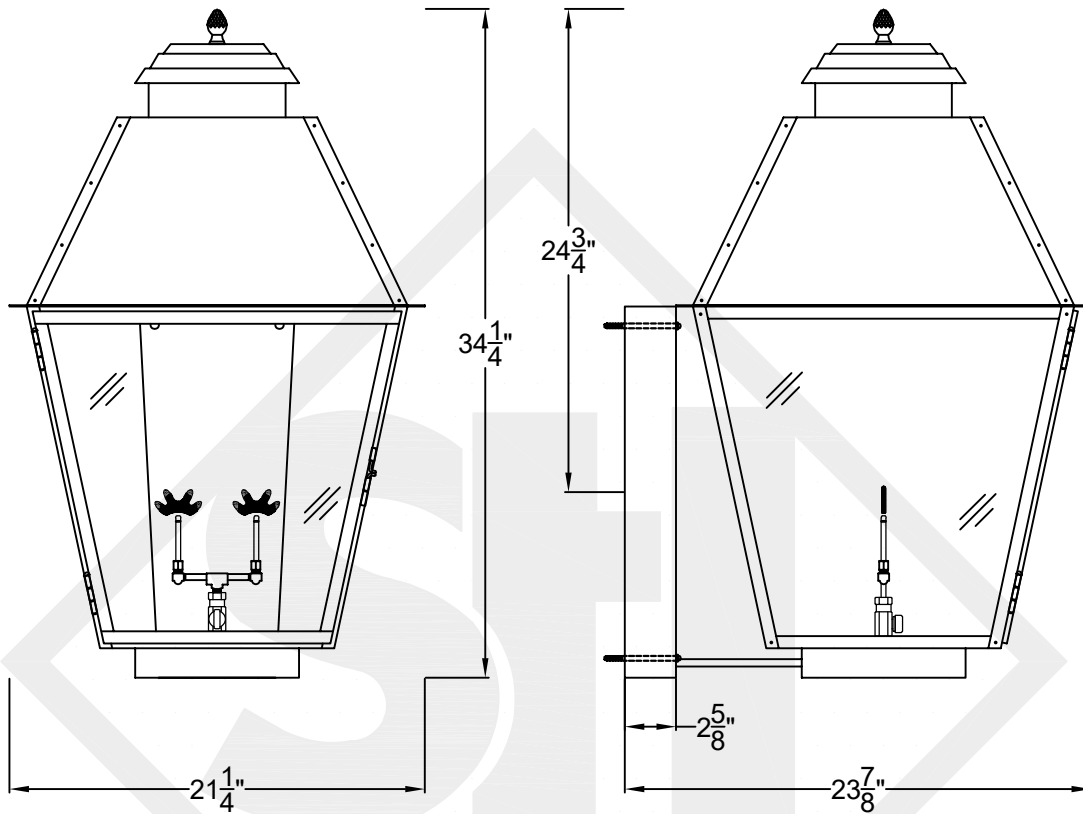
SCALE: N.T.S.	DRAFT: Y. McCullough
FILE: NATL	APP'D: J. Ragan
JOB: X	DATE: 11/20/23

Lights are handcrafted.
Dimensions may vary by 1/4"

B.T.U. Rating
Natural Gas: 5460 B.T.U.
Propane: 4160 B.T.U.

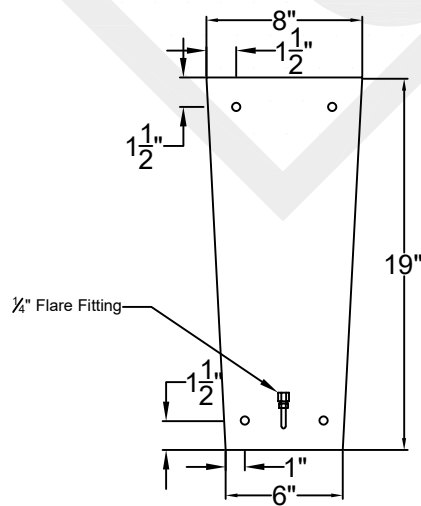
NATCHEZ GRANDE COPPER WALL BRACKET

Available w/ Solid
or Glass Top



Front View

Side View



Backplate



St. James
LIGHTING

SCALE: N.T.S.	DRAFT: Y. McCullough
FILE: NATG	APP'D: J. Ragan
JOB: X	DATE: 11/20/23

Lights are handcrafted.
Dimensions may vary by 1/4"

B.T.U. Rating
Natural Gas: 5460 B.T.U.
Propane: 4160 B.T.U.