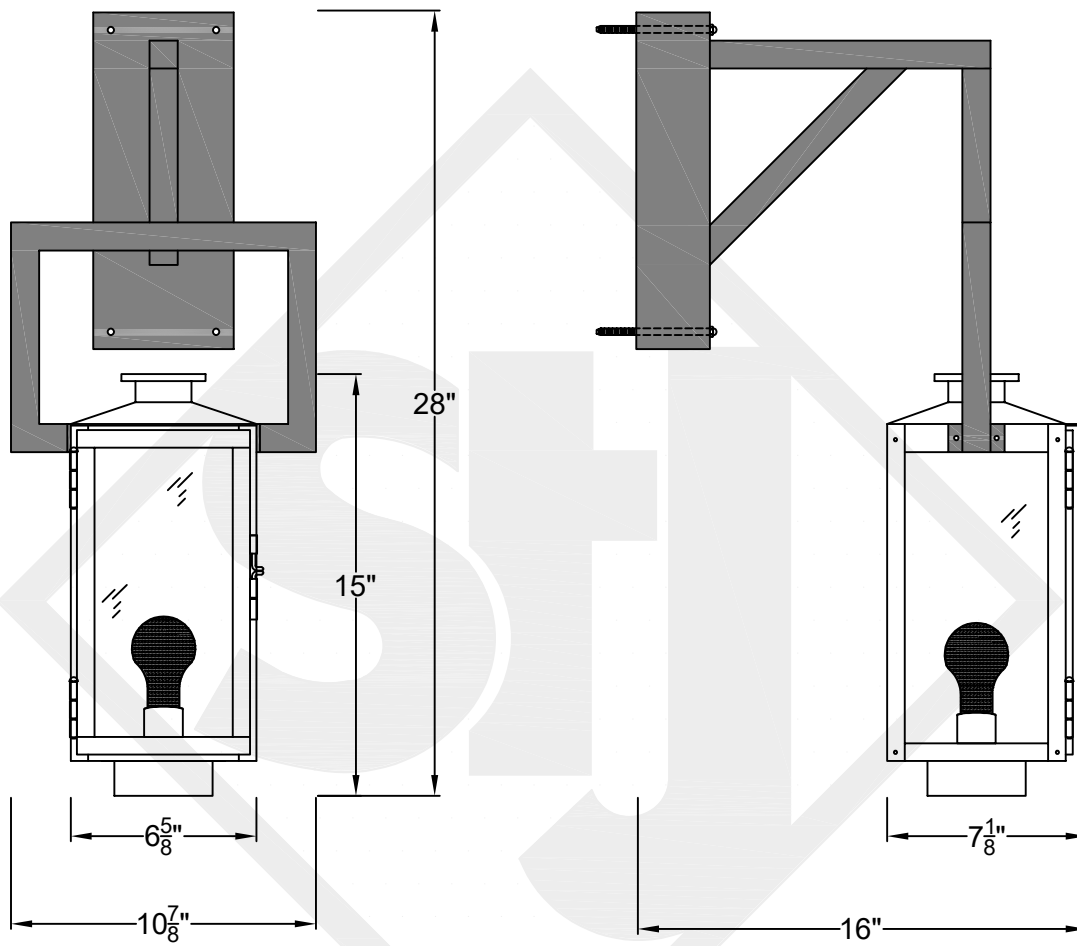


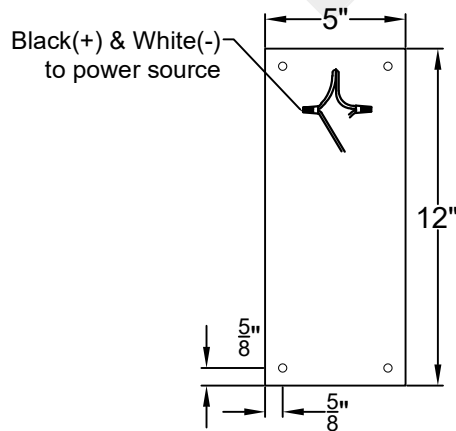
# OXFORD MINI WALL MOUNT HALF YOKE

Shortest Height 23 <sup>1</sup>/<sub>2</sub>"



Front View

Side View



Backplate



**St. James  
LIGHTING**

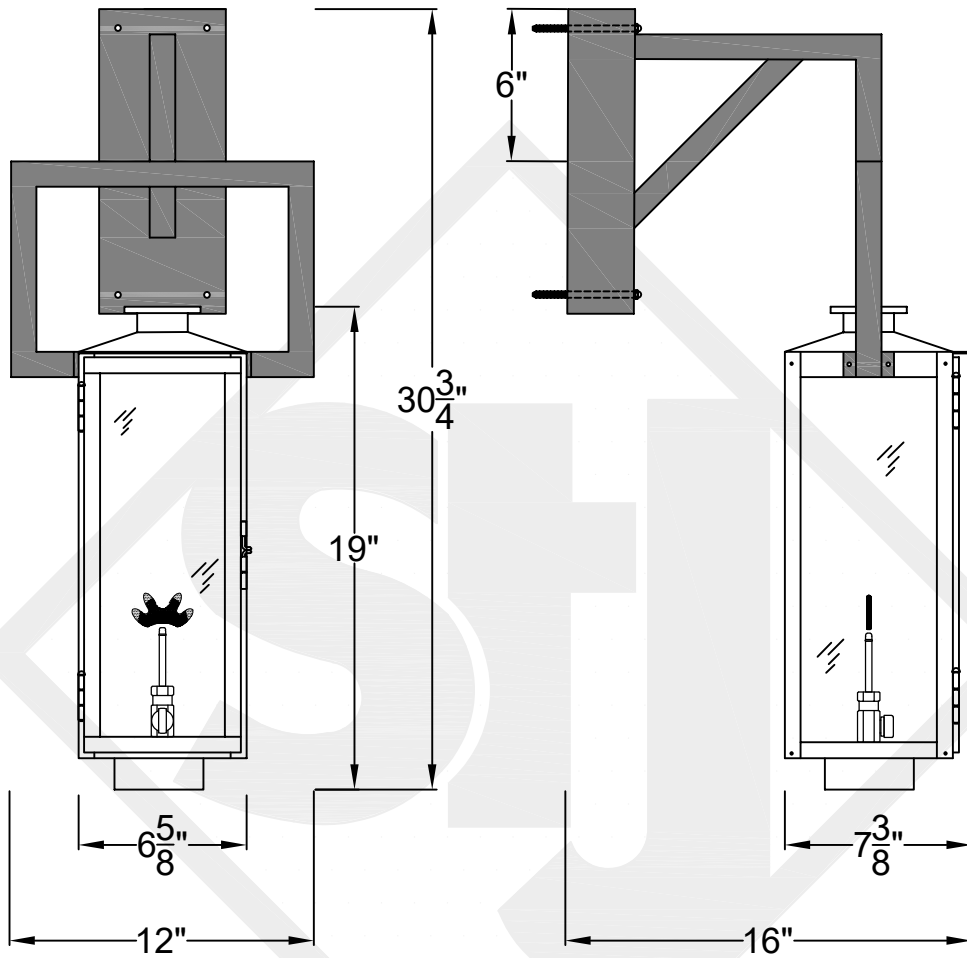
SCALE: N.T.S.	DRAFT: Y. McCullough
FILE: OXFMINI	APP'D: J. Ragan
JOB: X	DATE: 11/29/23

Lights are handcrafted.  
Dimensions may vary by 1/4"

UL Certified  
Candelabra- Max 60 Watt Bulb  
Edison- Max 660 Watt Bulb

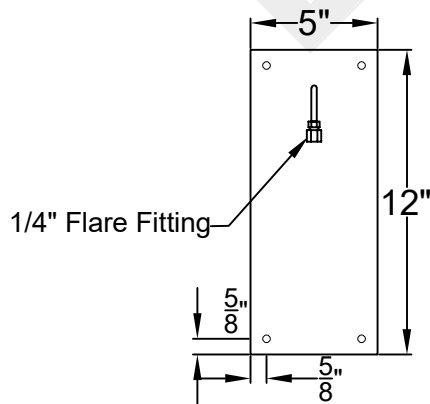
# OXFORD SMALL WALL MOUNT HALF YOKE

Shortest Height  $30\frac{3}{4}$ "



Front View

Side View



Backplate



St. James  
LIGHTING

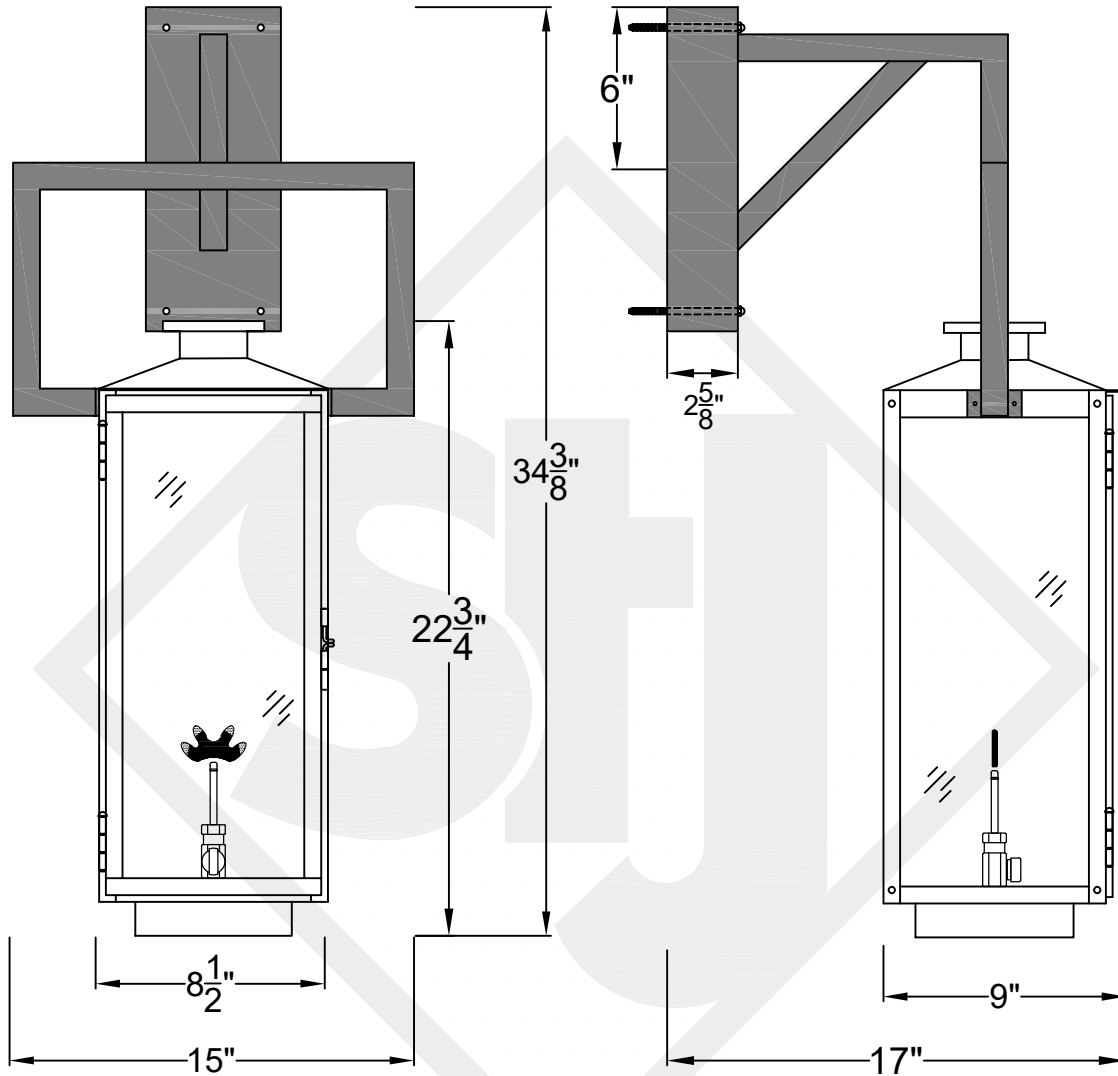
SCALE: N.T.S.	DRAFT: T. Herring
FILE: OXFS	APP'D: J. Ragan
JOB: X	DATE: 8-28-2023

Lights are handcrafted.  
Dimensions may vary by 1/4"

B.T.U. Rating  
Natural Gas: 2730 B.T.U.  
Propane: 2080 B.T.U.

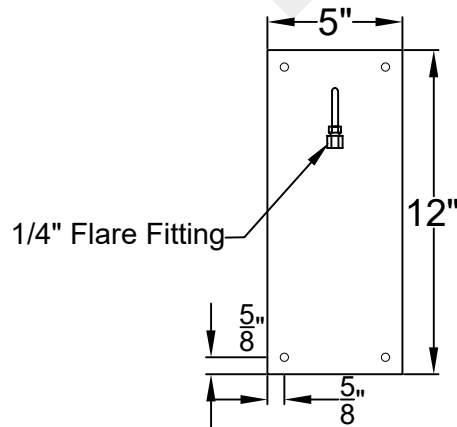
# OXFORD MEDIUM WALL MOUNT HALF YOKE

Shortest Height 34  $\frac{3}{8}$ "



Front View

Side View



Backplate



St. James  
LIGHTING

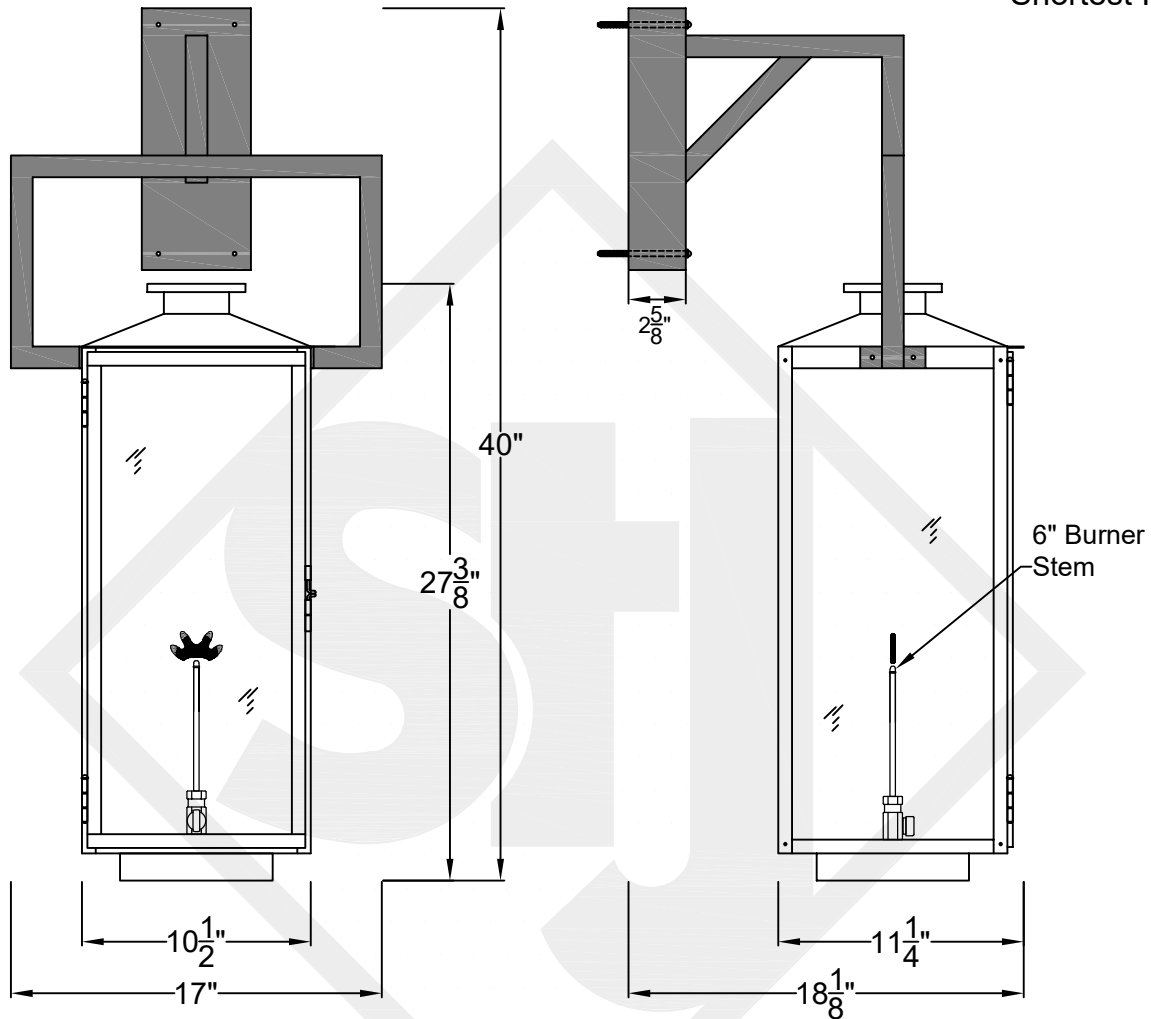
SCALE: N.T.S.	DRAFT: Y. McCullough
FILE: OXFM	APP'D: J. Ragan
JOB: X	DATE: 11/29/23

Lights are handcrafted.  
Dimensions may vary by 1/4"

B.T.U. Rating  
Natural Gas: 2730 B.T.U.  
Propane: 2080 B.T.U.

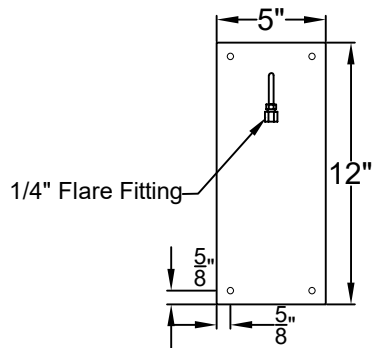
# OXFORD LARGE WALL MOUNT HALF YOKE

Shortest Height 39"



Front View

Side View



Backplate



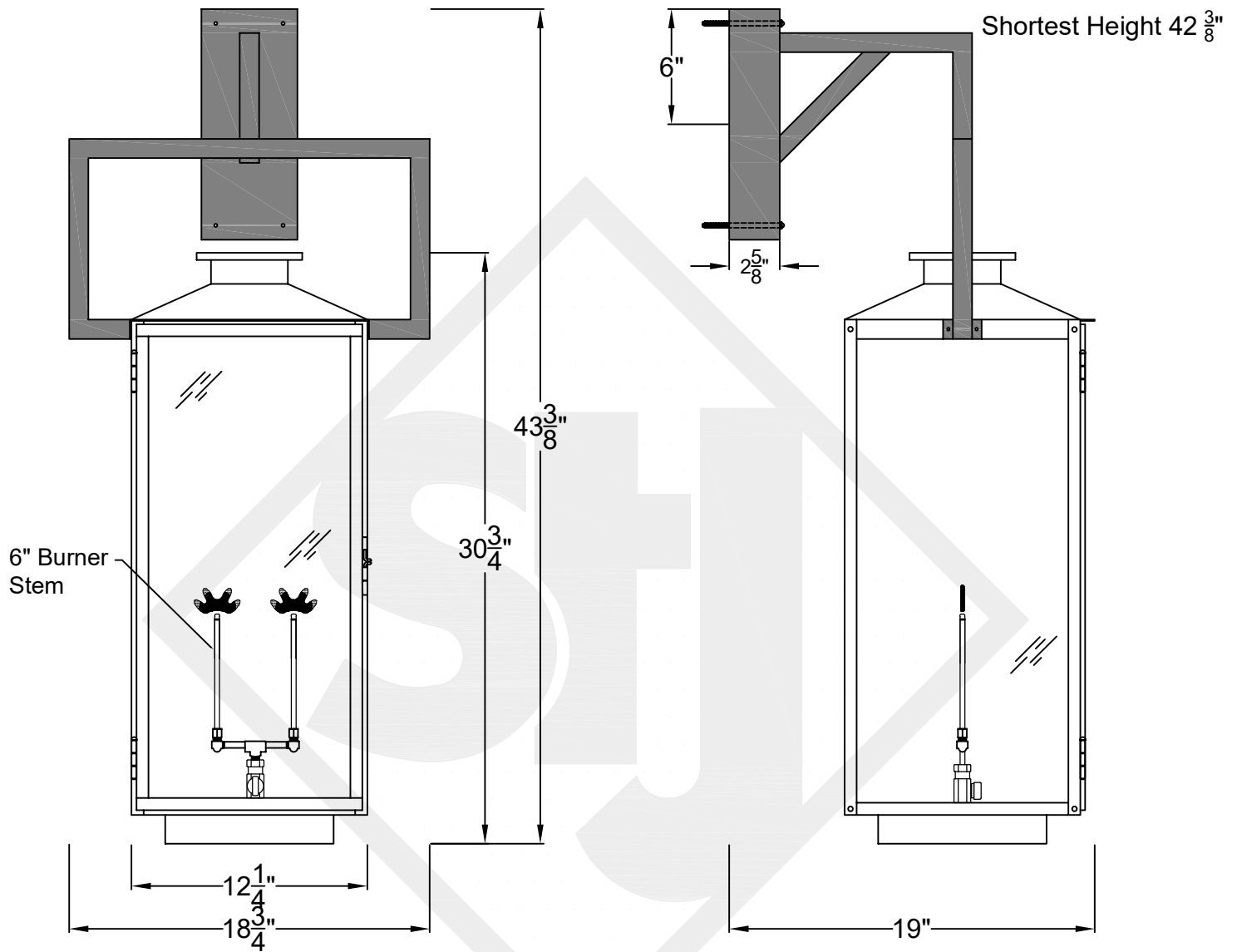
**St. James  
LIGHTING**

SCALE: N.T.S.	DRAFT: Y. McCullough
FILE: OXFL	APP'D: J. Ragan
JOB: X	DATE: 11/29/23

Lights are handcrafted.  
Dimensions may vary by 1/4"

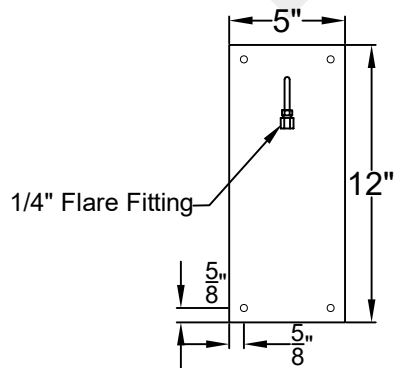
B.T.U. Rating  
Natural Gas: 2730 B.T.U.  
Propane: 2080 B.T.U.

# OXFORD GRANDE WALL MOUNT HALF YOKE



Front View

Side View



Backplate



St. James  
LIGHTING

SCALE: N.T.S.	DRAFT: Y. McCullough
FILE: OXFG	APP'D: J. Ragan
JOB: X	DATE: 11/29/23

Lights are handcrafted.  
Dimensions may vary by 1/4"

B.T.U. Rating  
Natural Gas: 5460 B.T.U.  
Propane: 4160 B.T.U.