

TYPICAL INSTALLATION INSTRUCTIONS

COPPER WALL BRACKET-AUTOMATIC IGNITION

Applies to all Copper Wall Mounted lanterns
Sizes : Small & Medium

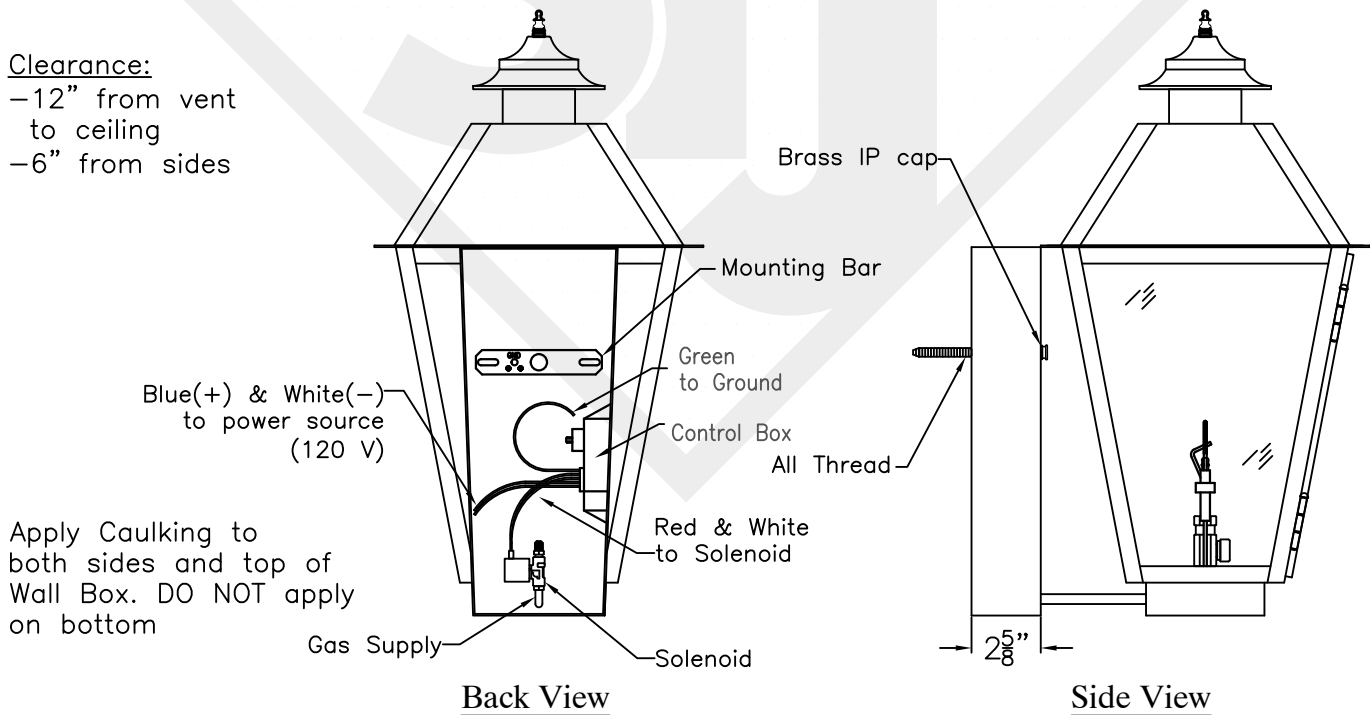
Light Supplied w/
 1-Mounting Bar
 1-Brass IP Cap
 1-3"x 1/8" IP All Thread Nipple

Natural Gas Requires 7" W.C. BTU 2730
 Propane Gas Requires 11" W.C. BTU 2080

Attach the Mounting Bar that's provided to the junction box with screws. Screw All Thread Nipple into the Mounting Bar, leaving enough of the nipple to penetrate through the hole in the bracket. Connect the gas line from the lantern to the main. Make sure to test the fittings for gas leaks before securing the lantern to the wall. Connect wires to power source, Blue to Black & White to White. Position light over the all thread nipple and attach cap, tightening to securely mount light.

Clearance:

- 12" from vent to ceiling
- 6" from sides



Apply Caulking to both sides and top of Wall Box. DO NOT apply on bottom

CAUTION: Risk of fire or electric shock

This product is to be installed by a qualified Plumber ONLY. Installation must conform with all local codes or, in the absence of local codes, to UL 1598, Gas Code ANSI Z21.42 – 2004, Gas Illuminating Appliance

Typical Install Copper Wall Bracket AI	
St. James LIGHTING	
SCALE: N.T.S.	DRAFT: B. Vial
FILE: INSTALL	APP'D: J. Ragon
JOB: X	DATE: 10/11/17

TYPICAL INSTALLATION INSTRUCTIONS

COPPER WALL BRACKET – AUTOMATIC IGNITION

Applies to all Copper Wall Mounted lanterns
Sizes : Large & Grande

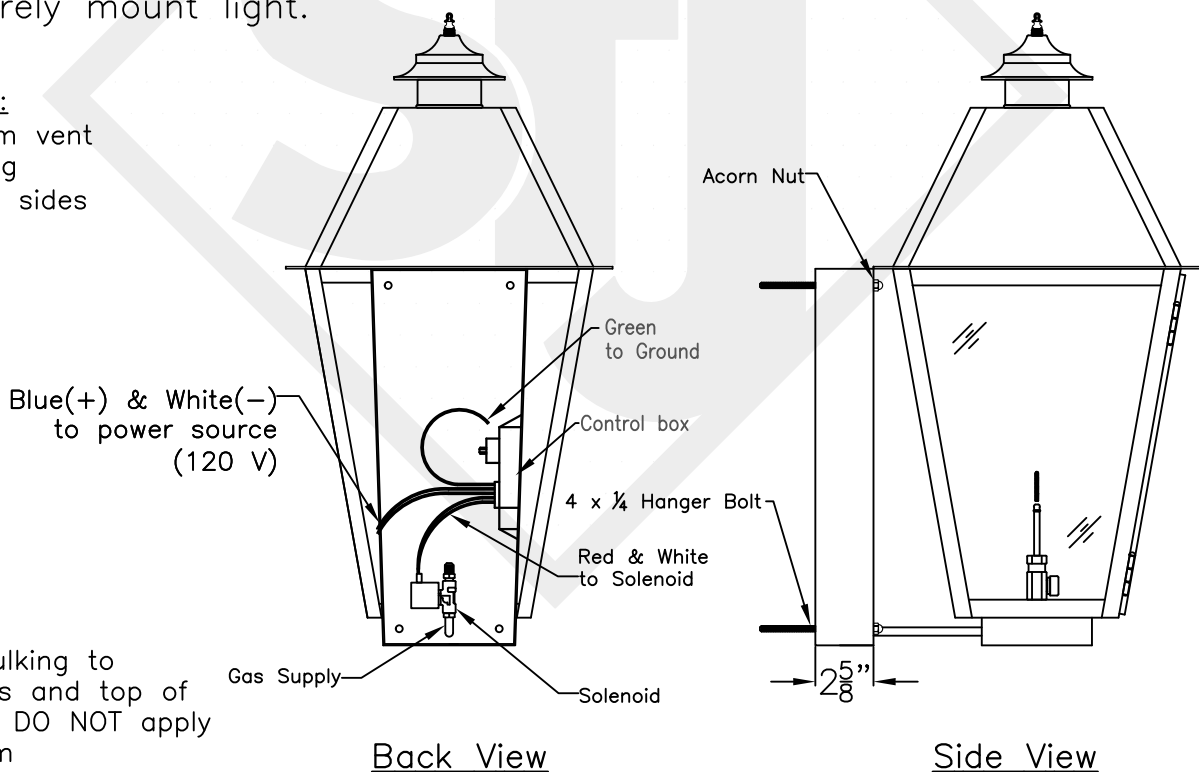
Light Supplied w/
 4-#8-32 Acorn Nuts
 4-5"x ¼" Hanger Bolt

Natural Gas Requires 7" W.C. BTU 2730
 Propane Gas Requires 11" W.C. BTU 2080

Screw the Hanger Bolt (anchors may be needed for some brick/stone applications) into the wall leaving enough to penetrate through the holes in the Wall Bracket. Connect the gas line from the lantern to the main. Make sure to test the fittings for gas leaks before securing the lantern to the wall. Connect wires to power source, Blue to Black & White to White. Position light over the Hanger Bolts and attach the Acorn Nuts, tightening to securely mount light.

Clearance:


-12" from vent
 to ceiling
 -6" from sides



Apply Caulking to both sides and top of Wall Box. DO NOT apply on bottom

CAUTION: Risk of fire or electric shock

This product is to be installed by a qualified Plumber ONLY. Installation must conform with all local codes or, in the absence of local codes, to UL 1598, Gas Code ANSI Z21.42 – 2004, Gas Illuminating Appliance

Typical Install Copper Wall Bracket AI	
 St. James LIGHTING	
SCALE: N.T.S.	DRAFT: B. Vial
FILE: INSTALL	APP'D: J. Ragon
JOB: X	DATE: 10/11/17