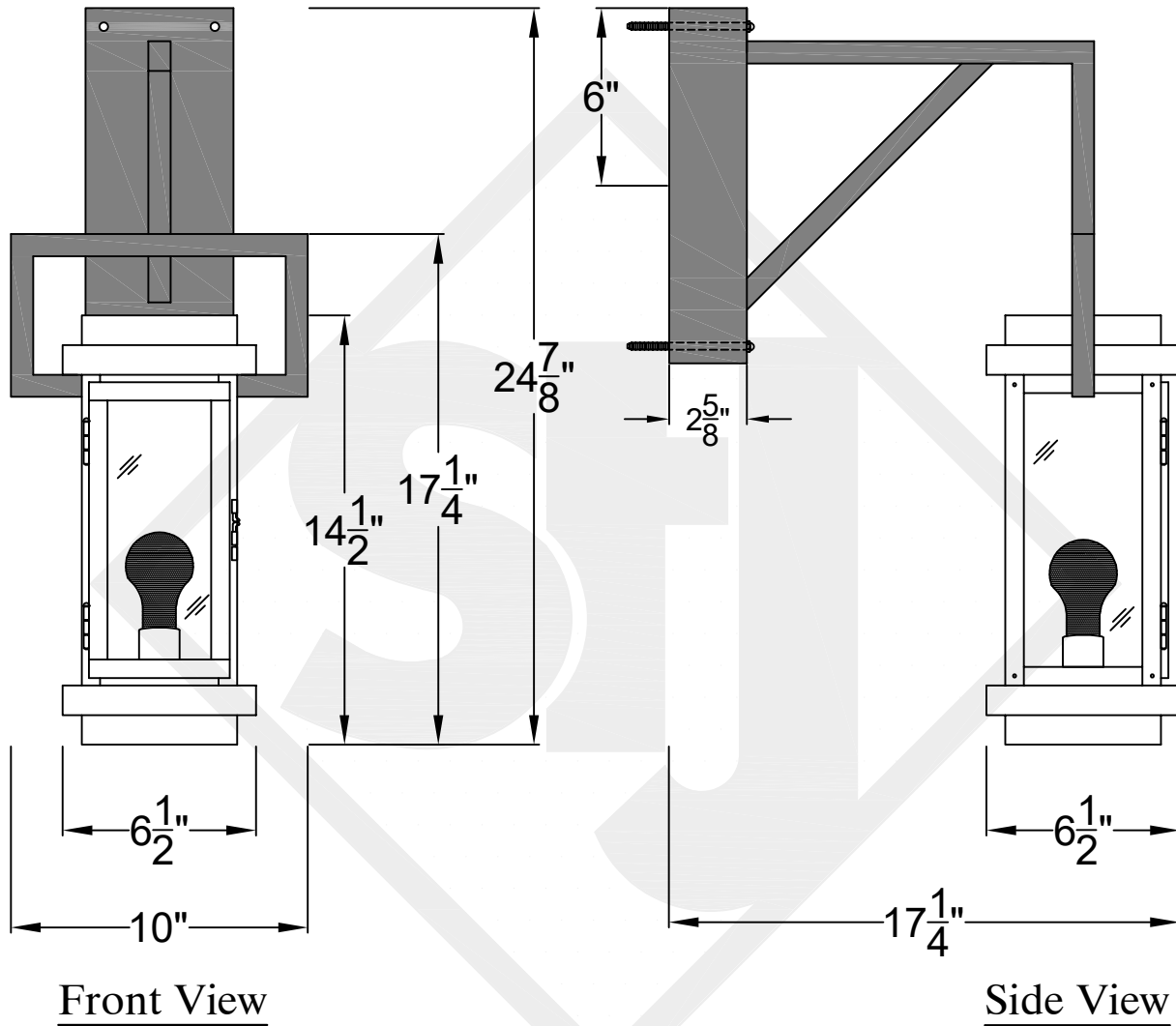


WINNIPEG MINI WALL MOUNT HALF YOKE

Shortest Height 21 $\frac{1}{8}$ "



Front View

Side View

Backplate



St. James
LIGHTING

SCALE: N.T.S.	DRAFT: T. Herring
FILE: WINMINI	APP'D: J. Ragan
JOB: X	DATE: 8-29-2023

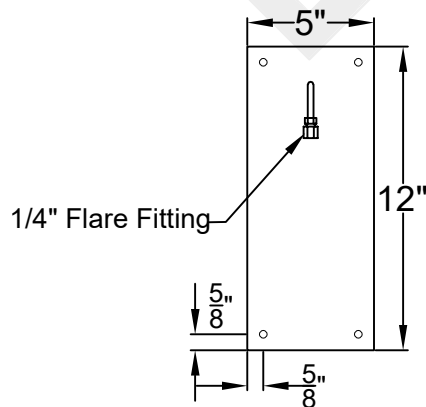
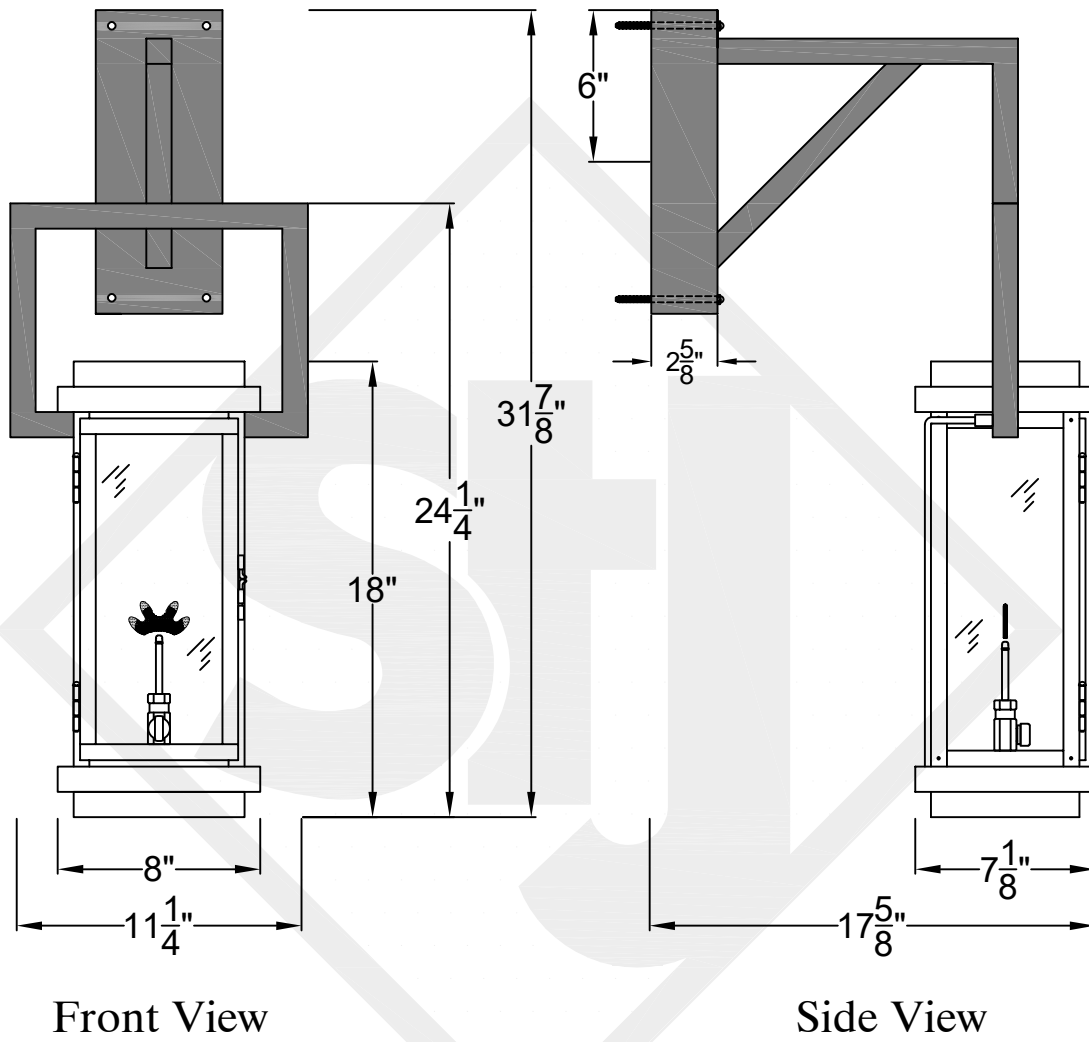
Lights are handcrafted.
Dimensions may vary by 1/4"

Mini not Available in Gas

UL Certified
Candelabra- Max 60 Watt Bulb
Edison- Max 660 Watt Bulb

WINNIPEG SMALL WALL MOUNT HALF YOKE

Shortest Height $28 \frac{1}{8}$ "



**St. James
LIGHTING**

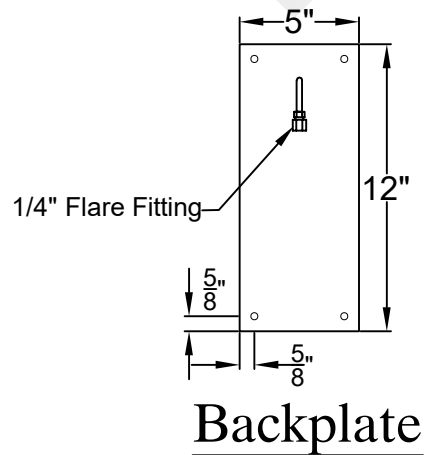
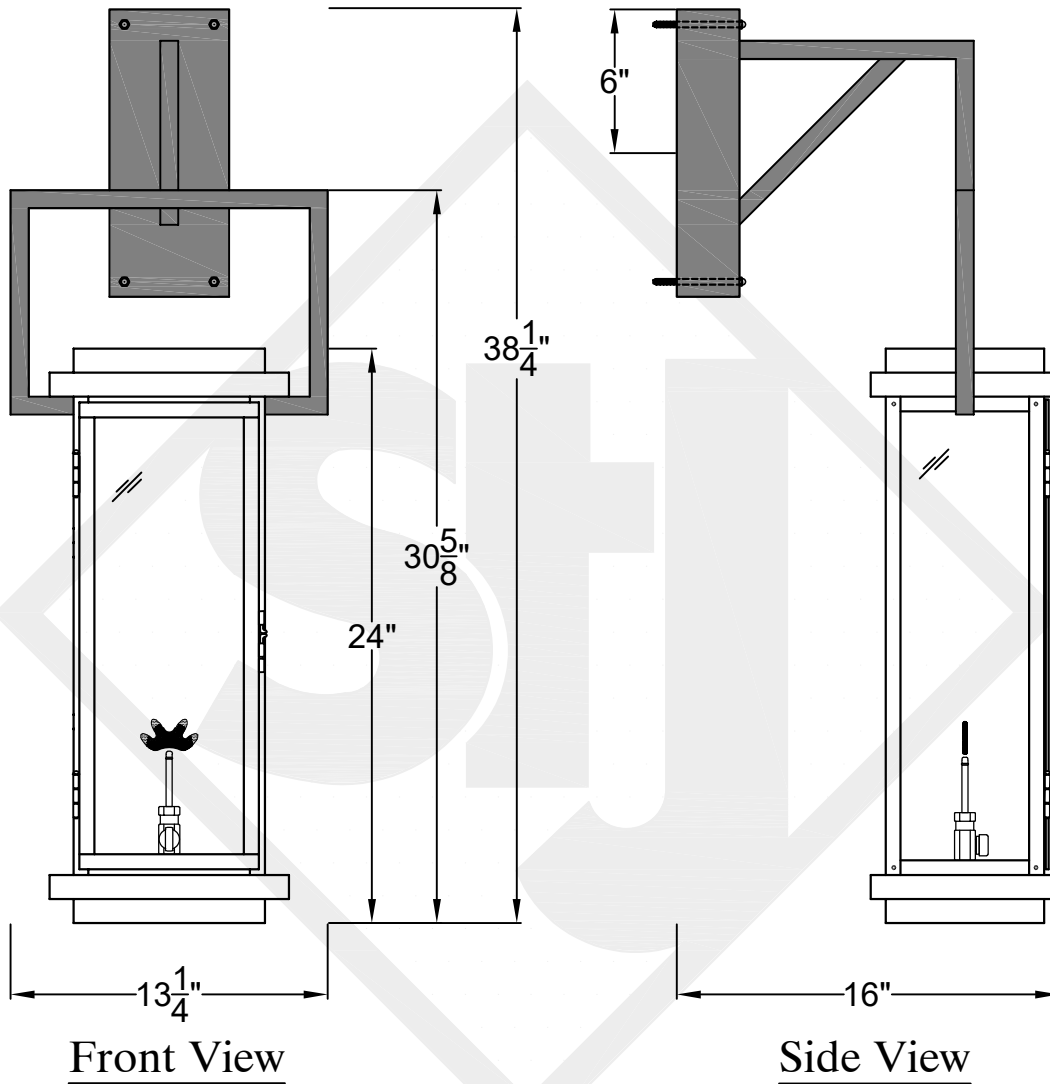
SCALE: N.T.S.	DRAFT: T. Herring
FILE: WINS	APP'D: J. Ragan
JOB: X	DATE: 8-29-2023


Lights are handcrafted.
Dimensions may vary by 1/4"

B.T.U. Rating
Natural Gas: 2730 B.T.U.
Propane: 2080 B.T.U.

WINNIPEG MEDIUM WALL MOUNT HALF YOKE

Shortest Height 34 "



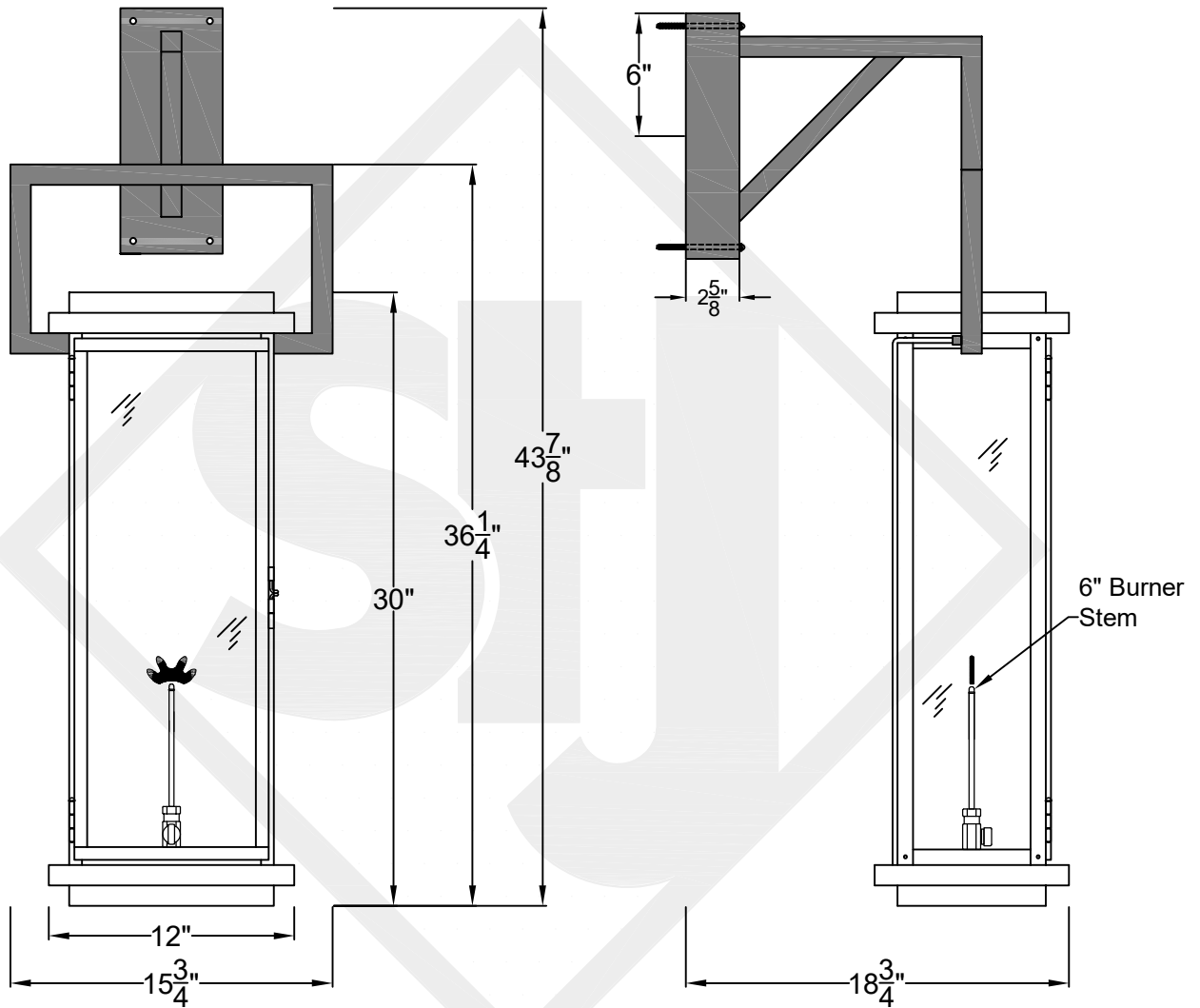
	LIGHTING
SCALE: N.T.S.	DRAFT: T. Herring
FILE: WINM	APP'D: J. Ragan
JOB: X	DATE: 8-28-2023

Lights are handcrafted.
Dimensions may vary by 1/4"

B.T.U. Rating
Natural Gas: 2730 B.T.U.
Propane: 2080 B.T.U.

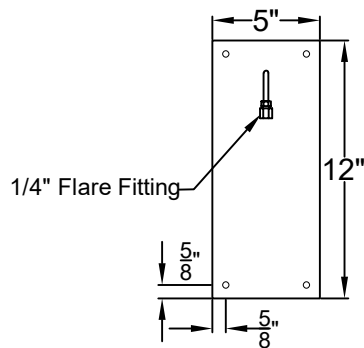
WINNIPEG LARGE WALL MOUNT HALF YOKE

Shortest Height 40 $\frac{1}{8}$ "



Front View

Side View



Backplate



St. James
LIGHTING

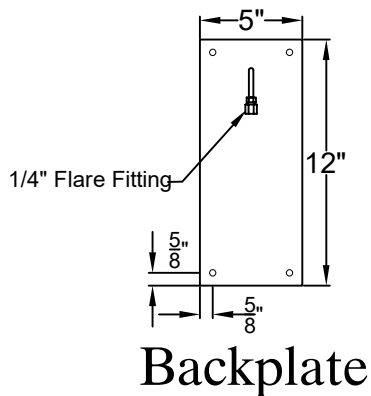
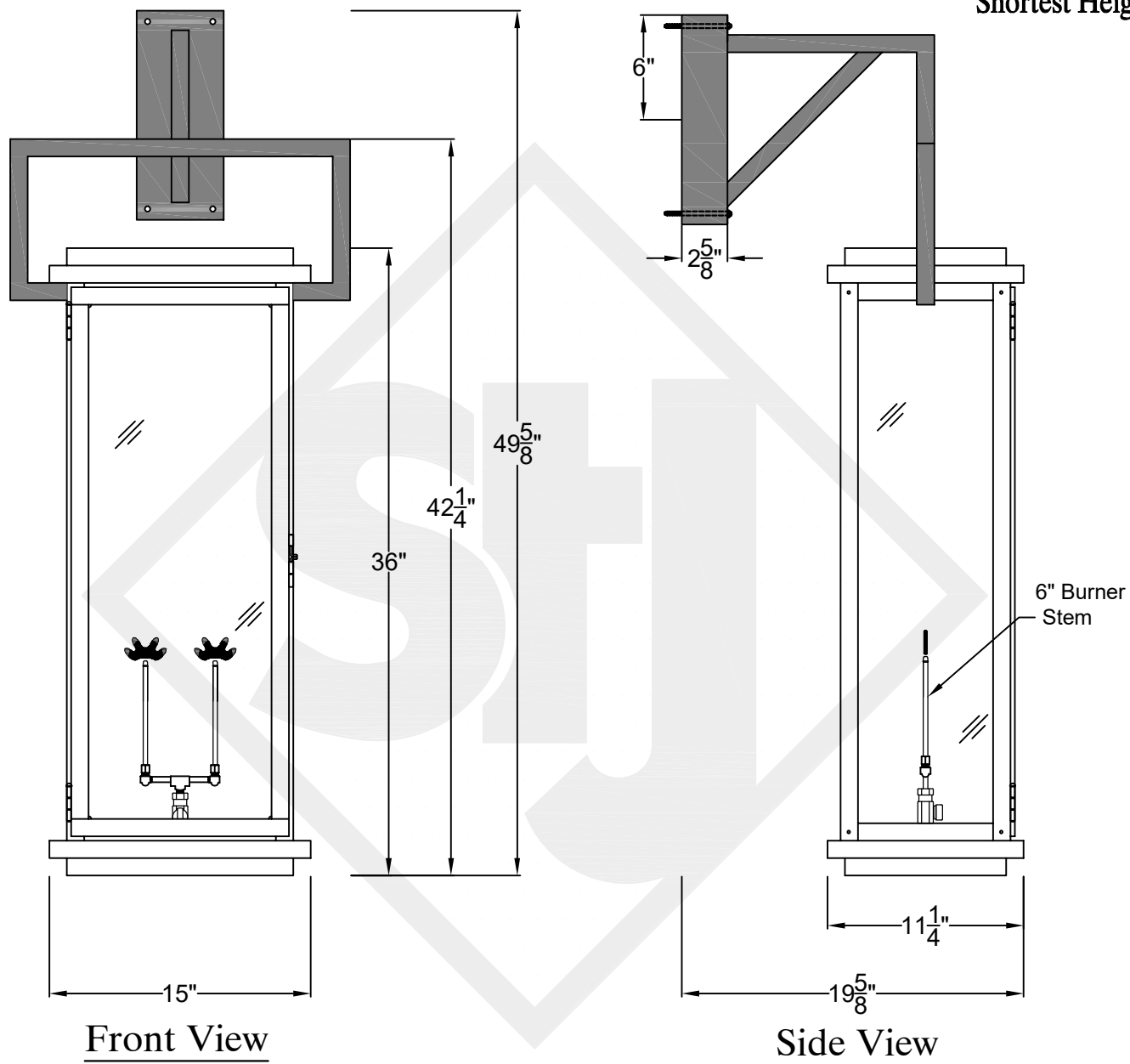
SCALE: N.T.S.	DRAFT: Y. McCullough
FILE: WINL	APP'D: J. Ragan
JOB: X	DATE: 12/6/23

Lights are handcrafted.
Dimensions may vary by 1/4"

B.T.U. Rating
Natural Gas: 2730 B.T.U.
Propane: 2080 B.T.U.

WINNIPEG GRANDE WALL MOUNT HALF YOKE

Shortest Height 46"



St. James
LIGHTING

SCALE: N.T.S. DRAFT: Y. McCullough
FILE: WING APP'D: J. Ragan
JOB: X DATE: 12/6/23

Lights are handcrafted.
Dimensions may vary by 1/4"

B.T.U. Rating
Natural Gas: 5460 B.T.U.
Propane: 4160 B.T.U.