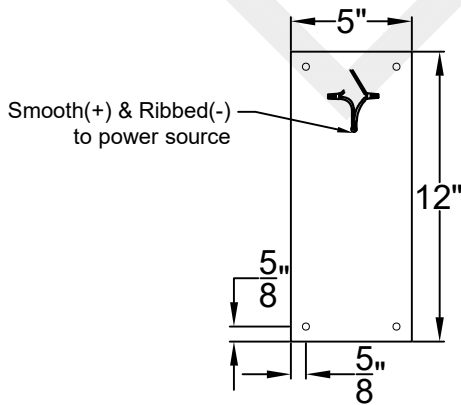
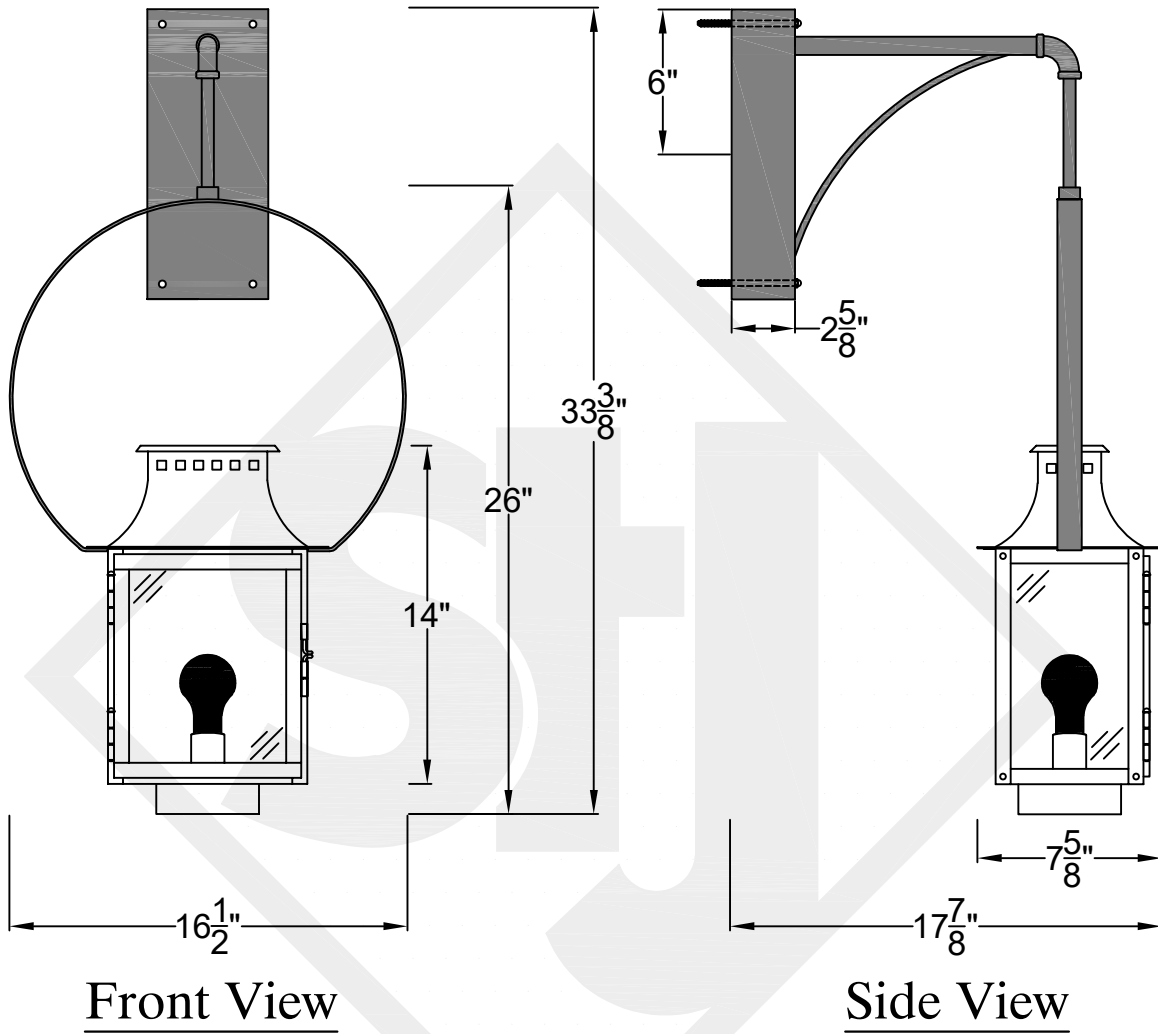


# ASPEN MINI WALL MOUNT HALF YOKE

Shortest Height 29 <sup>3</sup>/<sub>4</sub>"



**St. James  
LIGHTING**

SCALE: N.T.S.	DRAFT: Y. McCullough
FILE: ASPMINI	APP'D: J. Ragan
JOB: X	DATE: 11/13/23

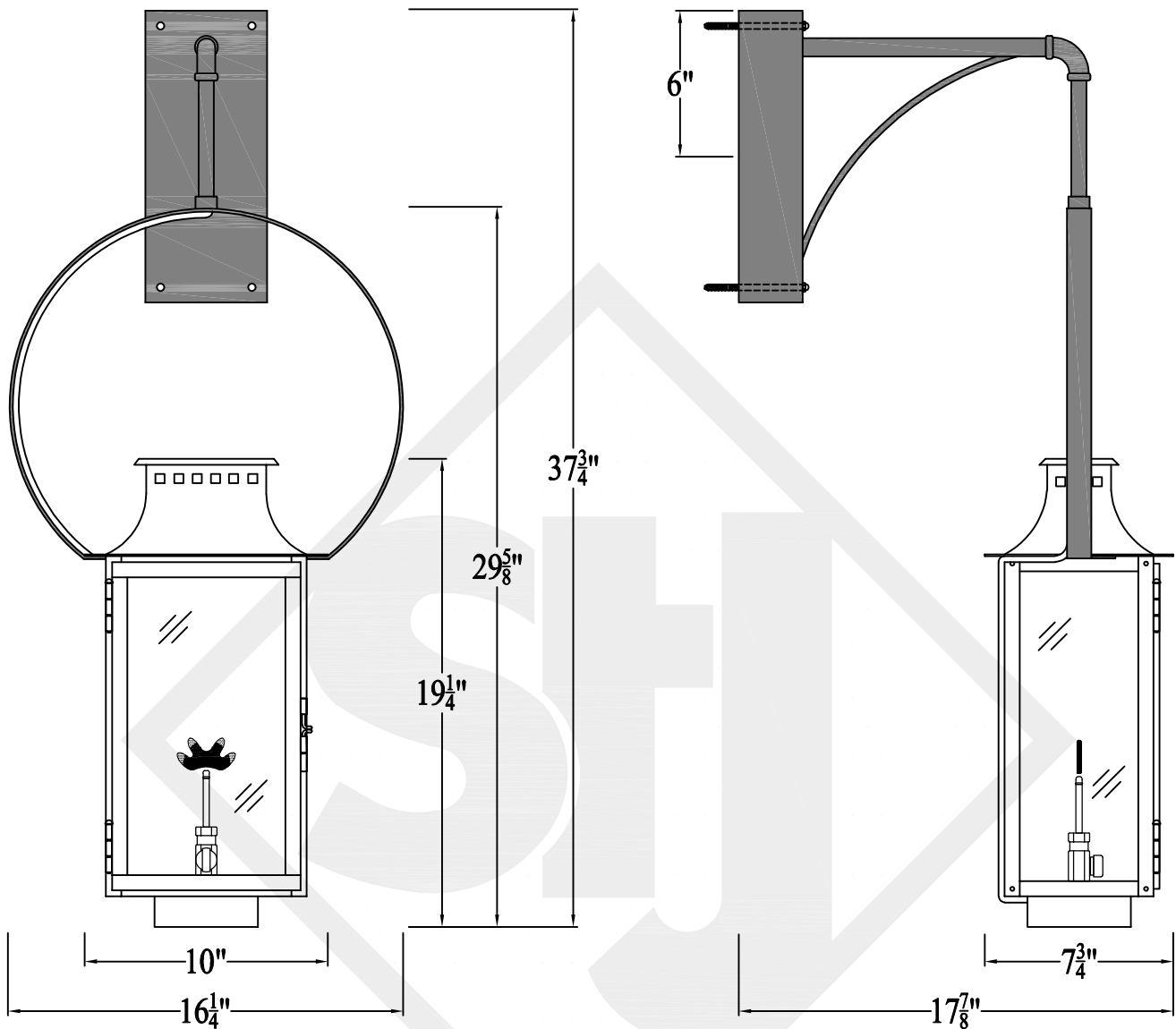
Lights are handcrafted.  
Dimensions may vary by 1/4"

UL Certified  
Candelabra- Max 60 Watt Bulb  
Edison- Max 660 Watt Bulb

Mini not available in gas

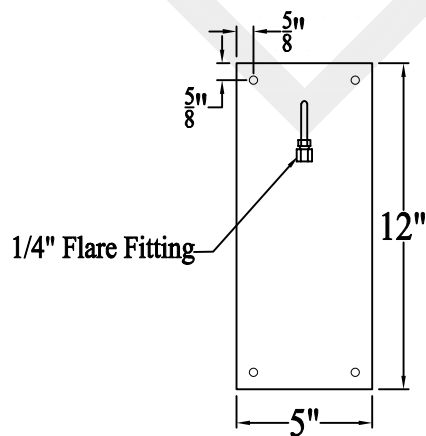
# ASPEN SMALL WALL MOUNT HALF YOKE

Shortest Height 33  $\frac{7}{8}$ "



Front View

Side View



Backplate



St. James  
LIGHTING

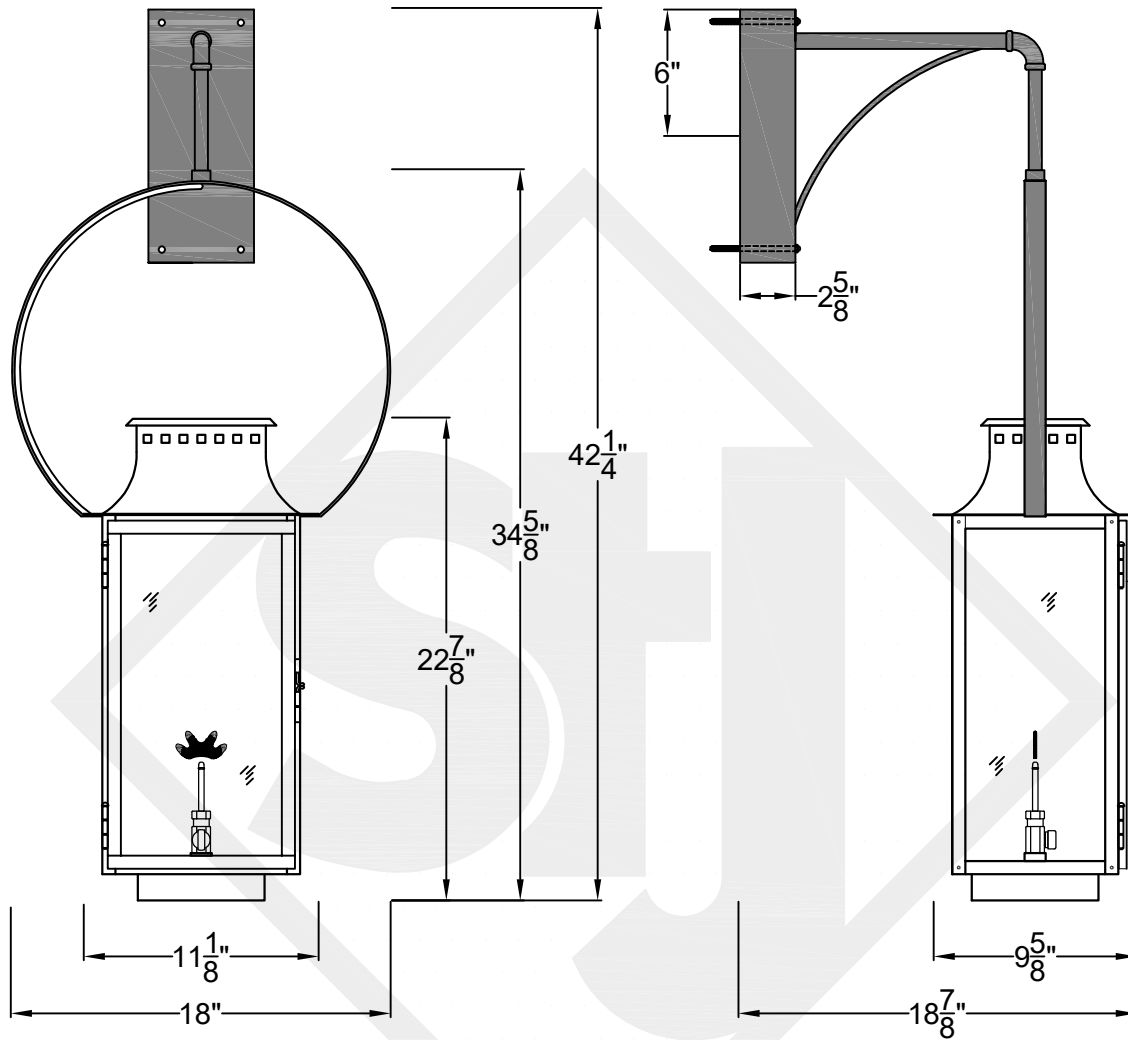
SCALE: N.T.S.	DRAFT: J. Grippo
FILE: ASPS	APP'D: J. Ragan
JOB: X	DATE: 11/9/23

Lights are handcrafted.  
Dimensions may vary by 1/4"

B.T.U. Rating  
Natural Gas: 2730 B.T.U.  
Propane: 2080 B.T.U.

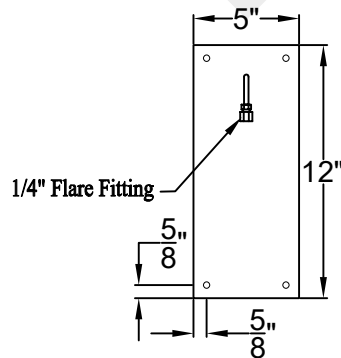
# ASPEN MEDIUM WALL MOUNT HALF YOKE

Shortest Height 36  $\frac{1}{2}$ "



Front View

Side View



Backplate



St. James  
LIGHTING

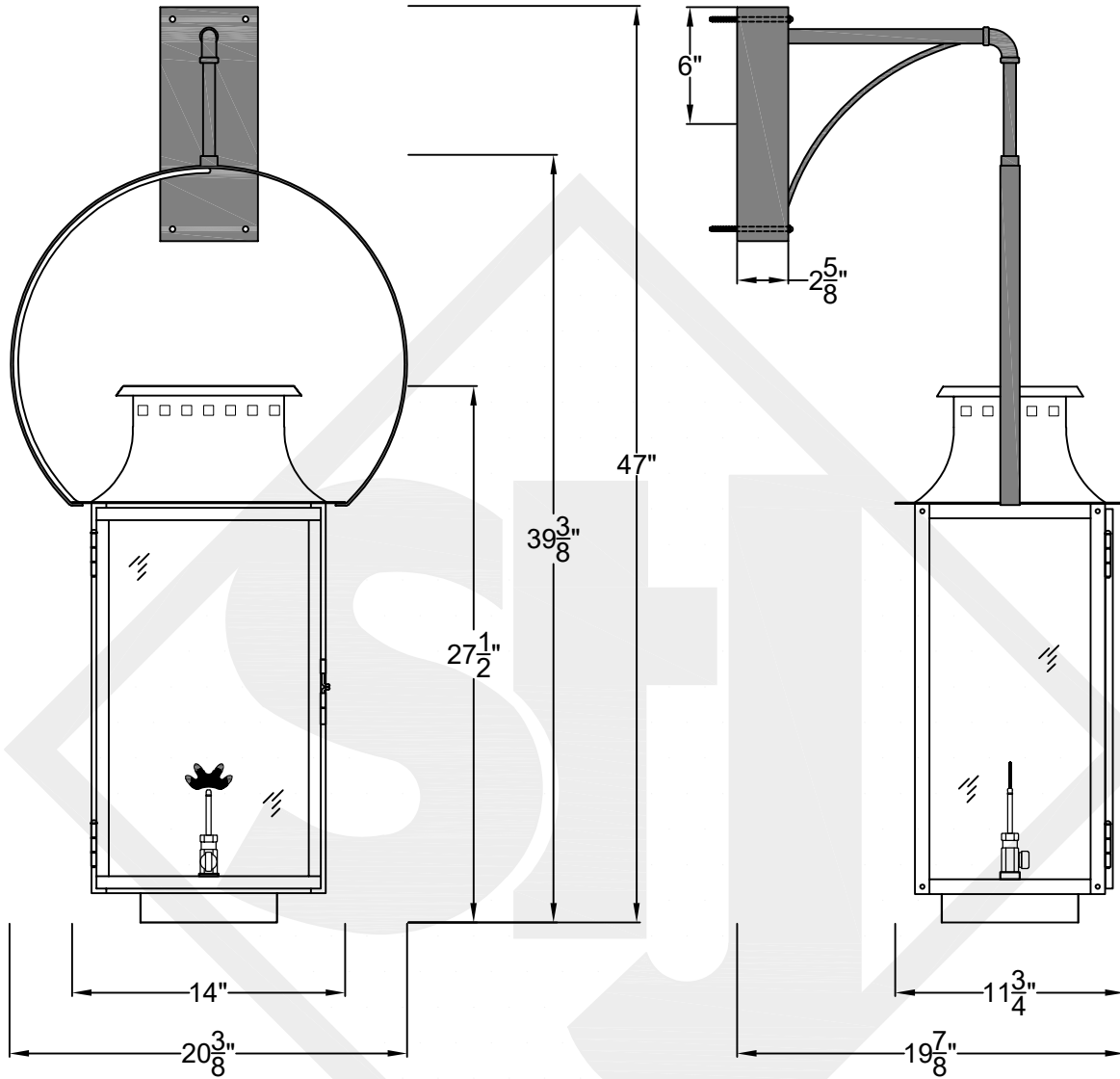
SCALE: N.T.S.	DRAFT: T. Herring
FILE: ASPM	APP'D: J. Ragan
JOB: X	DATE: 4-10-2023

Lights are handcrafted.  
Dimensions may vary by 1/4"

B.T.U. Rating  
Natural Gas: 2730 B.T.U.  
Propane: 2080 B.T.U.

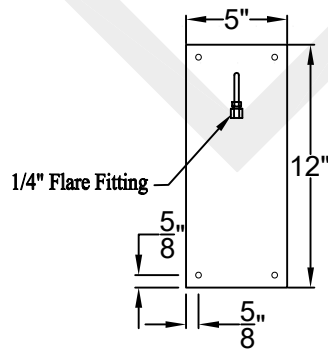
# ASPEN LARGE WALL MOUNT HALF YOKE

Shortest Height  $43 \frac{1}{8}"$



Front View

Side View



Backplate



St. James  
LIGHTING

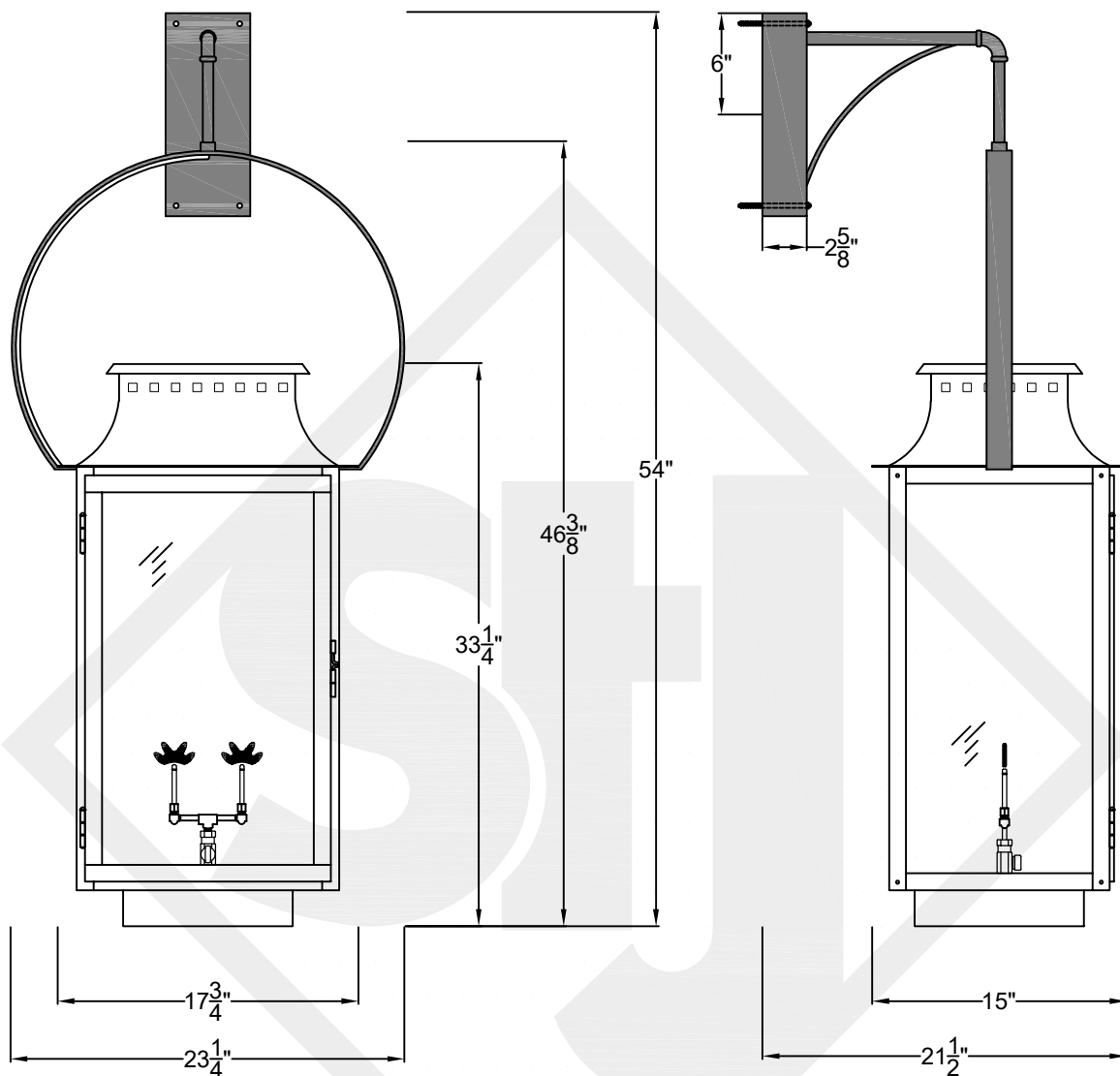
SCALE: N.T.S.	DRAFT: T. Herring
FILE: ASPL	APP'D: J. Ragan
JOB: X	DATE: 4-10-2023

Lights are handcrafted.  
Dimensions may vary by 1/4"

B.T.U. Rating  
Natural Gas: 2730 B.T.U.  
Propane: 2080 B.T.U.

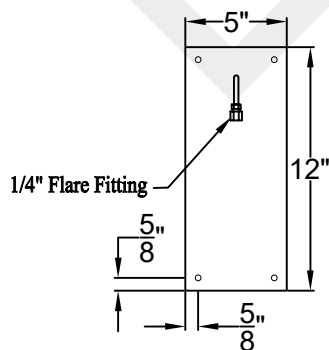
# ASPEN GRANDE WALL MOUNT HALF YOKE

Shortest Height 50  $\frac{1}{8}$ "



Front View

Side View



Backplate



St. James  
LIGHTING

SCALE: N.T.S.	DRAFT: T. Herring
FILE: ASPG	APP'D: J. Ragan
JOB: X	DATE: 4-10-2023

Lights are handcrafted.  
Dimensions may vary by 1/4"

B.T.U. Rating  
Natural Gas: 5460 B.T.U.  
Propane: 4160 B.T.U.