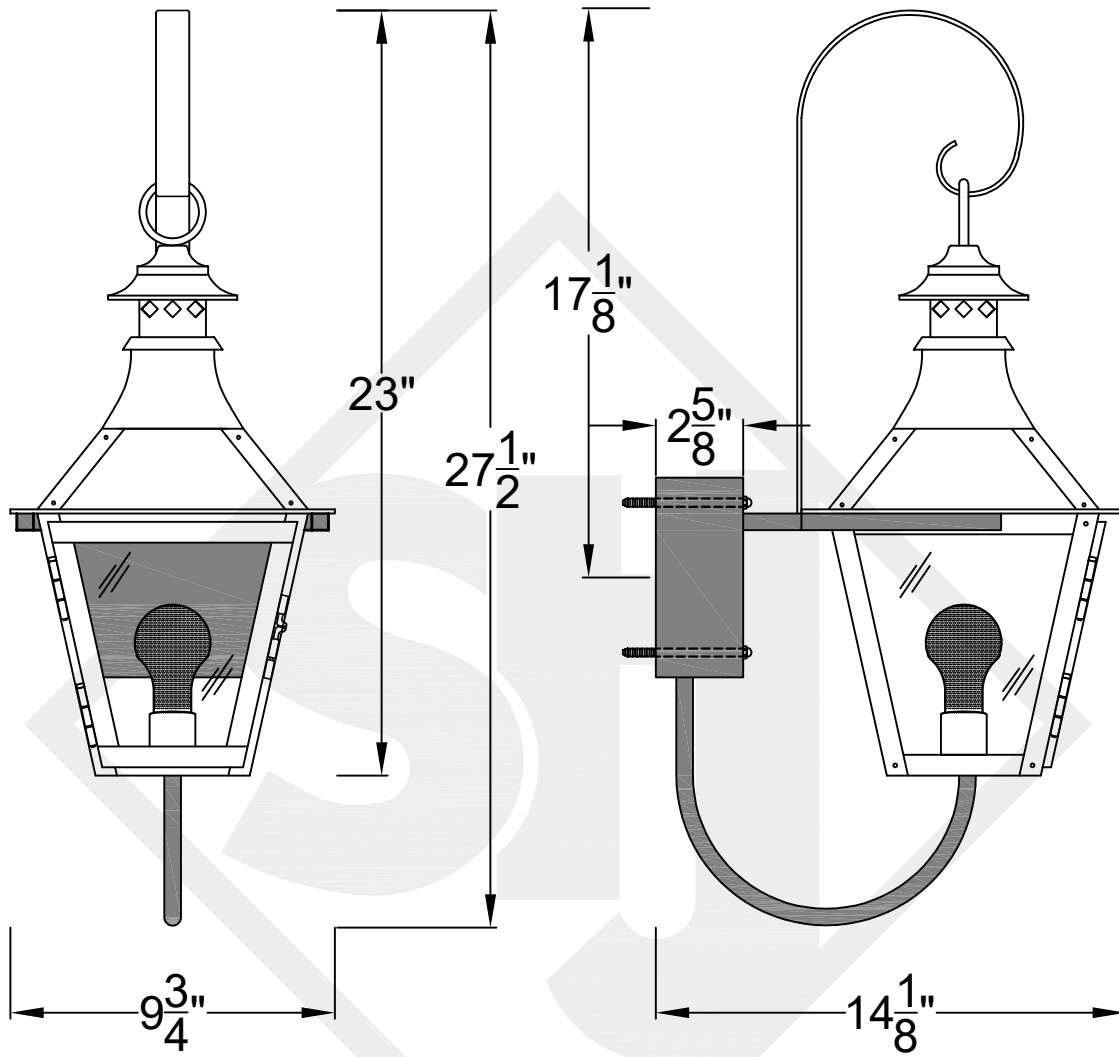


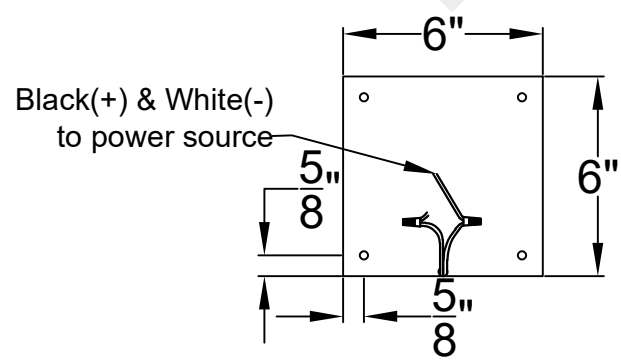
# CHESAPEAKE MINI STEEL WALL MOUNT

Available in Solid  
or Glass Top




Front View

Side View



Backplate

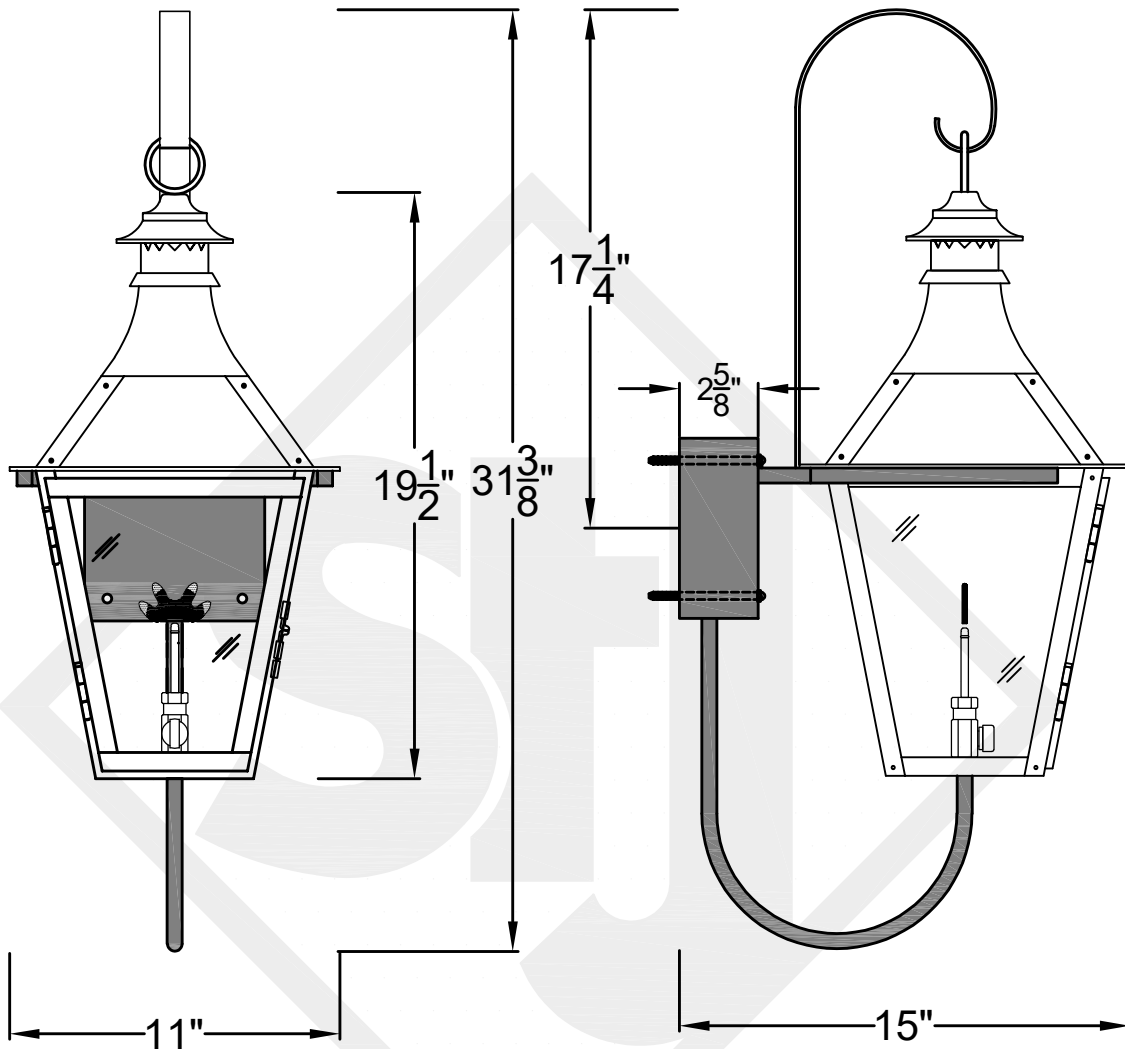
 <b>St. James LIGHTING</b>	
SCALE: N.T.S.	DRAFT: Y. McCullough
FILE: CHEMINI	APP'D: J. Ragan
JOB: X	DATE: 11/11/23

Lights are handcrafted.  
Dimensions may vary by 1/4"

**Mini not Available in Gas**  
UL Certified  
Candelabra- Max 60 Watt Bulb  
Edison- Max 660 Watt Bulb

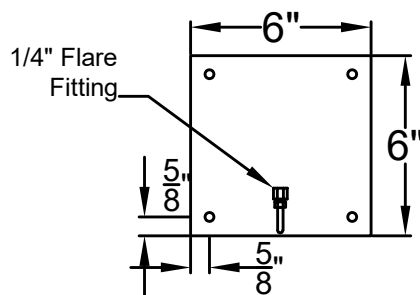
# CHESAPEAKE SMALL STEEL WALL MOUNT

Available in Solid  
or Glass Top



Front View

Side View



Backplate



St. James  
LIGHTING

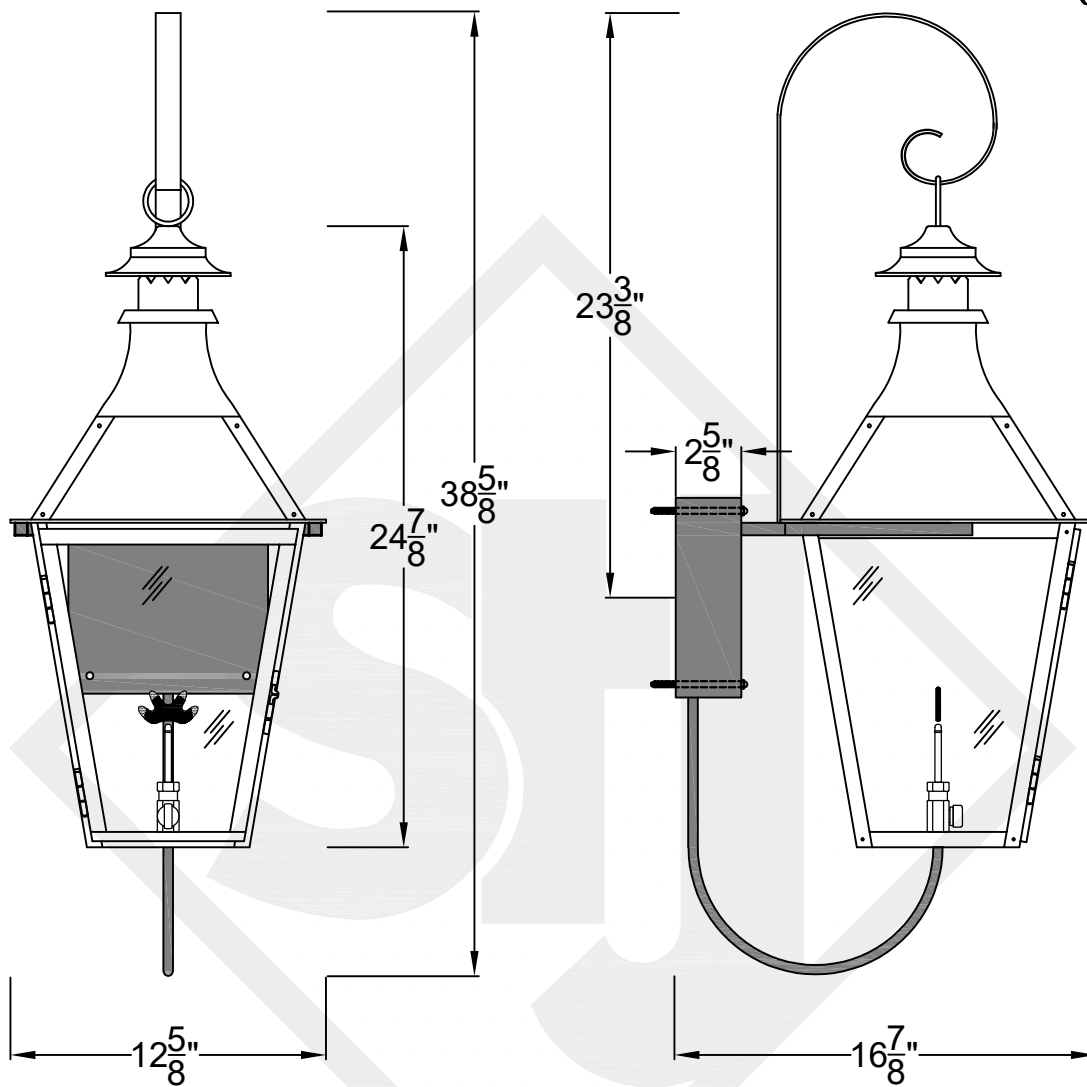
SCALE: N.T.S.	DRAFT: Y. McCullough
FILE: CHES	APP'D: J. Ragan
JOB: X	DATE: 11/18/23

Lights are handcrafted.  
Dimensions may vary by 1/4"

B.T.U. Rating  
Natural Gas: 2730 B.T.U.  
Propane: 2080 B.T.U.

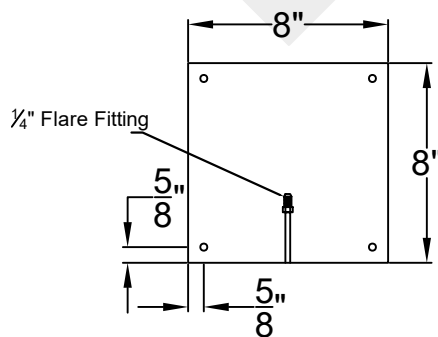
# CHESAPEAKE MEDIUM STEEL WALL MOUNT

Available in Solid  
or Glass Top



Front View

Side View



Backplate



St. James  
LIGHTING

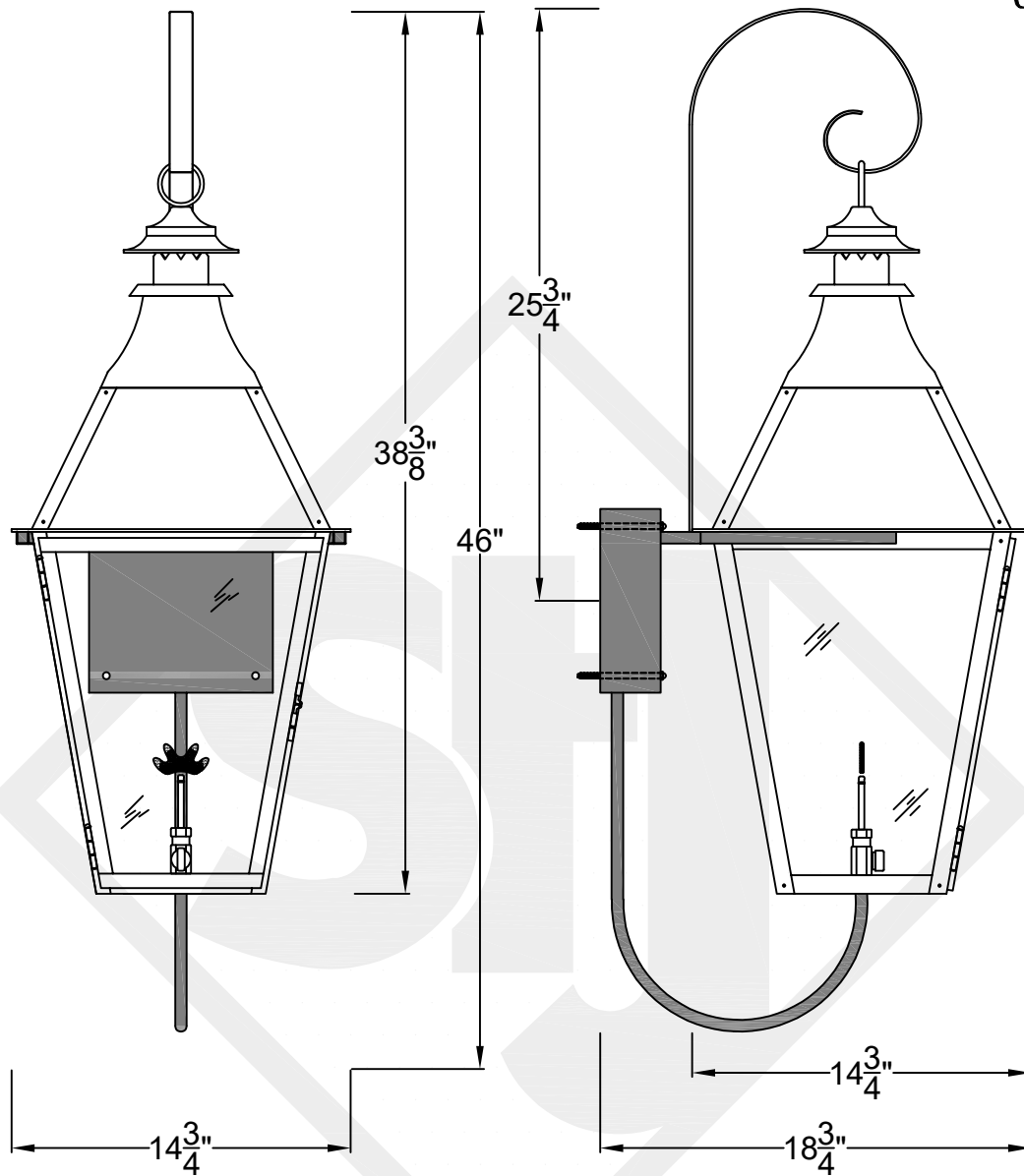
SCALE: N.T.S.	DRAFT: Y. McCullough
FILE: CHEM	APP'D: J. Ragan
JOB: X	DATE: 11/18/23

Lights are handcrafted.  
Dimensions may vary by 1/4"

B.T.U. Rating  
Natural Gas: 2730 B.T.U.  
Propane: 2080 B.T.U.

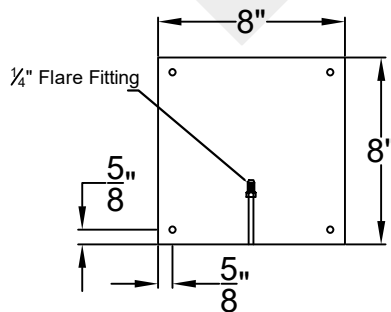
# CHESAPEAKE LARGE STEEL WALL MOUNT

Available in Solid  
or Glass Top



Front View

Side View



Backplate



St. James  
LIGHTING

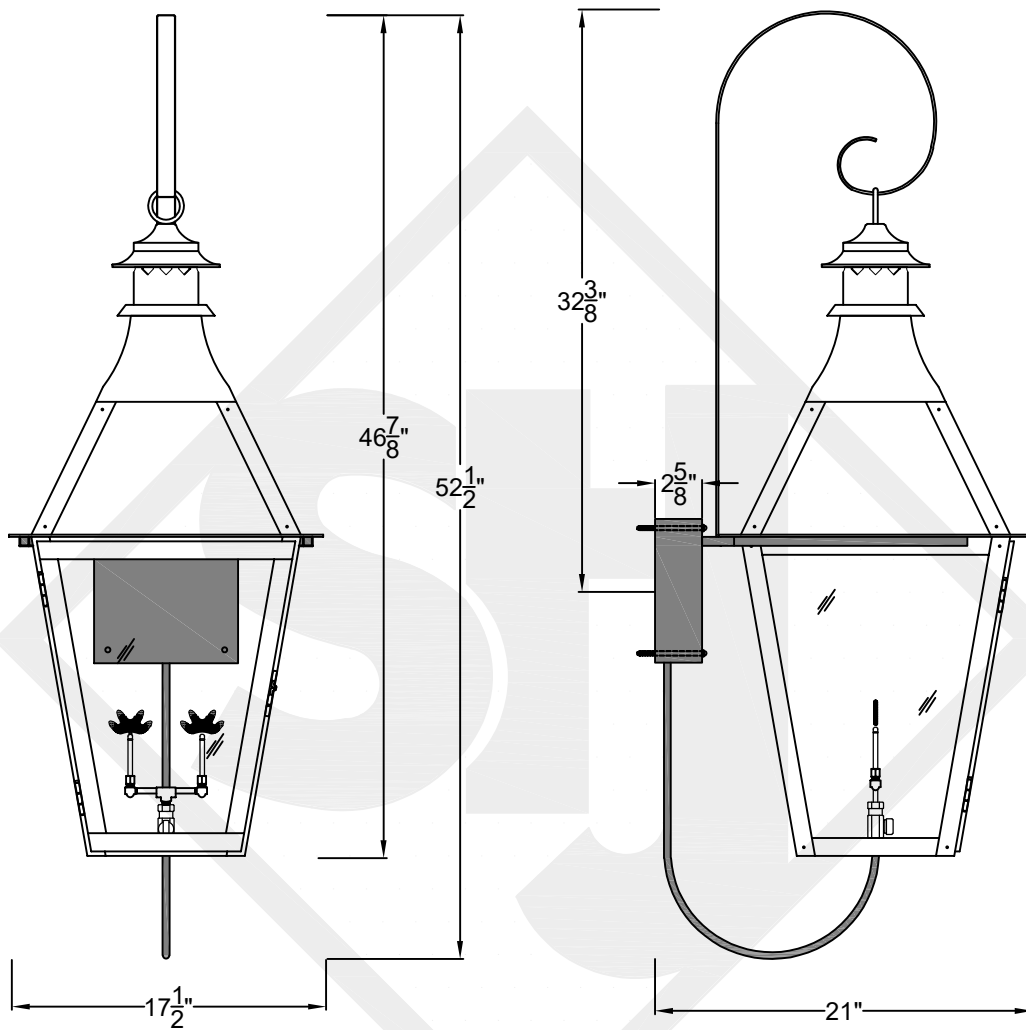
SCALE: N.T.S.	DRAFT: Y. McCullough
FILE: CHEL	APP'D: J. Ragan
JOB: X	DATE: 11/18/23

Lights are handcrafted.  
Dimensions may vary by 1/4"

B.T.U. Rating  
Natural Gas: 2730 B.T.U.  
Propane: 2080 B.T.U.

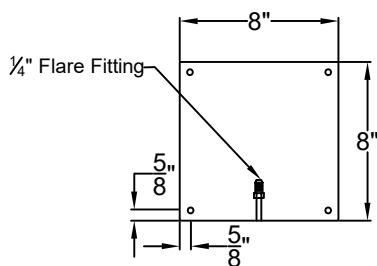
# CHESAPEAKE GRANDE STEEL WALL MOUNT

Available w/ Solid  
or Glass Top



Front View

Side View



Backplate



St. James  
LIGHTING

SCALE: N.T.S.	DRAFT: Y. McCullough
FILE: CHEG	APP'D: J. Ragan
JOB: X	DATE: 11/18/23

Lights are handcrafted.  
Dimensions may vary by 1/4"

B.T.U. Rating  
Natural Gas: 5460 B.T.U.  
Propane: 4160 B.T.U.