

TYPICAL INSTALLATION INSTRUCTIONS

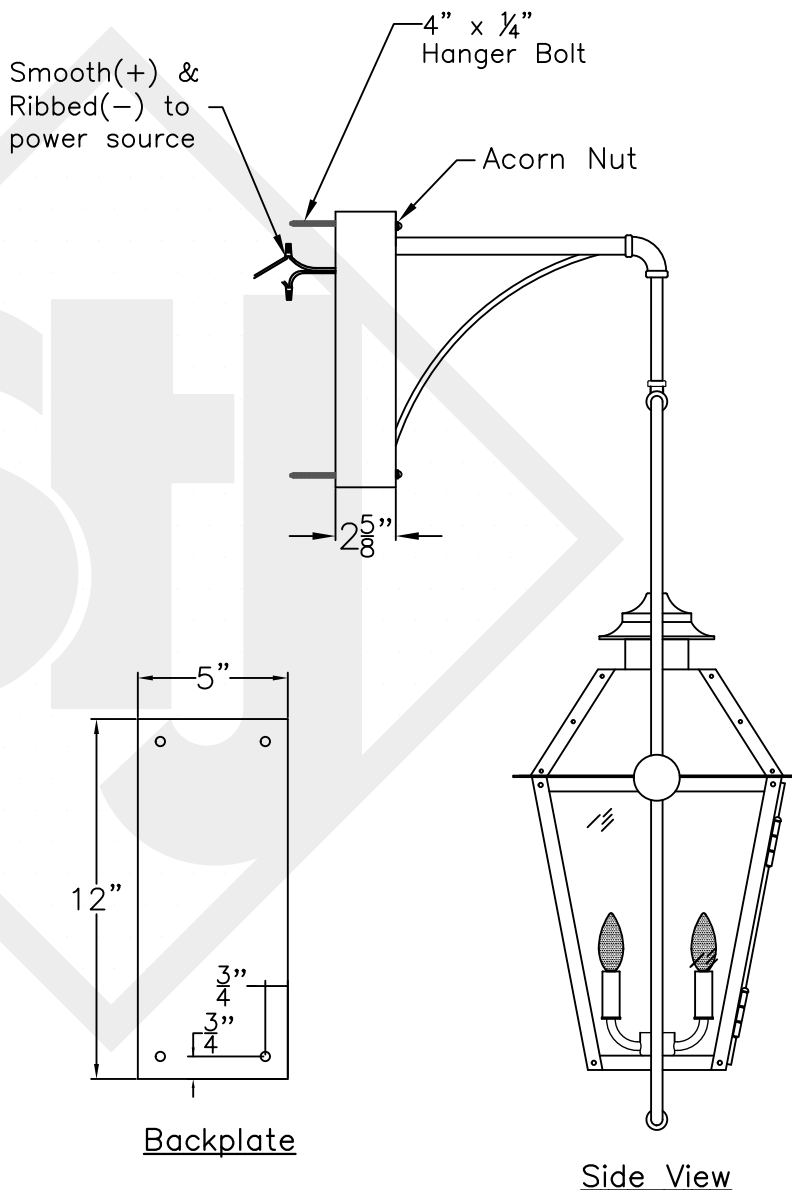
WALL MOUNT YOKE – ELECTRIC

Applies to all Wall Mount Half/Full Yoke mounted lanterns
Sizes : Mini, Small, Medium, large & Grande

Light Supplied w/
 4–Acorn Nuts
 4–4" x ¼" Hanger Bolt


Apply Caulking to both sides and top of Wall Box. DO NOT apply on bottom

Screw hanger bolts into the wall leaving enough to penetrate through the holes in the Mounting Bracket. Connet wires to power source, Smooth(+) to Black, Ribbed(-) to White. Position light over the hanger bolts and attach the acorn nuts, tightening to securely mount light.



CAUTION: Risk of fire or electric shock

This product is to be installed by a qualified Electrician ONLY. Installation must conform with all local codes or, in the absence of local codes, to the standard for Incandescent Lighting Fixtures ANSI/UL 1598

Typical Install Wall Mount Full Yoke	
 St. James LIGHTING	
SCALE: N.T.S.	DRAFT: B. Vial
FILE: INSTALL	APP'D: J. Ragan
JOB: X	DATE: 02/20/18