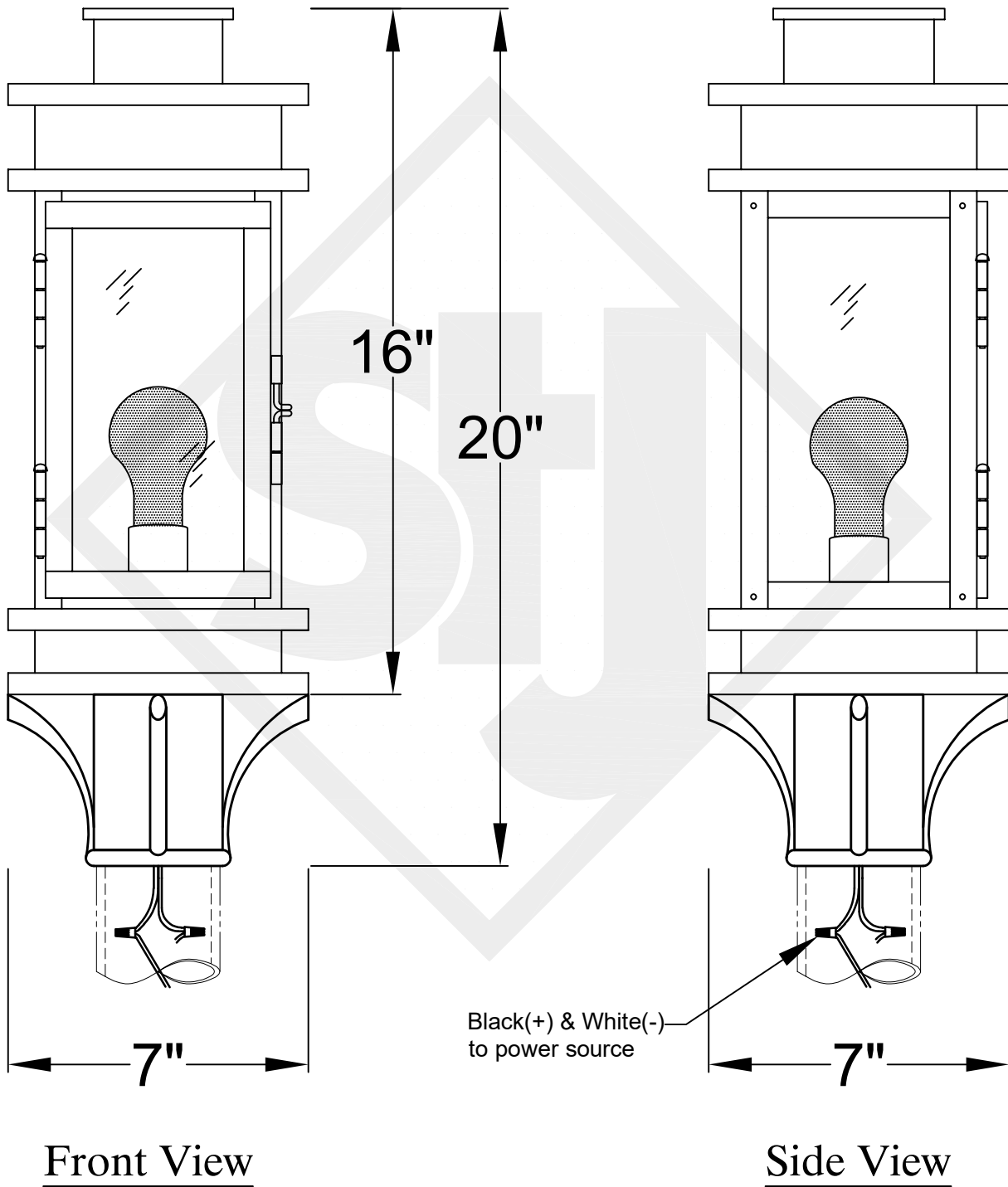


SOMERSET MINI COPPER POST MOUNT



* No Gas



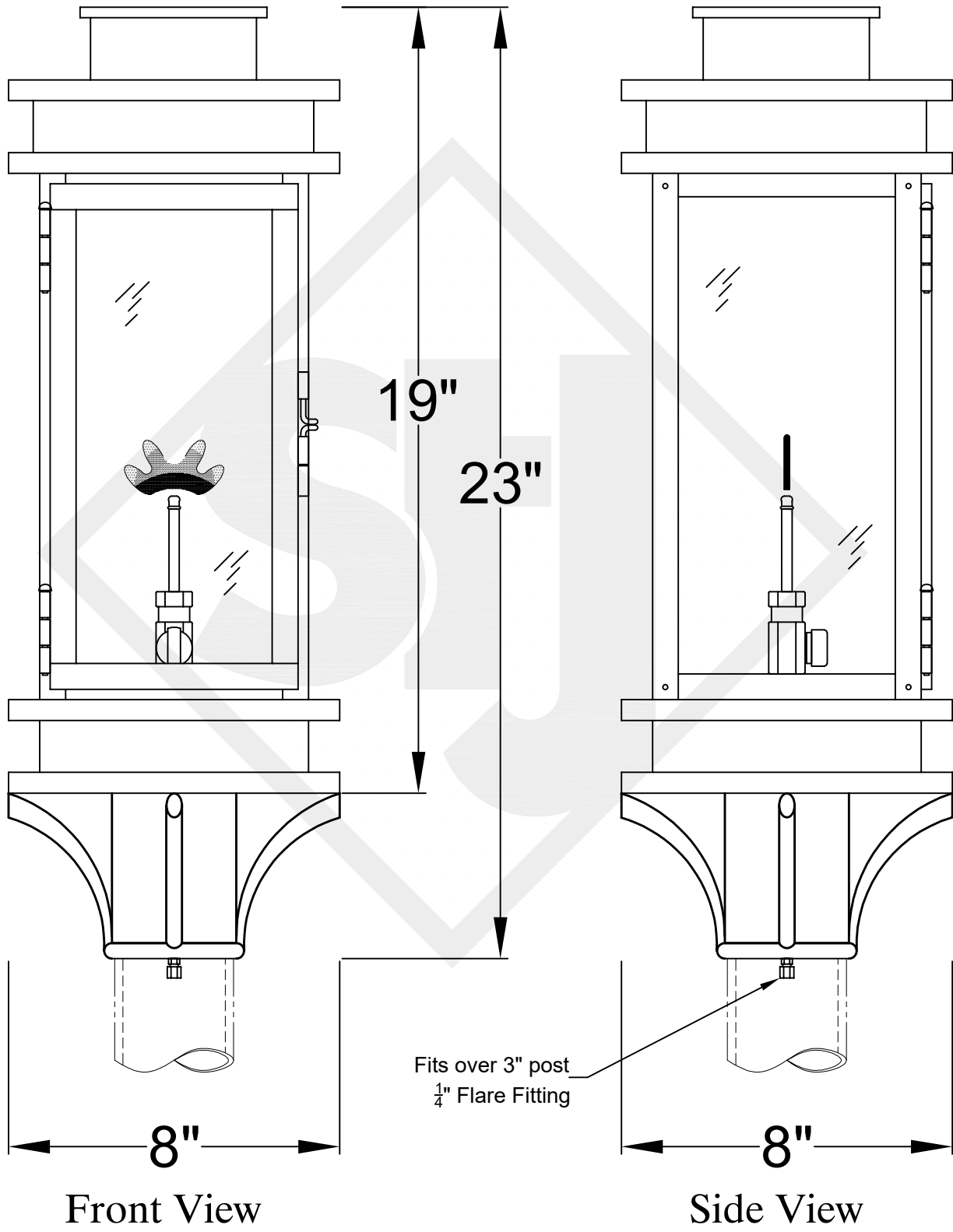
St. James
LIGHTING

SCALE: N.T.S.	DRAFT: Y. McCullough
FILE: SOMMINI	APP'D: J. Ragan
JOB: X	DATE: 11/29/23

Lights are handcrafted.
Dimensions may vary by 1/4"

UL Certified
Candelabra- Max 60 Watt Bulb
Edison- Max 660 Watt Bulb

SOMERSET SMALL COPPER POST MOUNT



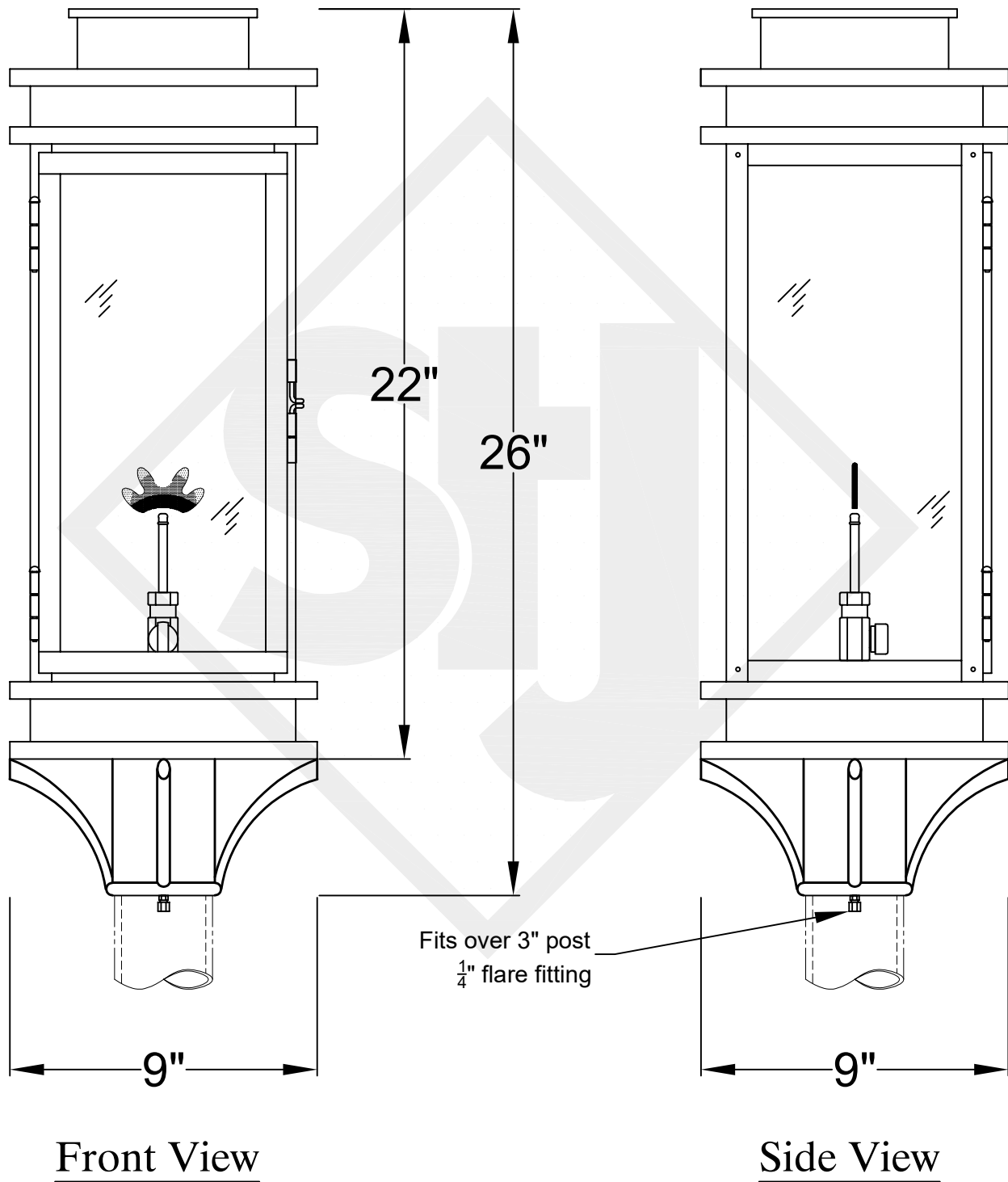
St. James
LIGHTING

SCALE: N.T.S. DRAFT: T. Herring
FILE: SOMS APP'D: J. Ragan
JOB: X DATE: 8-3-2023

Lights are handcrafted.
Dimensions may vary by 1/4"

UL Certified
Candelabra- Max 60 Watt Bulb
Edison- Max 660 Watt Bulb

SOMERSET MEDIUM COPPER POST MOUNT



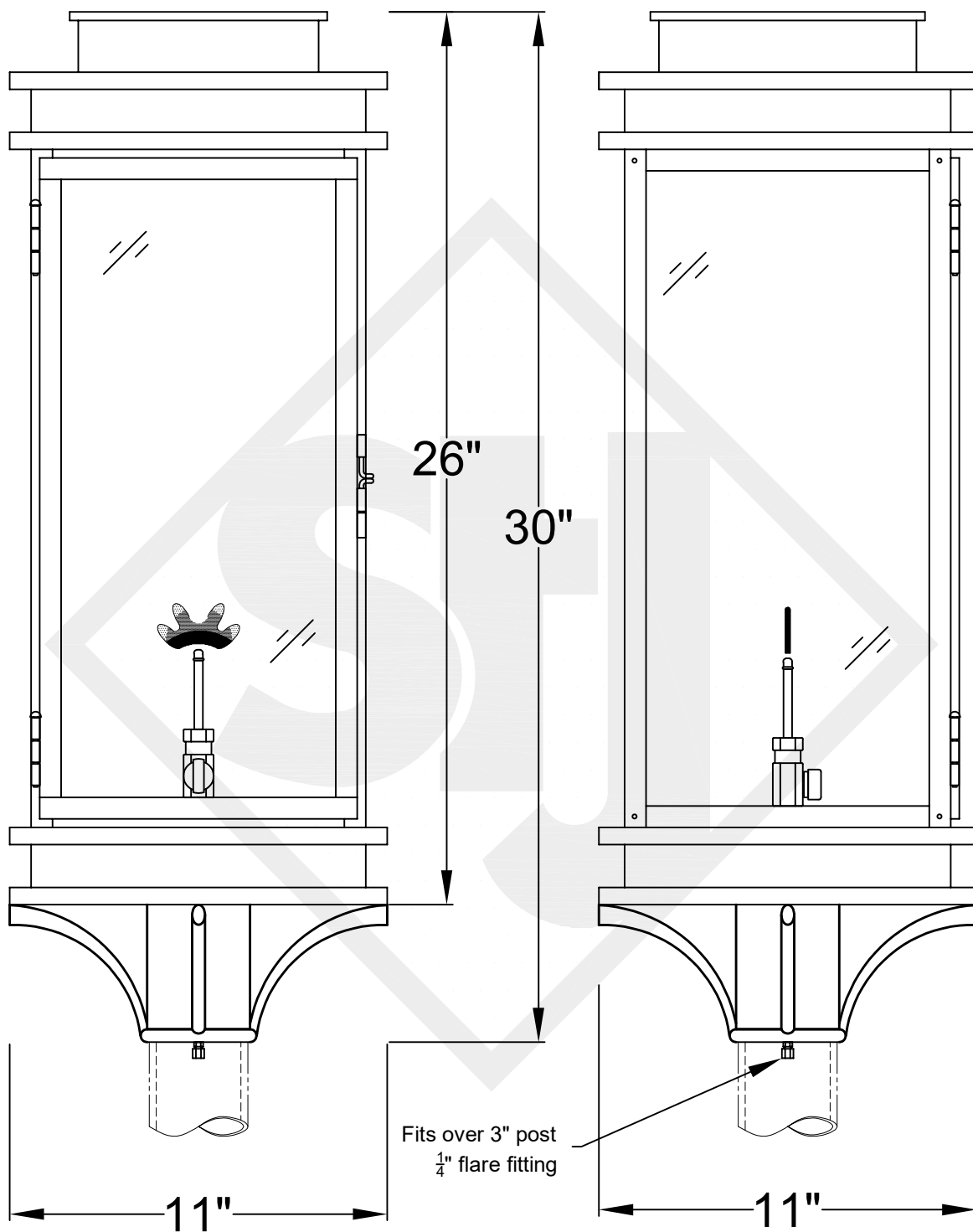
St. James
LIGHTING

SCALE: N.T.S. DRAFT: Y. McCullough
FILE: SOMM APP'D: J. Ragan
JOB: X DATE: 11/29/23

Lights are handcrafted.
Dimensions may vary by 1/4"

B.T.U. Rating
Natural Gas: 2730 B.T.U.
Propane: 2080 B.T.U.

SOMERSET LARGE COPPER POST MOUNT



Front View

Side View



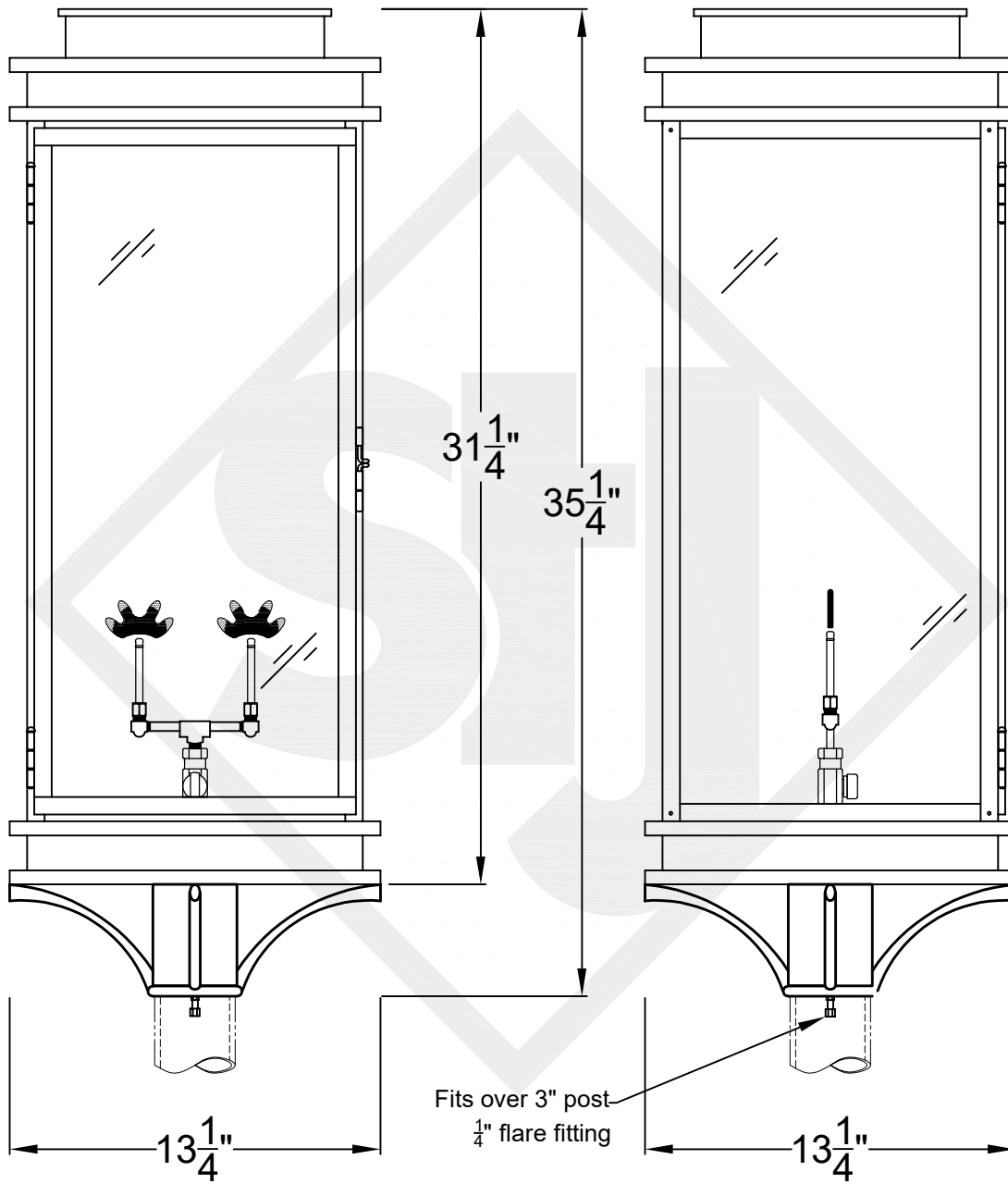
St. James
LIGHTING

SCALE: N.T.S.	DRAFT: T. Herring
FILE: SOML	APP'D: J. Ragan
JOB: X	DATE: 8-30-2023

Lights are handcrafted.
Dimensions may vary by 1/4"

B.T.U. Rating
Natural Gas: 2730 B.T.U.
Propane: 2080 B.T.U.

SOMERSET GRANDE COPPER POST MOUNT



Front View

Side View



St. James
LIGHTING

SCALE: N.T.S.	DRAFT: Y. McCullough
FILE: SOMG	APP'D: J. Ragan
JOB: X	DATE: 11/29/23

Lights are handcrafted.
Dimensions may vary by $\frac{1}{4}"$

B.T.U. Rating
Natural Gas: 5460 B.T.U.
Propane: 4160 B.T.U.