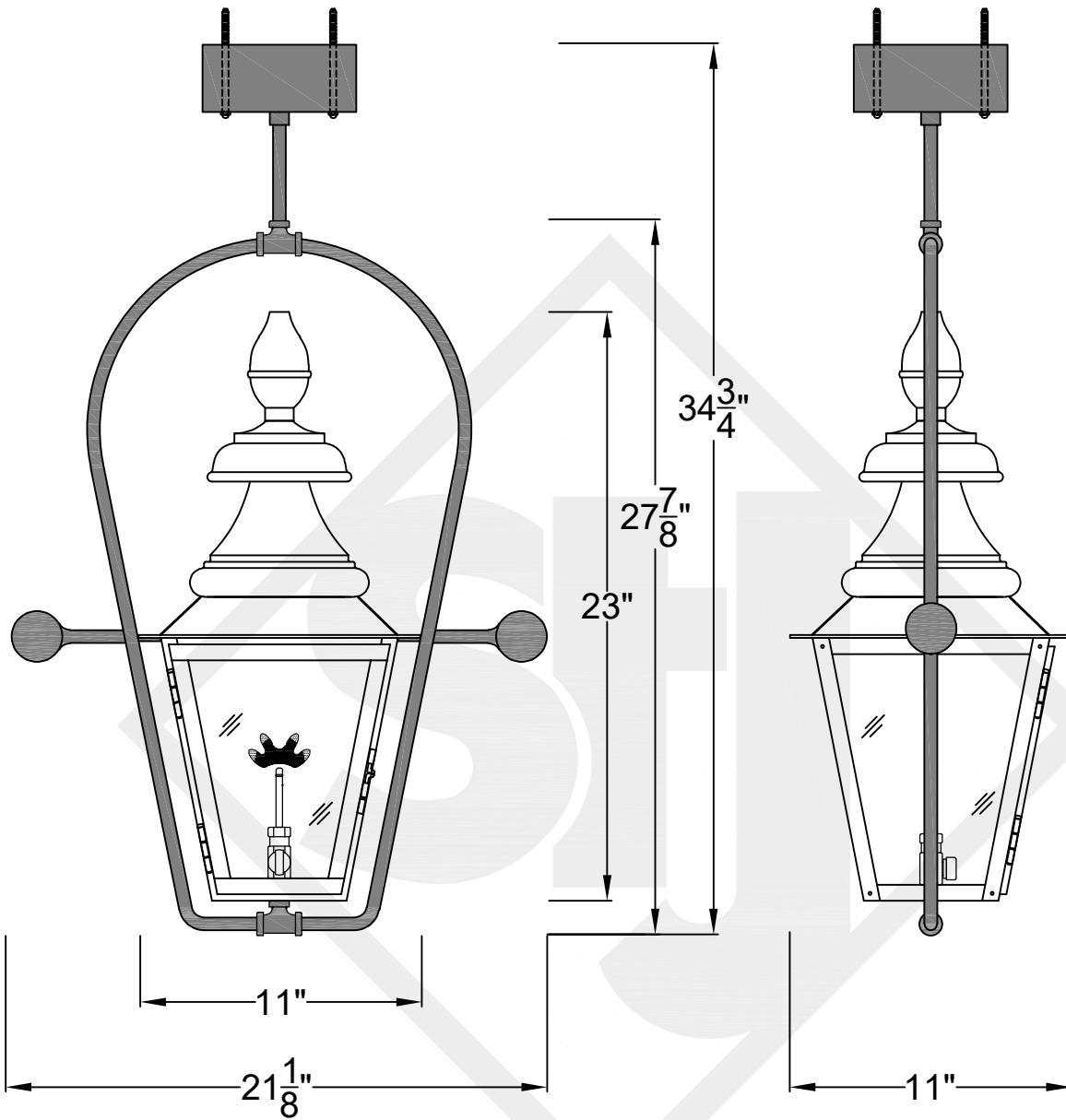


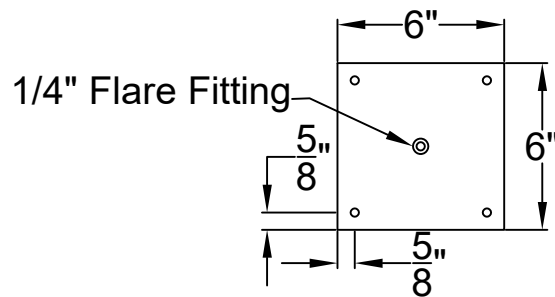
BIRMINGHAM SMALL CEILING MOUNT FULL YOKE

Shortest Height 32"



Front View

Side View



Ceiling Mount



St. James
LIGHTING

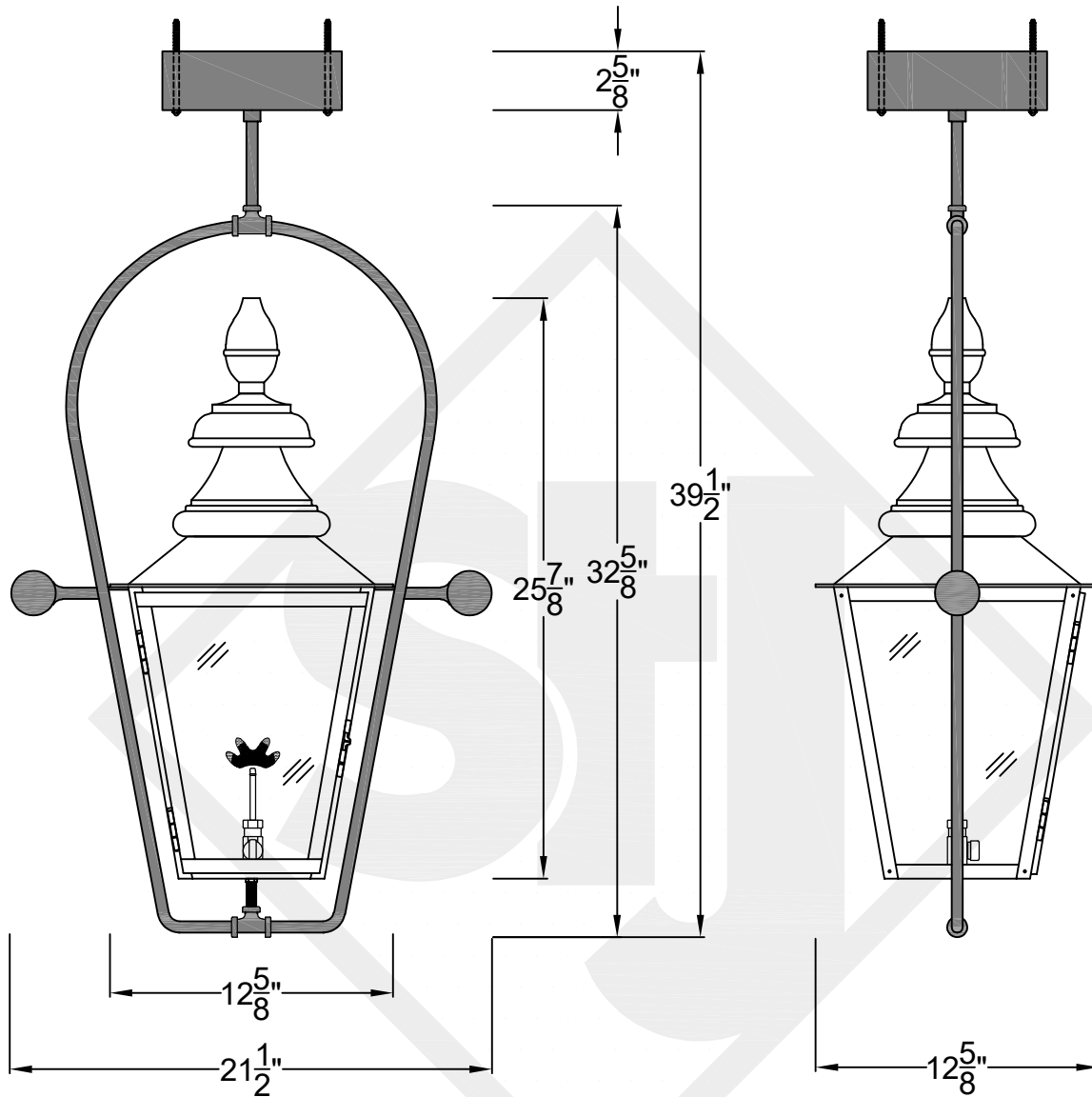
SCALE: N.T.S.	DRAFT: Y. McCullough
FILE: BIRS	APP'D: J. Ragan
JOB: X	DATE: 11/15/23

Lights are handcrafted.
Dimensions may vary by 1/4"

B.T.U. Rating
Natural Gas: 2730 B.T.U.
Propane: 2080 B.T.U.

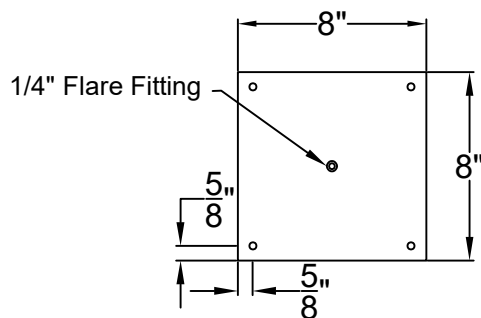
BIRMINGHAM MEDIUM CEILING MOUNT FULL YOKE

Shortest Height $36\frac{3}{4}$ "



Front View

Side View



Ceiling Mount



St. James
LIGHTING

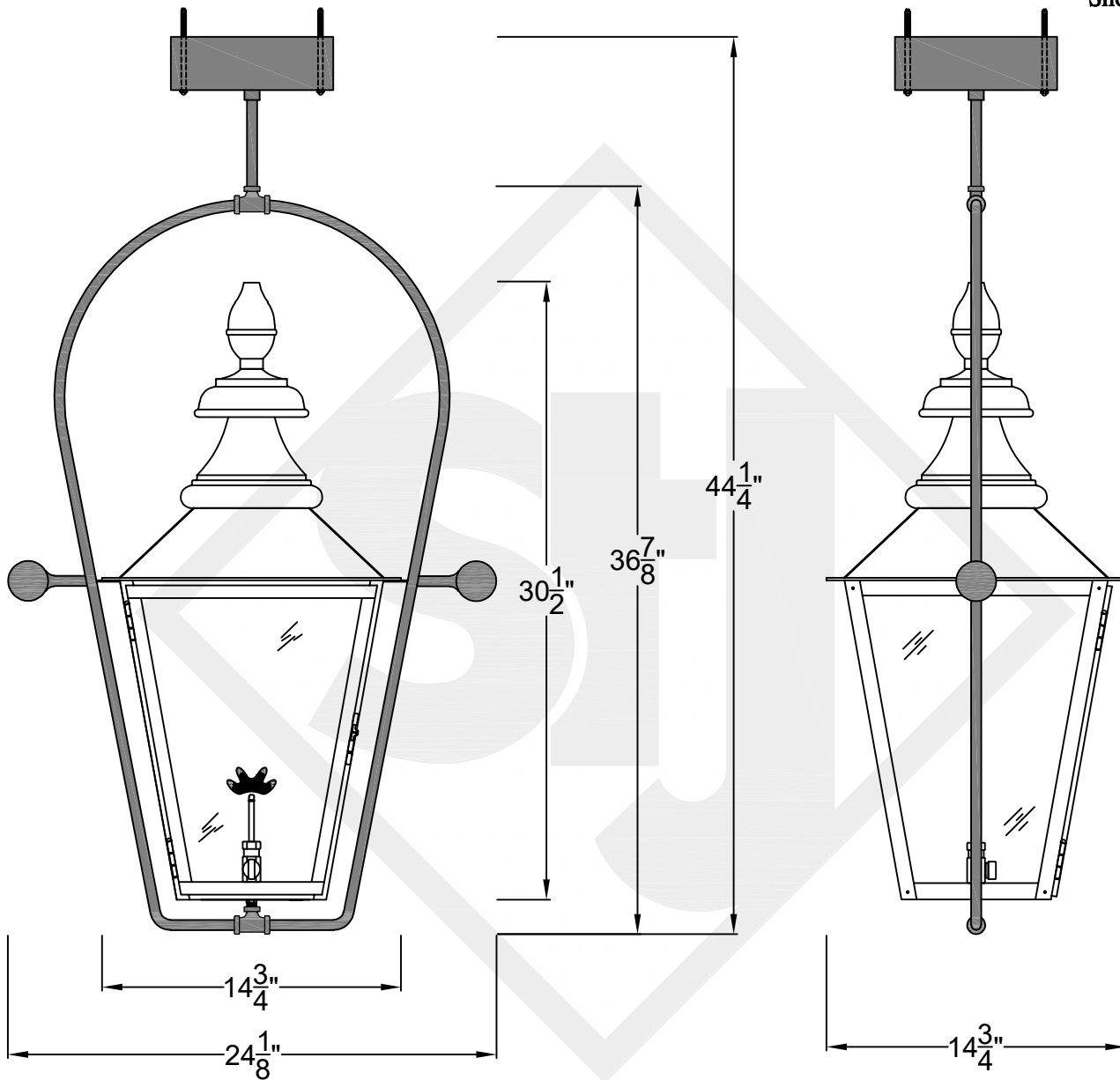
SCALE: N.T.S.	DRAFT: Y. McCullough
FILE: BIRM	APP'D: J. Ragan
JOB: X	DATE: 11/15/23

Lights are handcrafted.
Dimensions may vary by 1/4"

B.T.U. Rating
Natural Gas: 2730 B.T.U.
Propane: 2080 B.T.U.

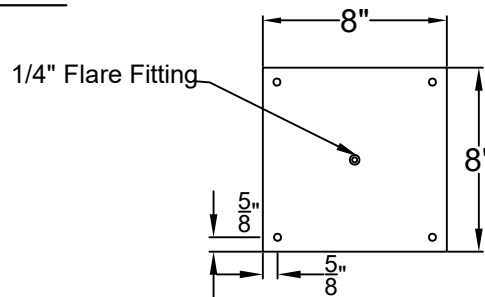
BIRMINGHAM LARGE CEILING MOUNT FULL YOKE

Shortest Height 41"



Front View

Side View



Ceiling Mount



St. James
LIGHTING

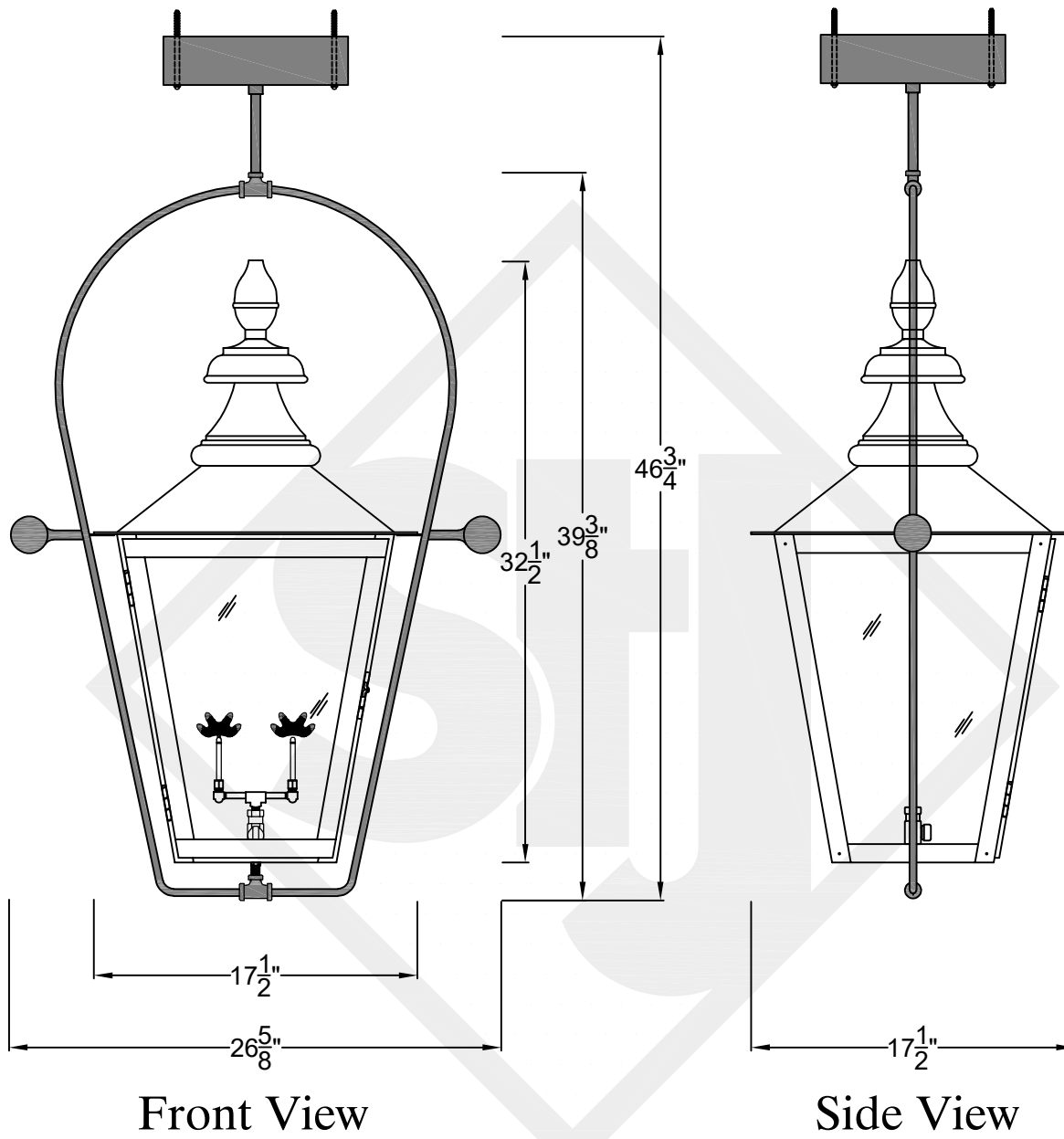
SCALE: N.T.S.	DRAFT: Y. McCullough
FILE: BIRL	APP'D: J. Ragan
JOB: X	DATE: 11/15/23

Lights are handcrafted.
Dimensions may vary by 1/4"

B.T.U. Rating
Natural Gas: 2730 B.T.U.
Propane: 2080 B.T.U.

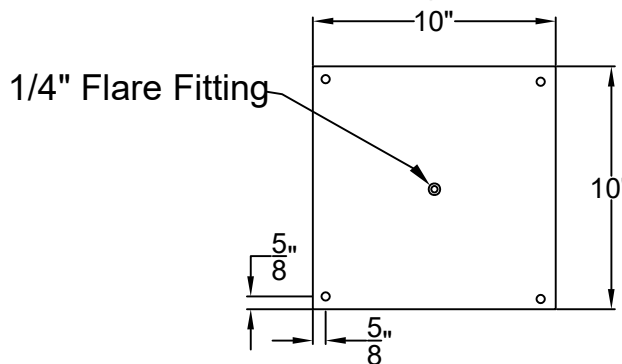
BIRMINGHAM GRANDE CEILING MOUNT FULL YOKE

Shortest Height 43 $\frac{1}{2}$ "



Front View

Side View



Ceiling Mount



St. James
LIGHTING

SCALE: N.T.S.	DRAFT: Y. McCullough
FILE: BIRG	APP'D: J. Ragan
JOB: X	DATE: 11/15/23

Lights are handcrafted.
Dimensions may vary by 1/4"

B.T.U. Rating
Natural Gas: 5460 B.T.U.
Propane: 4160 B.T.U.