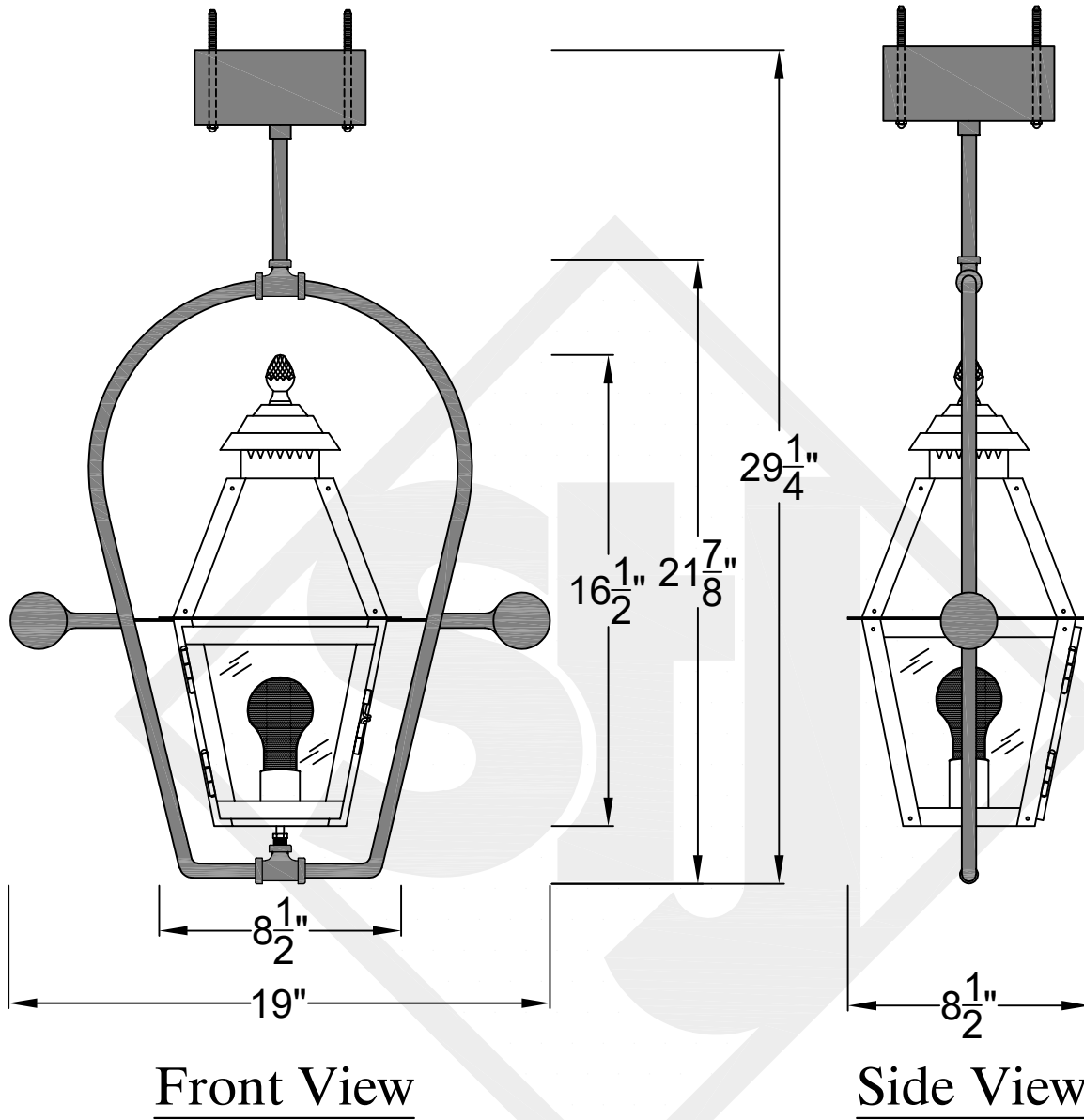


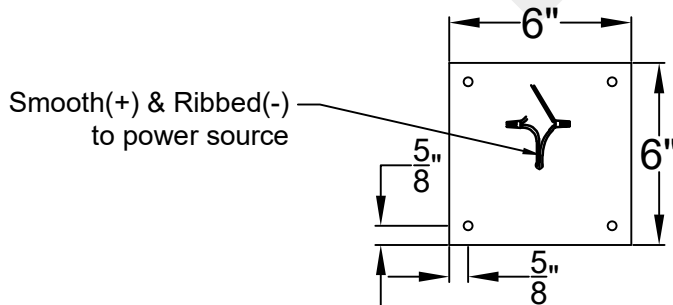
NATCHEZ MINI CEILING MOUNT FULL YOKE

Available w/ Solid
or Glass Top
Shortest Height 26"



Front View

Side View



Ceiling Mount



St. James
LIGHTING

SCALE: N.T.S.	DRAFT: Y. McCullough
FILE: NATMINI	APP'D: J. Ragan
JOB: X	DATE: 11/20/23

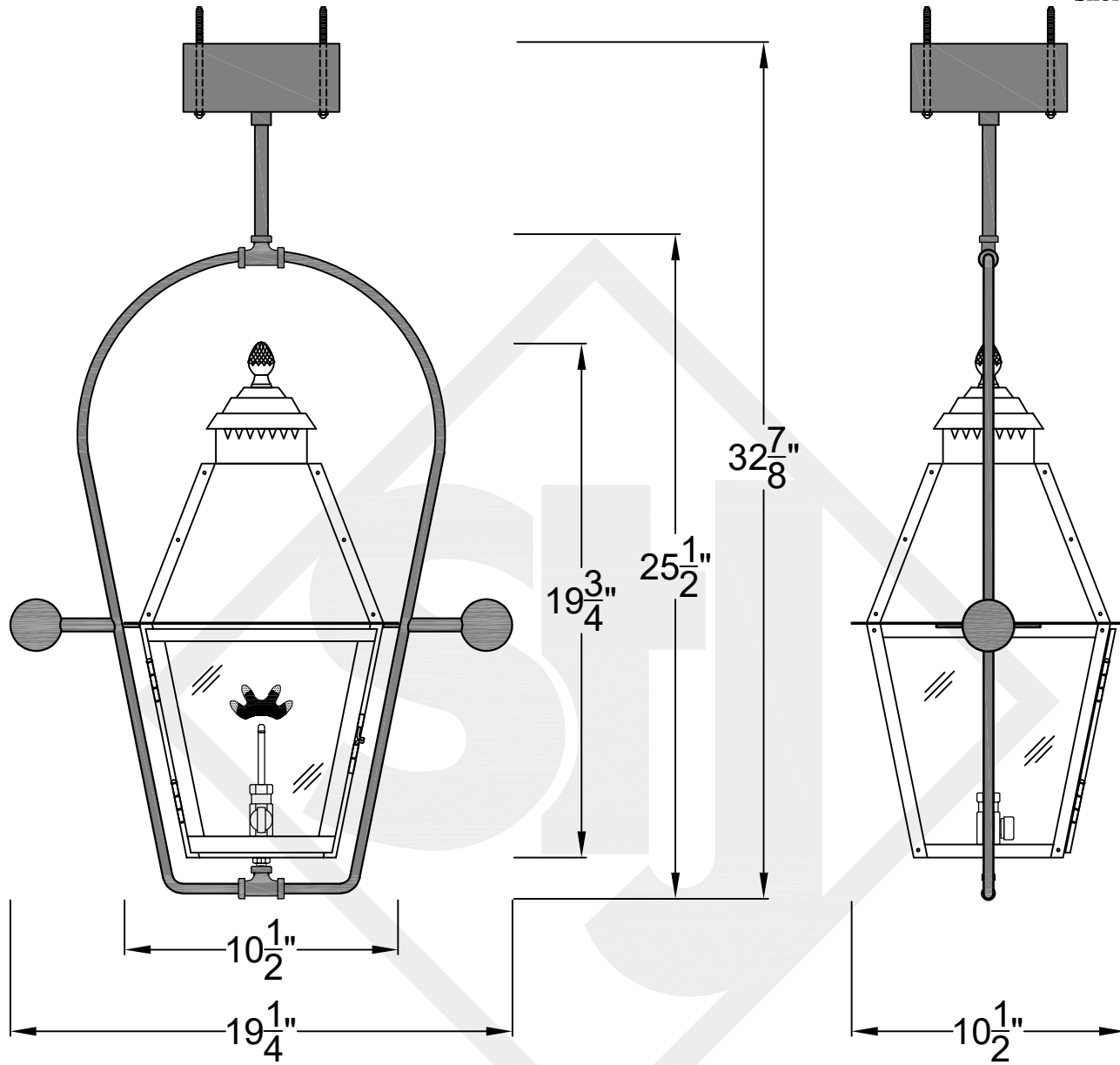
Lights are handcrafted.
Dimensions may vary by 1/4"

UL Certified
Candelabra- Max 60 Watt Bulb
Edison- Max 660 Watt Bulb

Mini not available in gas

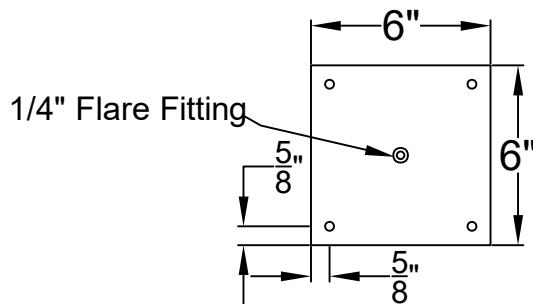
NATCHEZ SMALL CEILING MOUNT FULL YOKE

Available w/ Solid
or Glass Top
Shortest Height 30 $\frac{1}{8}$ "



Front View

Side View



Ceiling Mount



St. James
LIGHTING

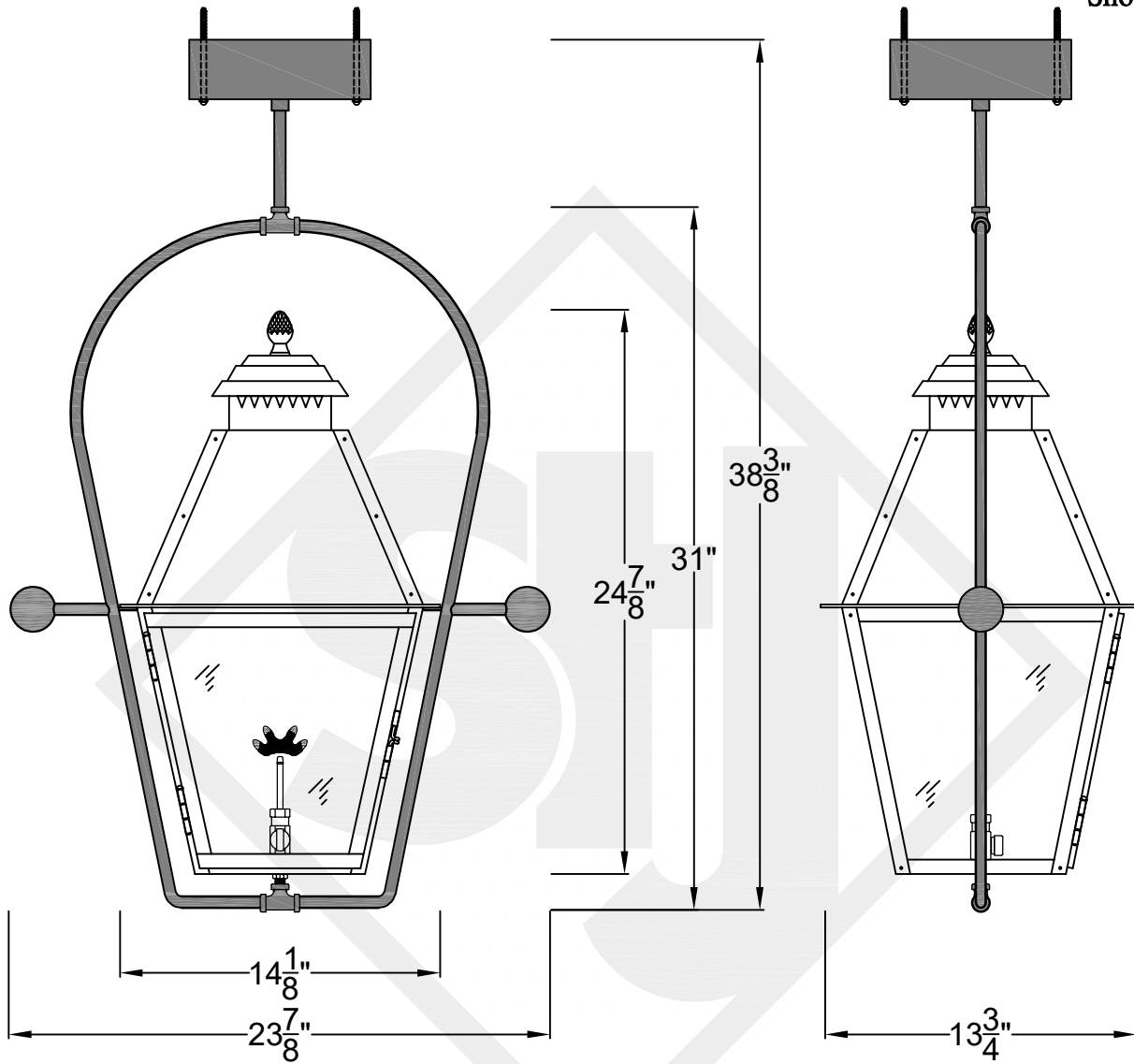
SCALE: N.T.S.	DRAFT: Y. McCullough
FILE: NATS	APP'D: J. Ragan
JOB: X	DATE: 11/20/23

Lights are handcrafted.
Dimensions may vary by 1/4"

B.T.U. Rating
Natural Gas: 2730 B.T.U.
Propane: 2080 B.T.U.

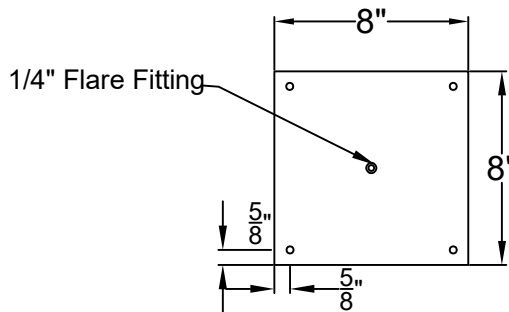
NATCHEZ MEDIUM CEILING MOUNT FULL YOKE

Available w/ Solid
or Glass Top
Shortest Height $35\frac{1}{8}"$



Front View

Side View



Ceiling Mount



**St. James
LIGHTING**

SCALE: N.T.S.	DRAFT: Y. McCullough
FILE: NATM	APP'D: J. Ragan
JOB: X	DATE: 11/20/23

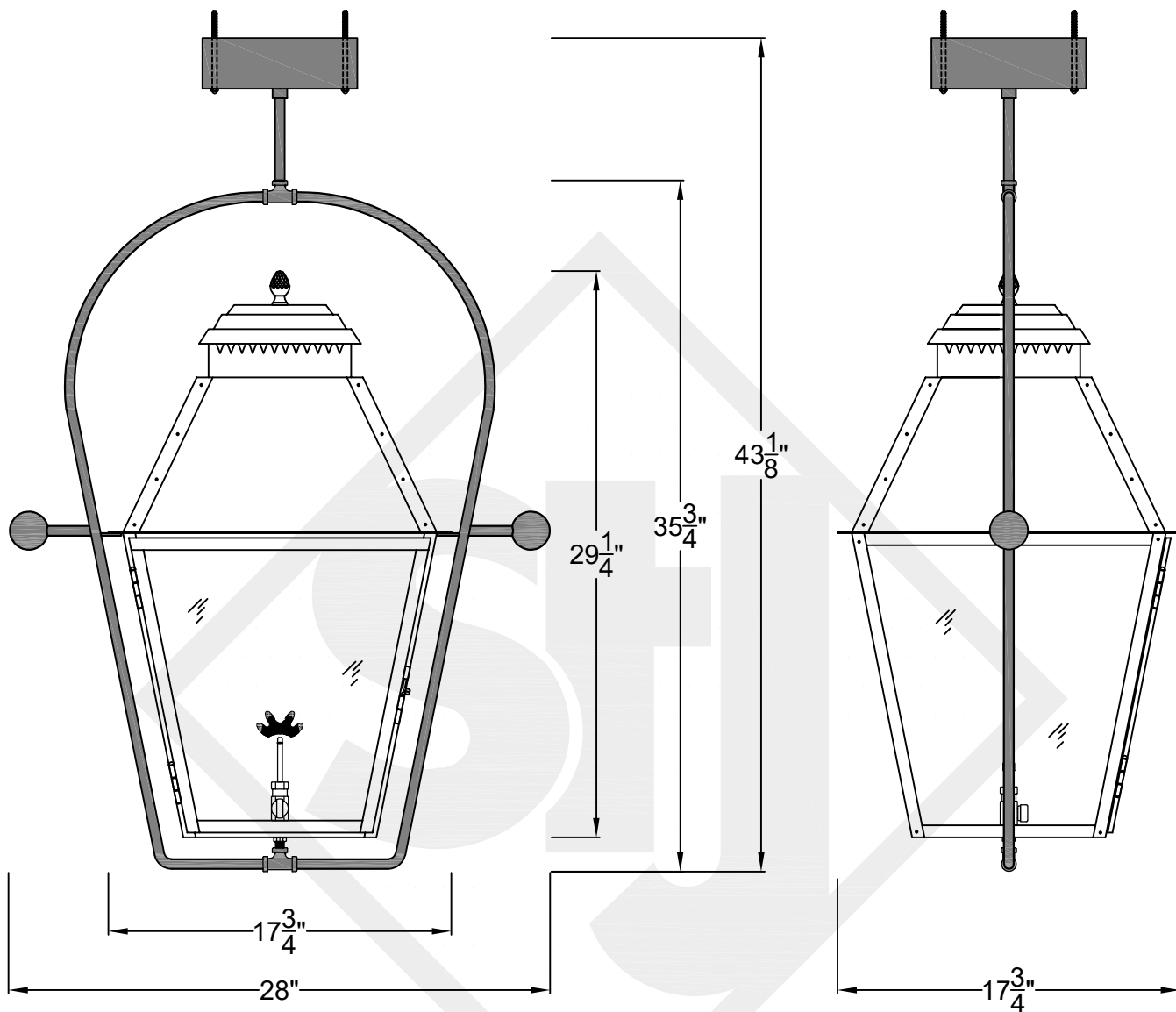
Lights are handcrafted.
Dimensions may vary by 1/4"

B.T.U. Rating
Natural Gas: 2730 B.T.U.
Propane: 2080 B.T.U.

NATCHEZ LARGE CEILING MOUNT FULL YOKE

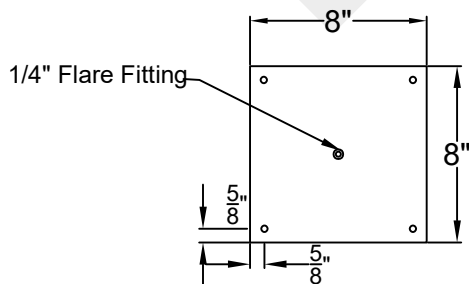
Available w/ Solid
or Glass Top

Shortest Height $39\frac{7}{8}"$



Front View

Side View



Ceiling Mount



St. James
LIGHTING

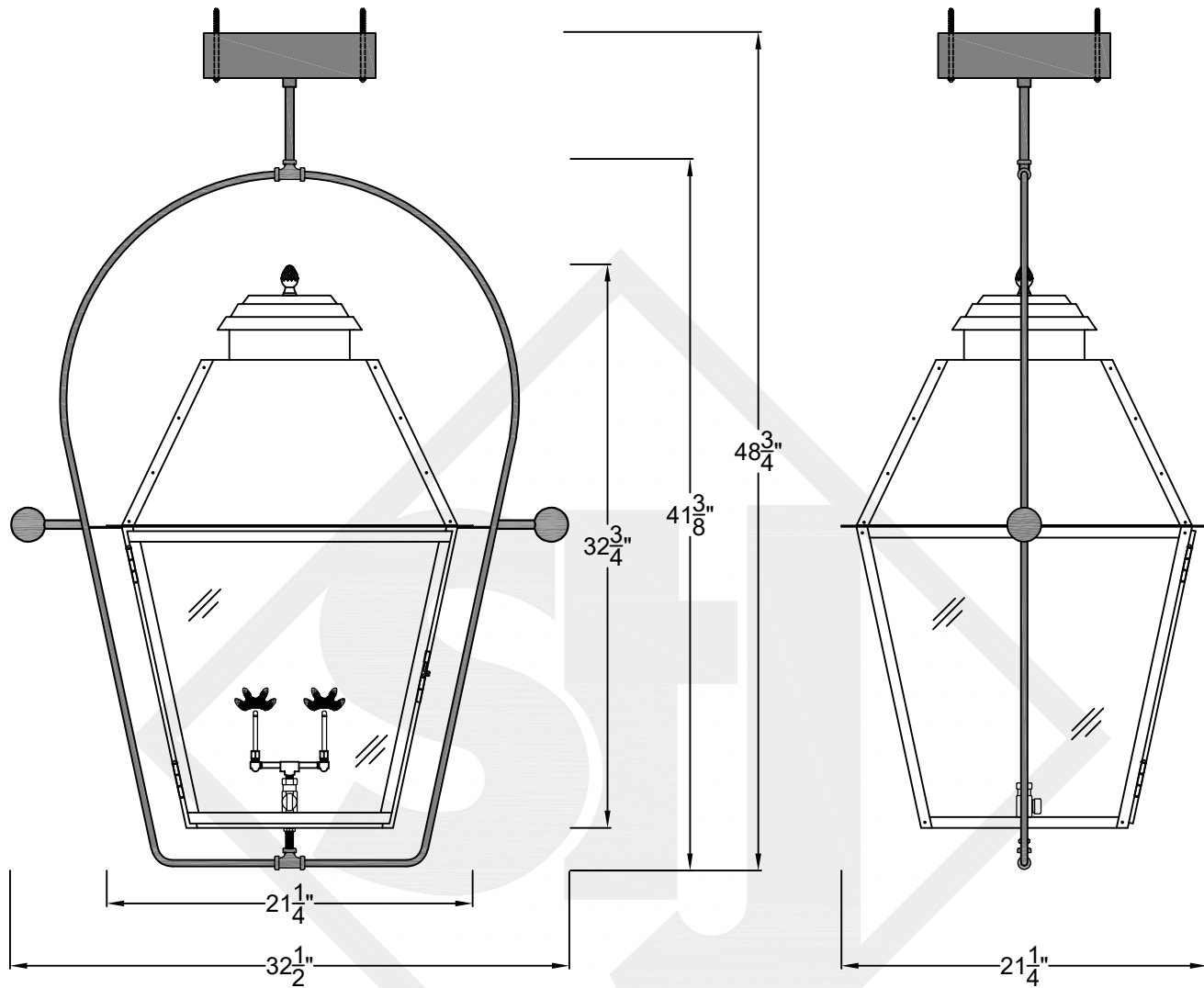
SCALE: N.T.S.	DRAFT: Y. McCullough
FILE: NATL	APP'D: J. Ragan
JOB: X	DATE: 11/20/23

Lights are handcrafted.
Dimensions may vary by 1/4"

B.T.U. Rating
Natural Gas: 5460 B.T.U.
Propane: 4160 B.T.U.

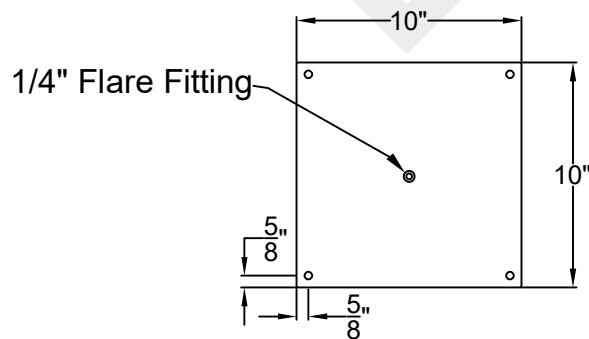
NATCHEZ GRANDE CEILING MOUNT FULL YOKE

Available w/ Solid
or Glass Top
Shortest Height 45 1/2"



Front View

Side View



Ceiling Mount



St. James
LIGHTING

SCALE: N.T.S.	DRAFT: Y. McCullough
FILE: NATG	APP'D: J. Ragan
JOB: X	DATE: 11/20/23

Lights are handcrafted.
Dimensions may vary by 1/4"

B.T.U. Rating
Natural Gas: 5460 B.T.U.
Propane: 4160 B.T.U.