

# TYPICAL INSTALLATION INSTRUCTIONS

## CEILING HALF YOKE – GAS

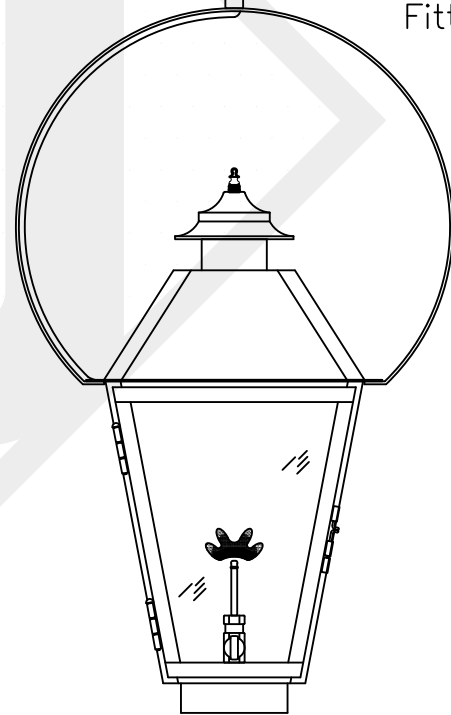
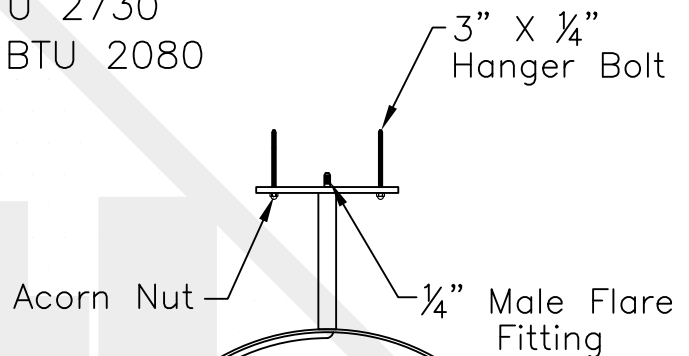
Applies to all Ceiling Half Yoke mounted lanterns  
Sizes : Small, Medium, large & Grande

Light Supplied w/  
4-#8-32 Acorn Nut  
4-3" x 1/4" Hanger Bolt

Natural Gas Requires 7" W.C. BTU 2730  
Propane Gas Requires 11" W.C. BTU 2080

Clearance:  
-12" from vent  
to ceiling  
-6" from sides


Screw hanger bolts(anchors may be needed for some brick/stone applications) into the ceiling leaving enough to penetrate through the holes in the Mounting Bracket. Connect the gas line from the lantern to the main. Make sure to test the fittings for gas leaks before securing the lantern to the ceiling. Position light over the hanger bolts and attach the acorn nuts, tightening to securely mount light.



Front View

CAUTION: Risk of fire or electric shock

This product is to be installed by a qualified Plumber ONLY.  
Installation must conform with all local codes or, in the absence of local codes, to UL, Gas Code ANSI Z21.42 – 2004, Gas Illuminating Appliance

Typical Install Ceiling Half Yoke	
 St. James LIGHTING	
SCALE: N.T.S.	DRAFT: B. Vial
FILE: INSTALL	APP'D: J. Ragan
JOB: X	DATE: 02/16/18