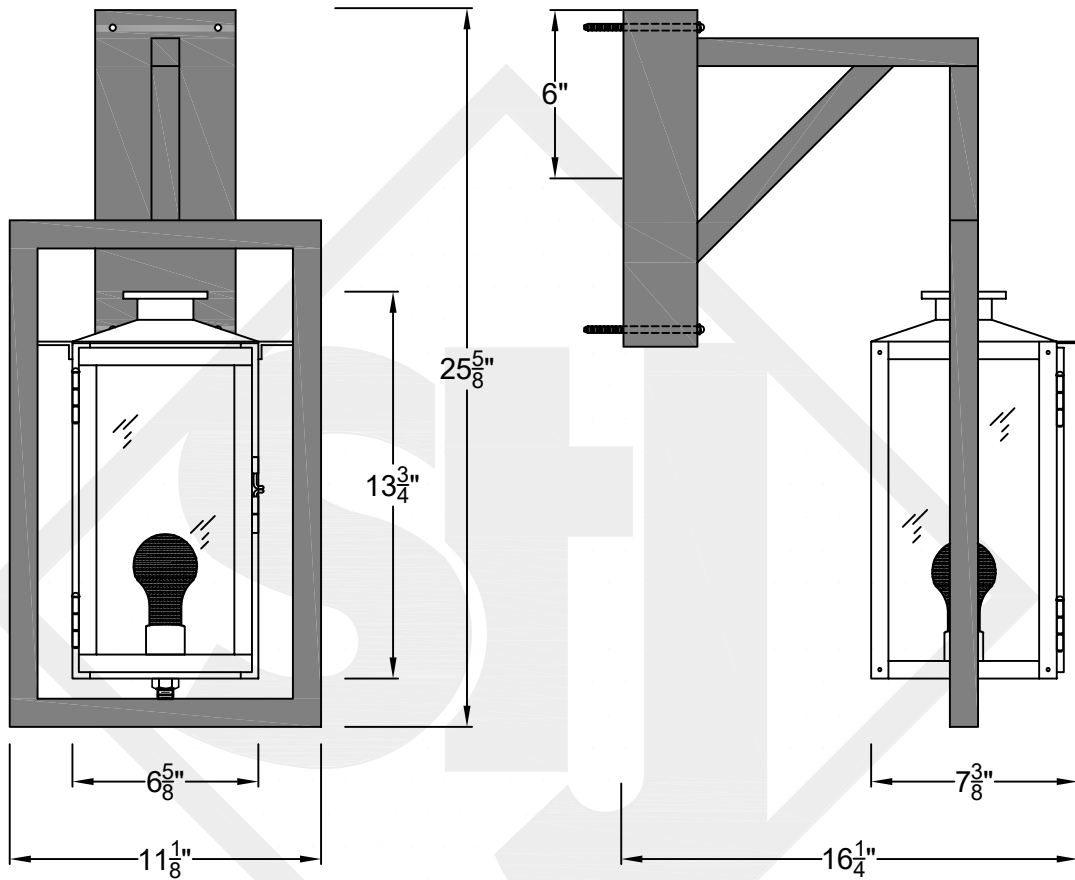


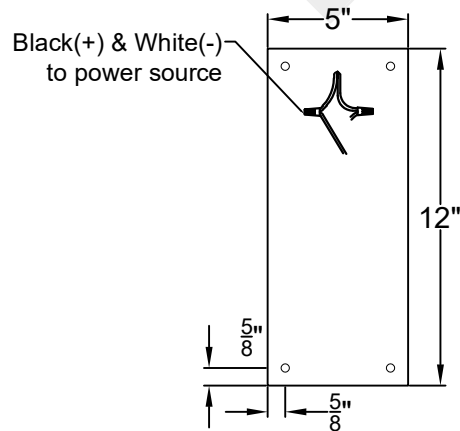
OXFORD MINI WALL MOUNT FULL YOKE

Shortest Height 21"



Front View

Side View



Backplate



**St. James
LIGHTING**

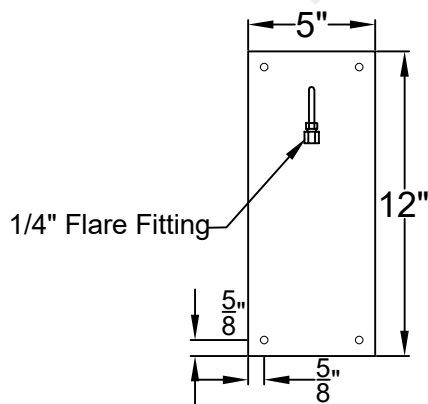
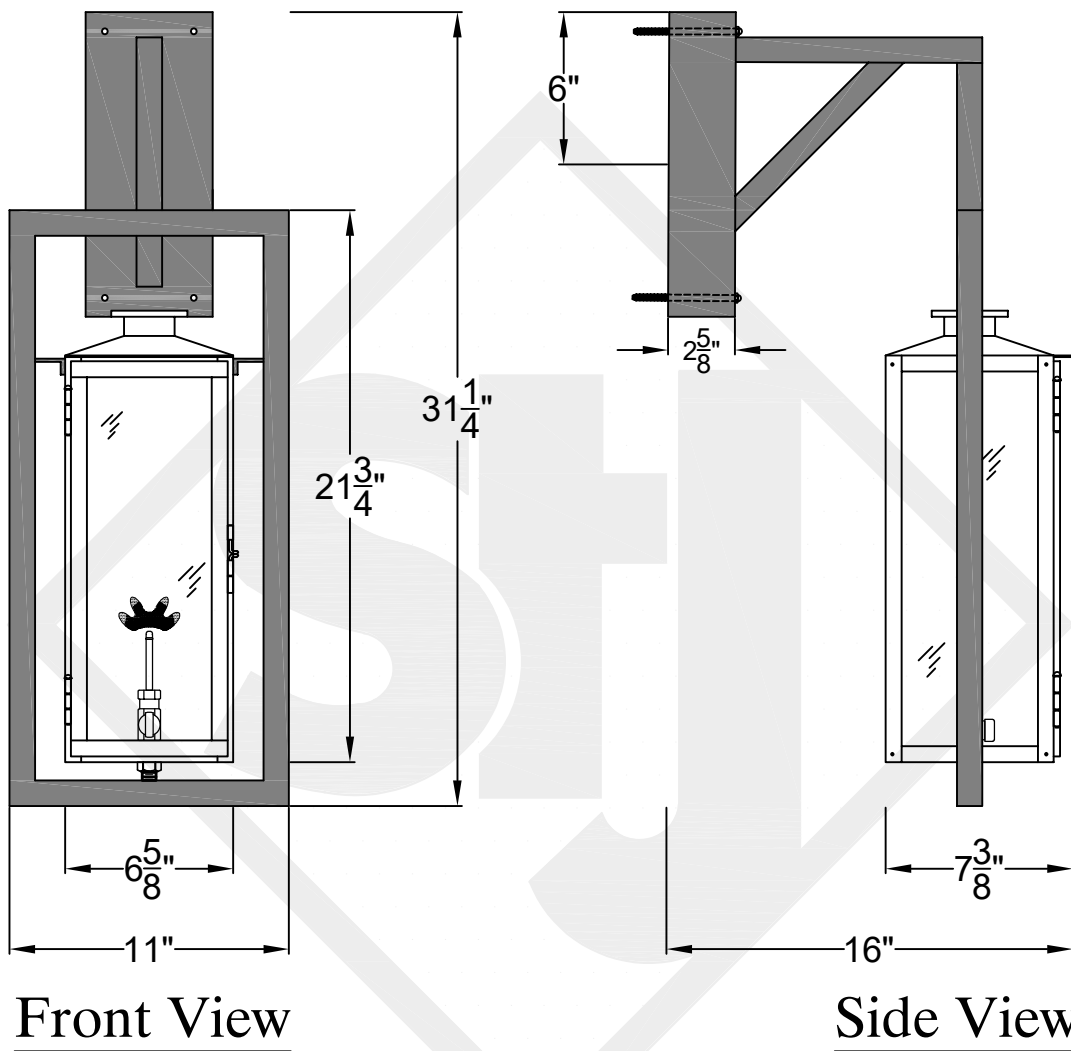
SCALE: N.T.S.	DRAFT: Y. McCullough
FILE: OXFMINI	APP'D: J. Ragan
JOB: X	DATE: 11/29/23

Lights are handcrafted.
Dimensions may vary by 1/4"

UL Certified
Candelabra- Max 60 Watt Bulb
Edison- Max 660 Watt Bulb

OXFORD SMALL WALL MOUNT FULL YOKE

Shortest Height 31 $\frac{1}{4}$ "



Backplate



St. James
LIGHTING

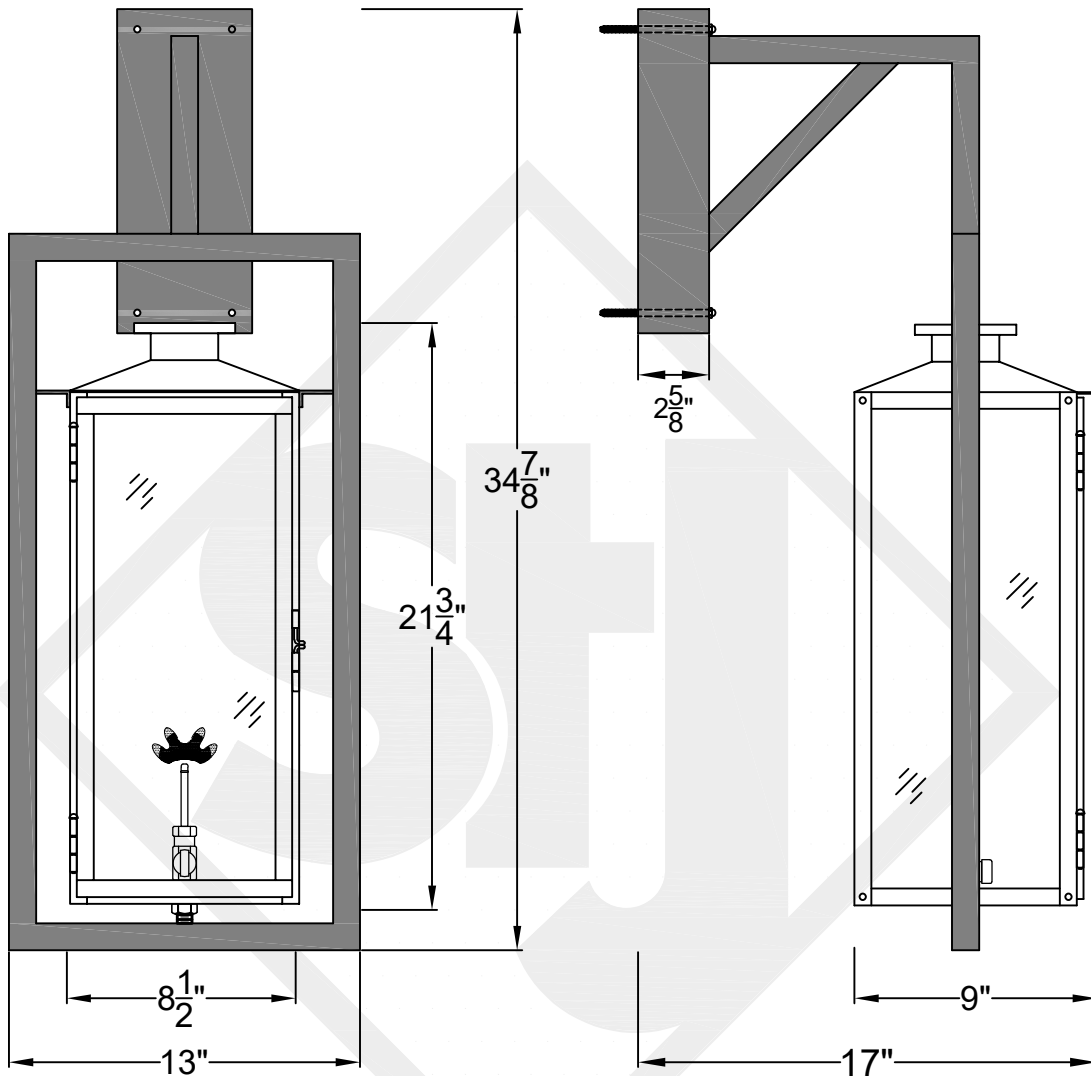
SCALE: N.T.S.	DRAFT: T. Herring
FILE: OXFS	APP'D: J. Ragan
JOB: X	DATE: 8-28-2023

Lights are handcrafted.
Dimensions may vary by 1/4"

B.T.U. Rating
Natural Gas: 2730 B.T.U.
Propane: 2080 B.T.U.

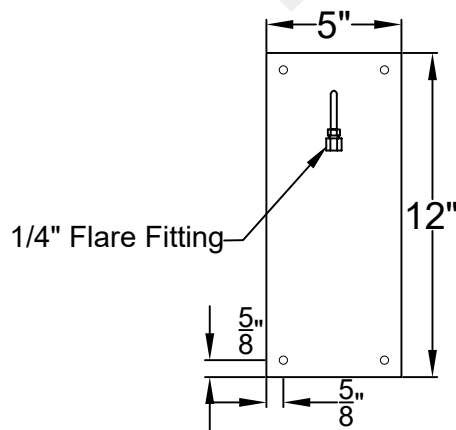
OXFORD MEDIUM WALL MOUNT FULL YOKE

Shortest Height $34\frac{7}{8}$ "



Front View

Side View



Backplate



St. James
LIGHTING

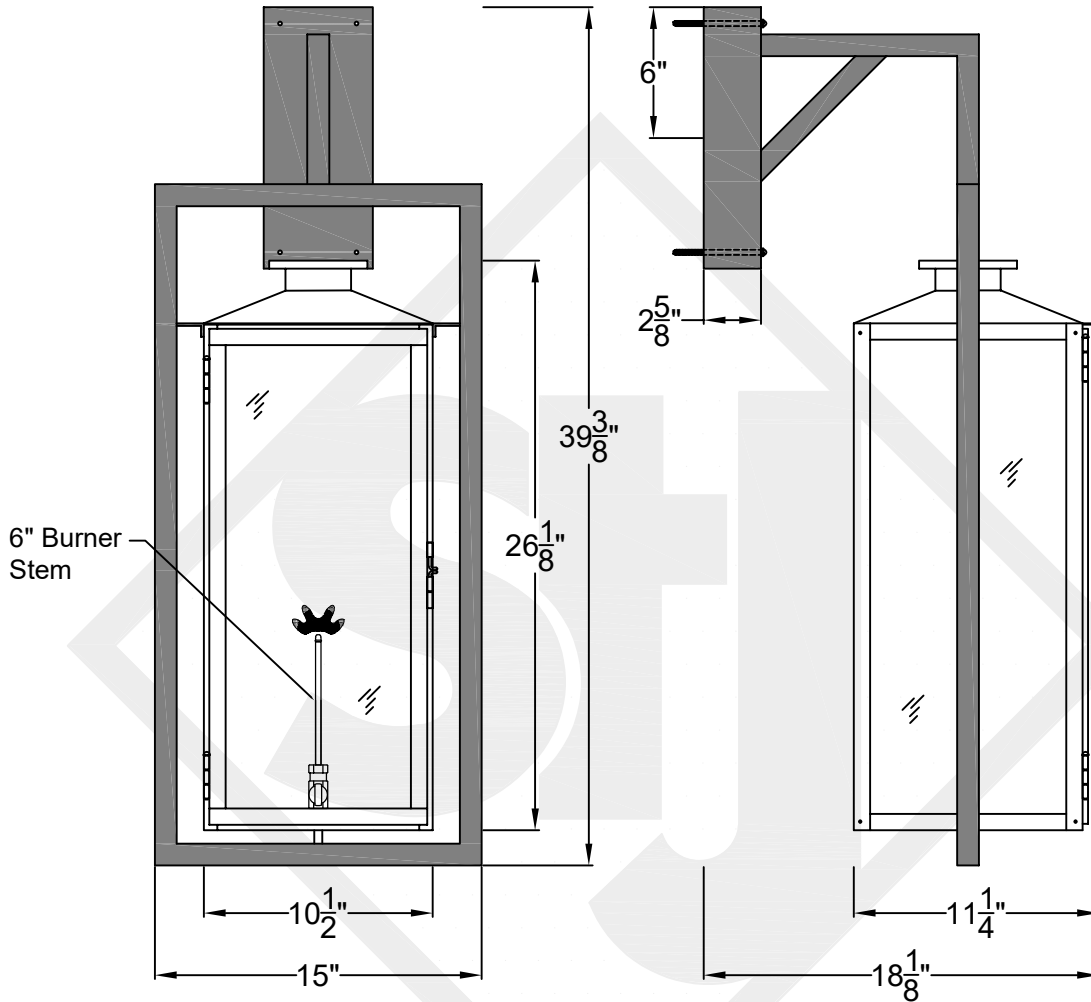
SCALE: N.T.S.	DRAFT: Y. McCullough
FILE: OXFM	APP'D: J. Ragan
JOB: X	DATE: 11/29/23

Lights are handcrafted.
Dimensions may vary by 1/4"

B.T.U. Rating
Natural Gas: 2730 B.T.U.
Propane: 2080 B.T.U.

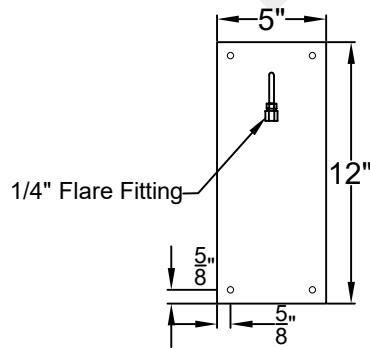
OXFORD LARGE WALL MOUNT FULL YOKE

Shortest Height $39\frac{3}{8}"$



Front View

Side View



Backplate



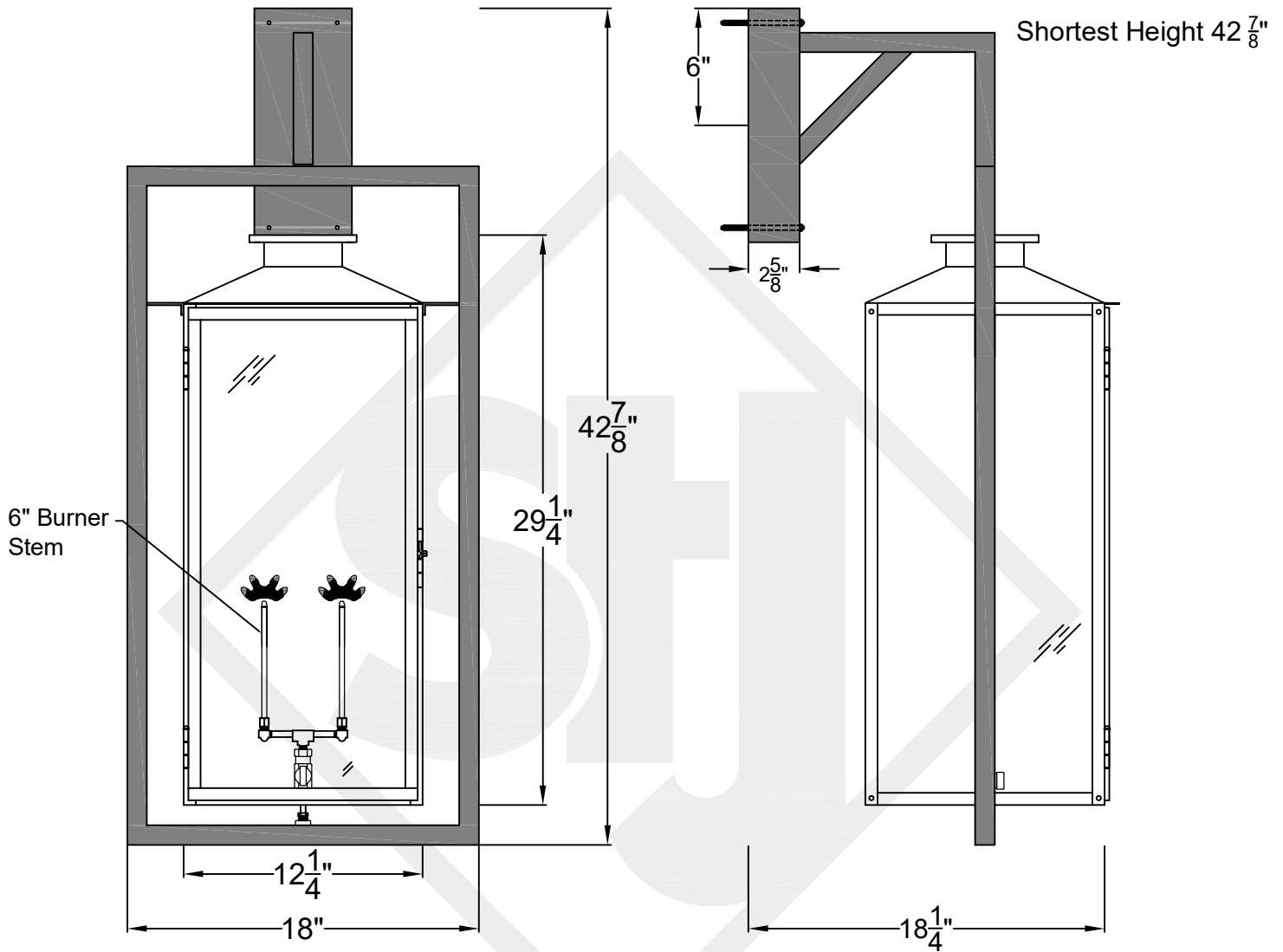
St. James
LIGHTING

SCALE: N.T.S.	DRAFT: Y. McCullough
FILE: OXFL	APP'D: J. Ragan
JOB: X	DATE: 11/29/23

Lights are handcrafted.
Dimensions may vary by $1/4"$

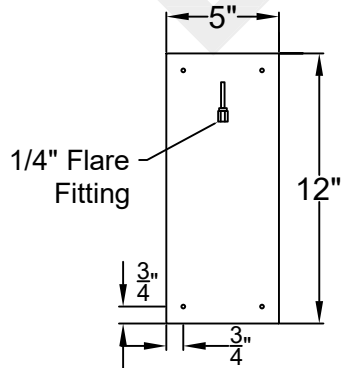
B.T.U. Rating
Natural Gas: 2730 B.T.U.
Propane: 2080 B.T.U.

OXFORD GRANDE WALL MOUNT FULL YOKE



Front View

Side View



Backplate



St. James
LIGHTING

SCALE: N.T.S.	DRAFT: Y. McCullough
FILE: OXFG	APP'D: J. Ragan
JOB: X	DATE: 11/29/23

Lights are handcrafted.
Dimensions may vary by 1/4"

B.T.U. Rating
Natural Gas: 5460 B.T.U.
Propane: 4160 B.T.U.