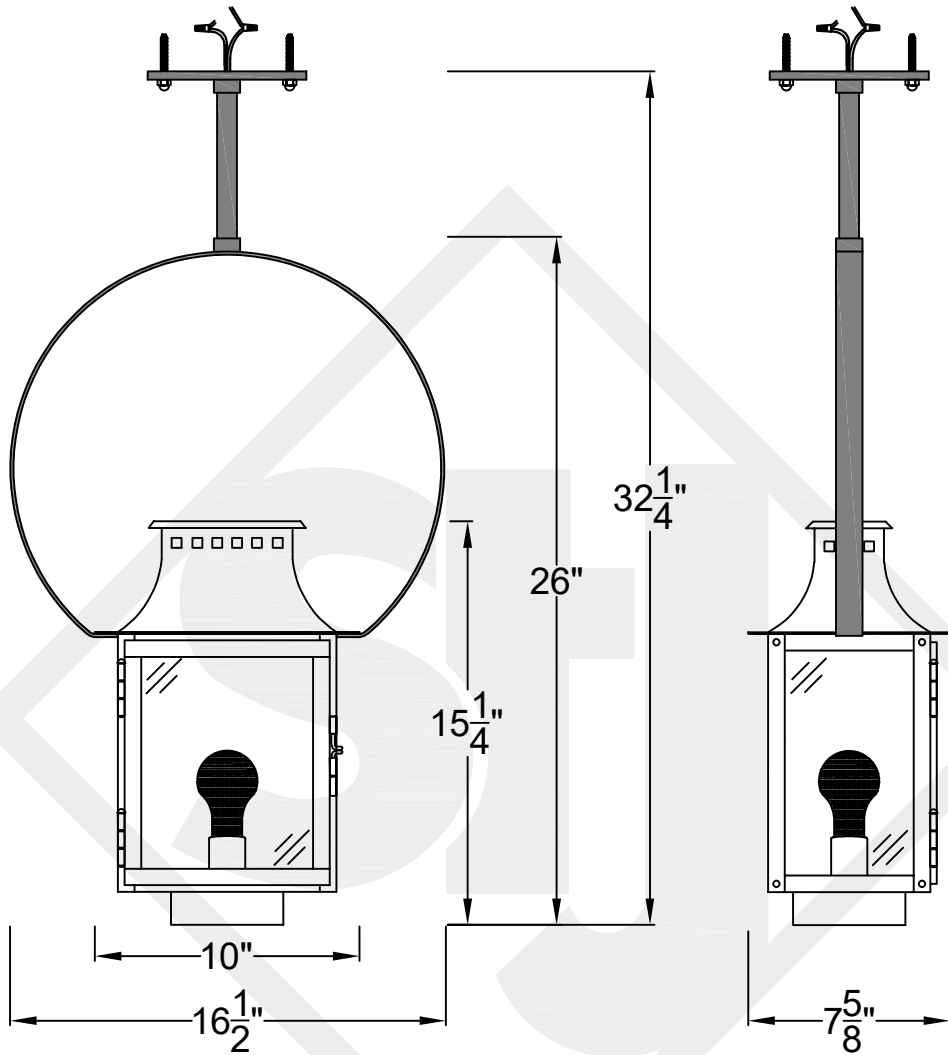


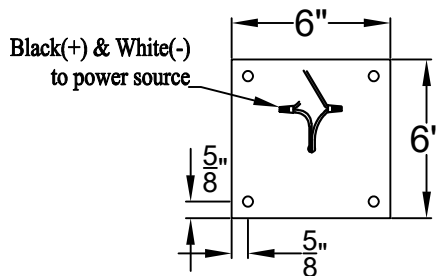
# ASPEN MINI CEILING MOUNT HALF YOKE

Shortest Height 27 <sup>3</sup>/<sub>4</sub>"



Front View

Side View



Ceiling Mount



St. James  
LIGHTING

SCALE: N.T.S.      DRAFT: Y. McCullough  
FILE: ASPMINI      APP'D: J. Ragan  
JOB: X              DATE: 11/13/23

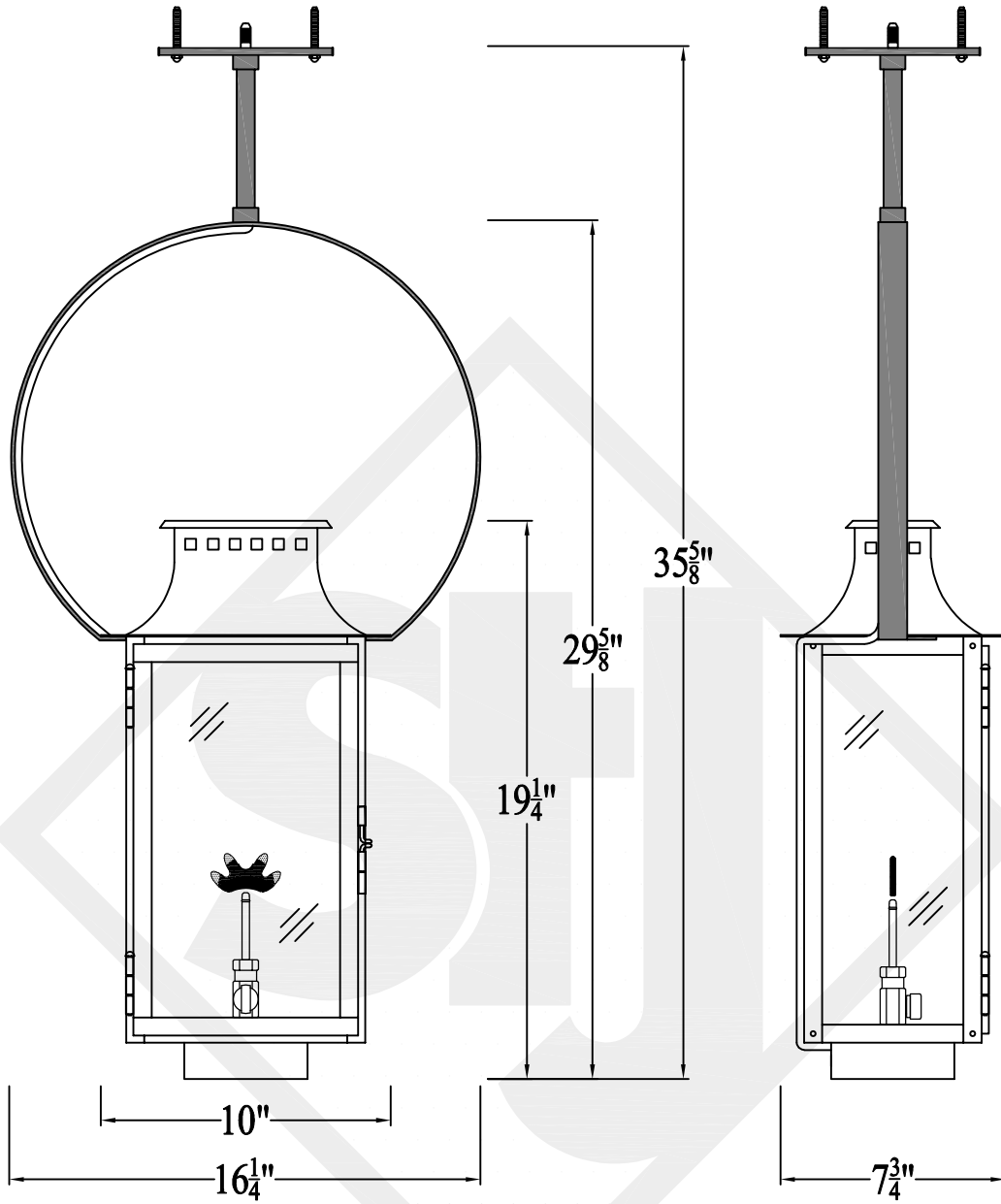
Lights are handcrafted.  
Dimensions may vary by 1/4"

UL Certified  
Candelabra- Max 60 Watt Bulb  
Edison- Max 660 Watt Bulb

Mini not available in gas

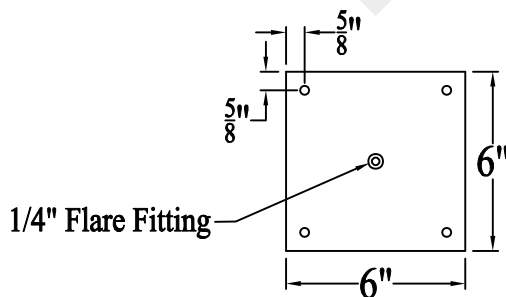
# ASPEN SMALL CEILING MOUNT HALF YOKE

Shortest Height 31 $\frac{3}{4}$ "



Front View

Side View



1/4" Flare Fitting

Ceiling Mount



St. James  
LIGHTING

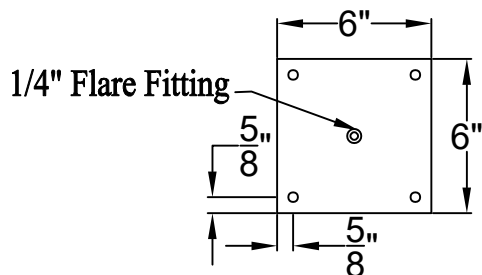
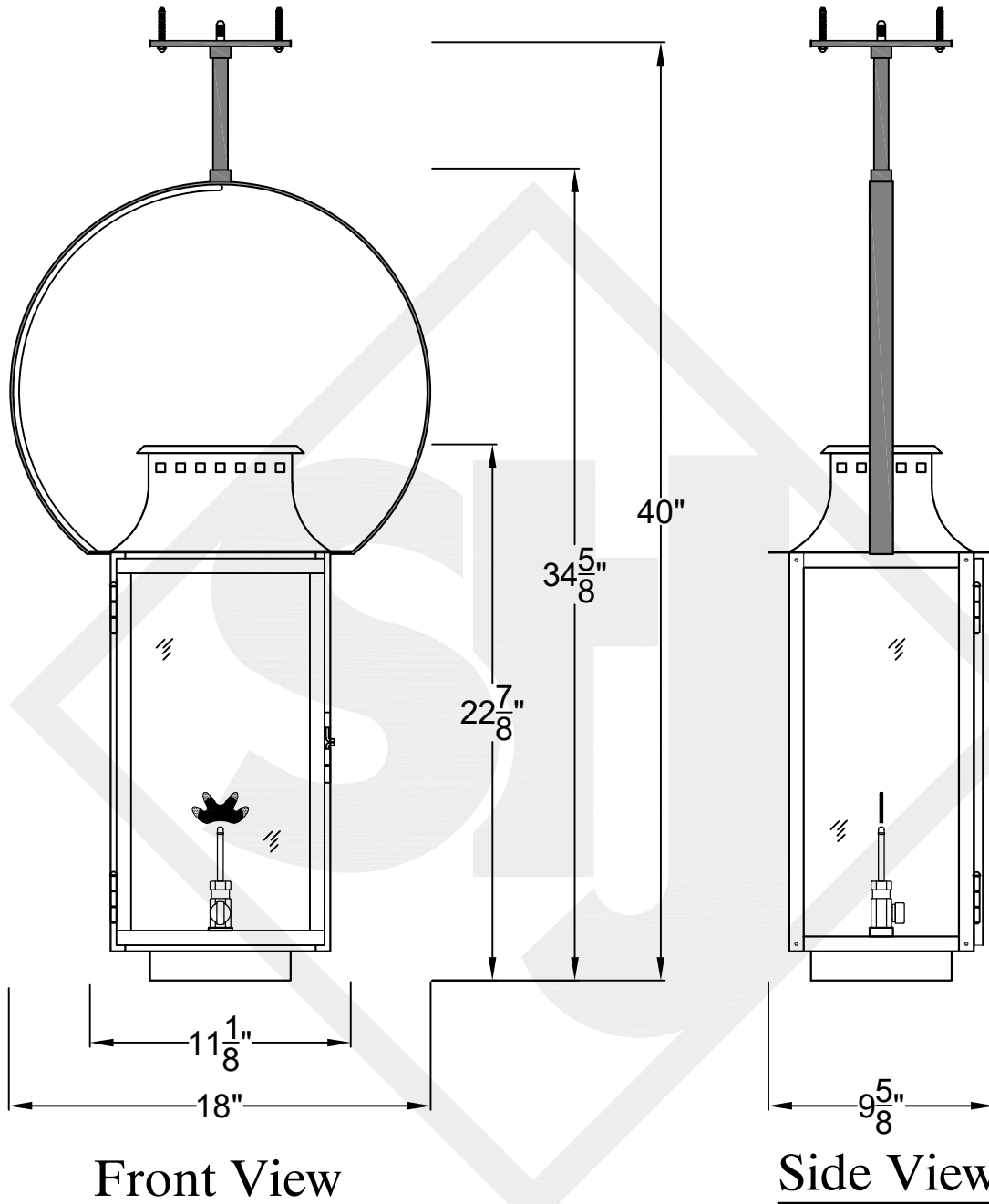
SCALE: N.T.S.	DRAFT: J. Grippo
FILE: ASPS	APP'D: J. Ragan
JOB: X	DATE: 11/8/23

Lights are handcrafted.  
Dimensions may vary by 1/4"

B.T.U. Rating  
Natural Gas: 2730 B.T.U.  
Propane: 2080 B.T.U.

# ASPEN MEDIUM CEILING MOUNT HALF YOKE

Shortest Height  $36\frac{3}{8}"$



## Ceiling Mount



St. James  
LIGHTING

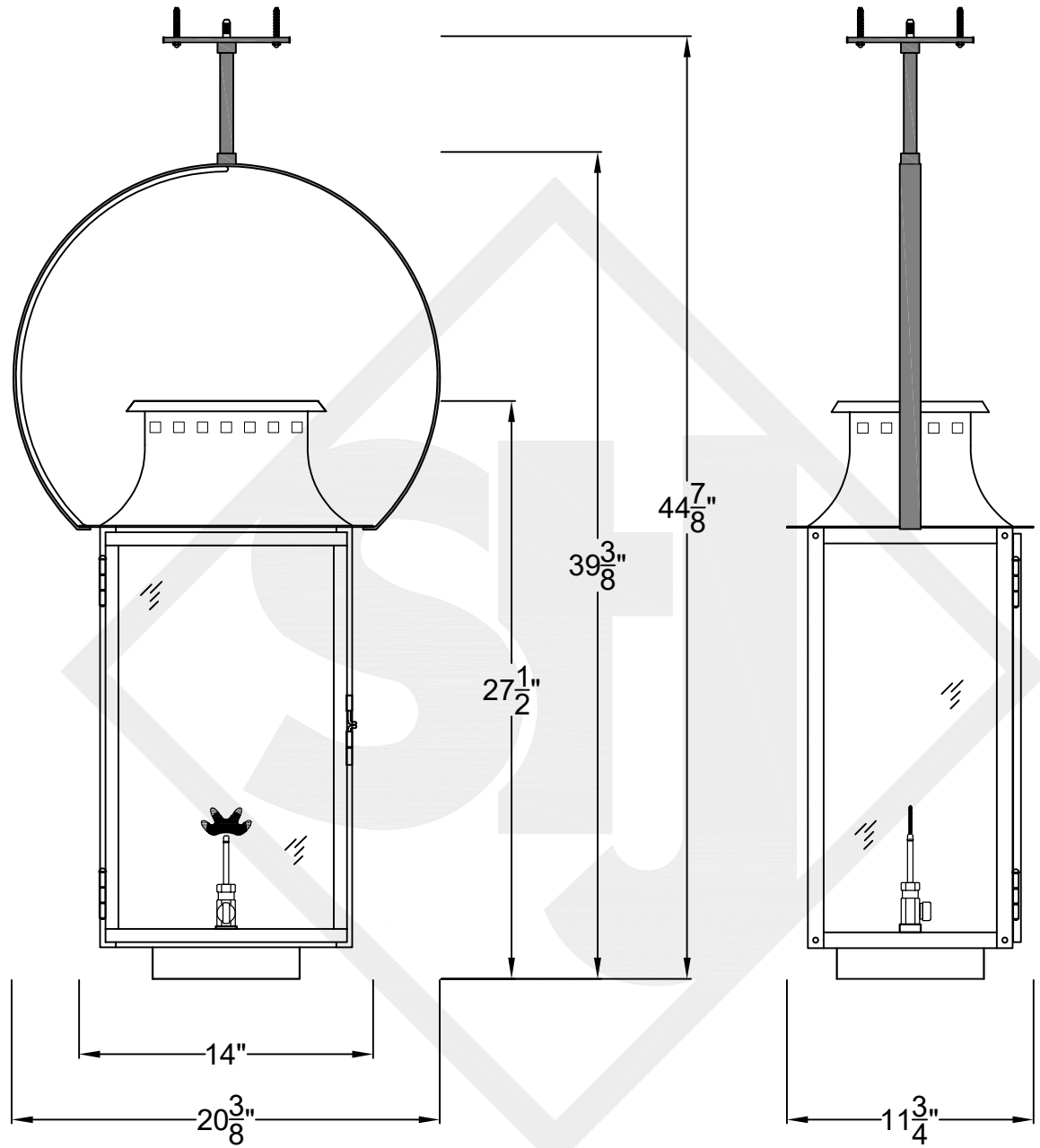
SCALE: N.T.S.	DRAFT: Y. McCullough
FILE: ASPM	APP'D: J. Ragan
JOB: X	DATE: 11/13/23

Lights are handcrafted.  
Dimensions may vary by 1/4"

B.T.U. Rating  
Natural Gas: 2730 B.T.U.  
Propane: 2080 B.T.U.

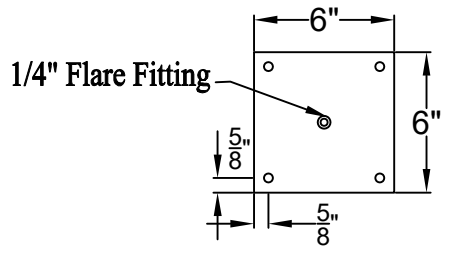
# ASPEN LARGE CEILING MOUNT HALF YOKE

Shortest Height 41"




Front View

Side View



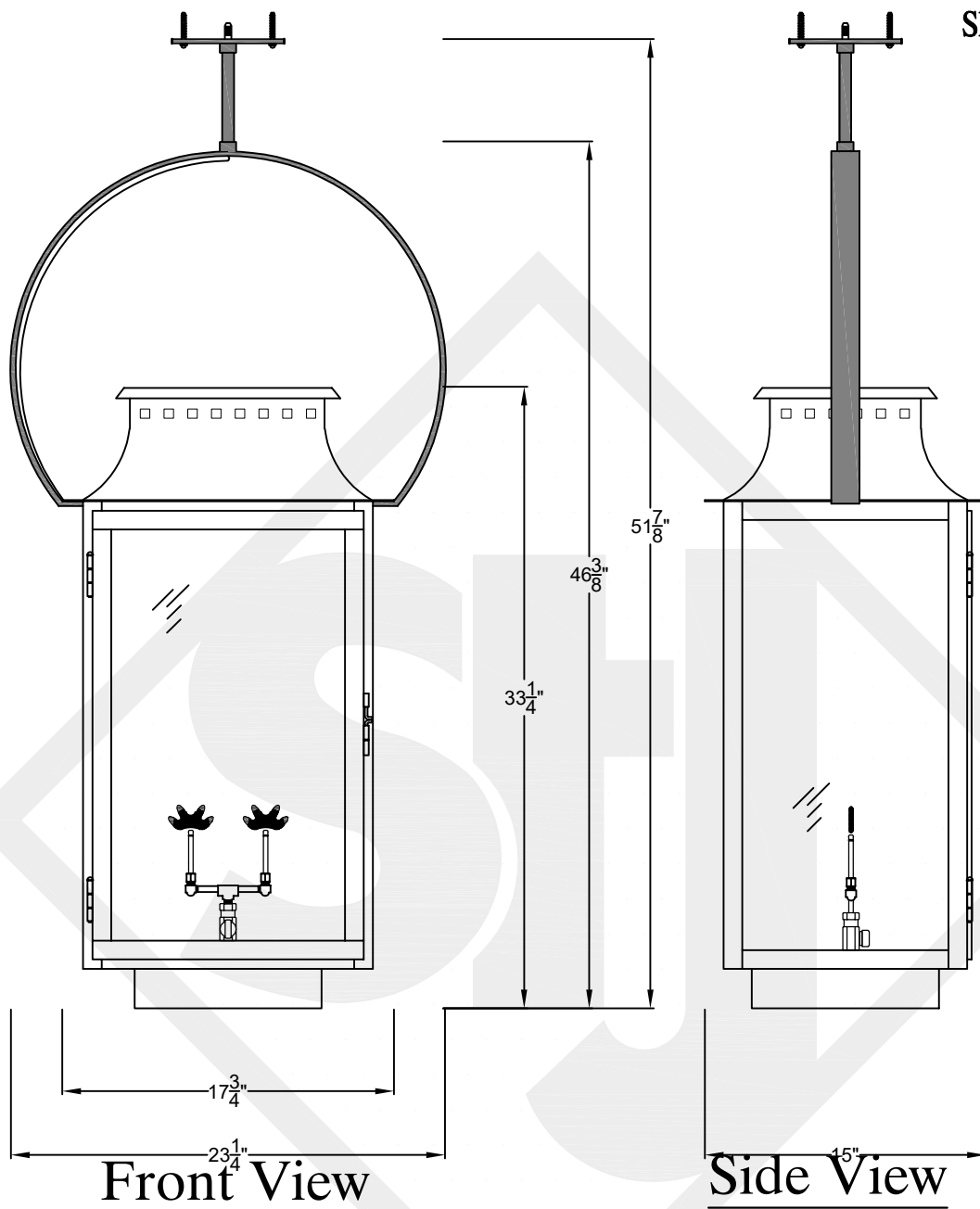
## Ceiling Mount

 <b>St. James LIGHTING</b>	
SCALE: N.T.S.	DRAFT: Y. McCullough
FILE: ASPL	APP'D: J. Ragan
JOB: X	DATE: 11/13/23

Lights are handcrafted.  
Dimensions may vary by 1/4"

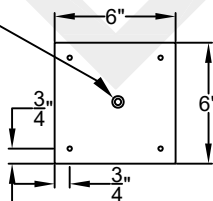
B.T.U. Rating  
Natural Gas: 2730 B.T.U.  
Propane: 2080 B.T.U.

# ASPEN GRANDE CEILING MOUNT HALF YOKE



Shortest Height 48"

1/4" Flare Fitting



## Ceiling Mount



St. James  
LIGHTING

SCALE: N.T.S.	DRAFT: Y. McCullough
FILE: ASPG	APP'D: J. Ragan
JOB: X	DATE: 11/11/23

Lights are handcrafted.  
Dimensions may vary by 1/4"

B.T.U. Rating  
Natural Gas: 5460 B.T.U.  
Propane: 4160 B.T.U.