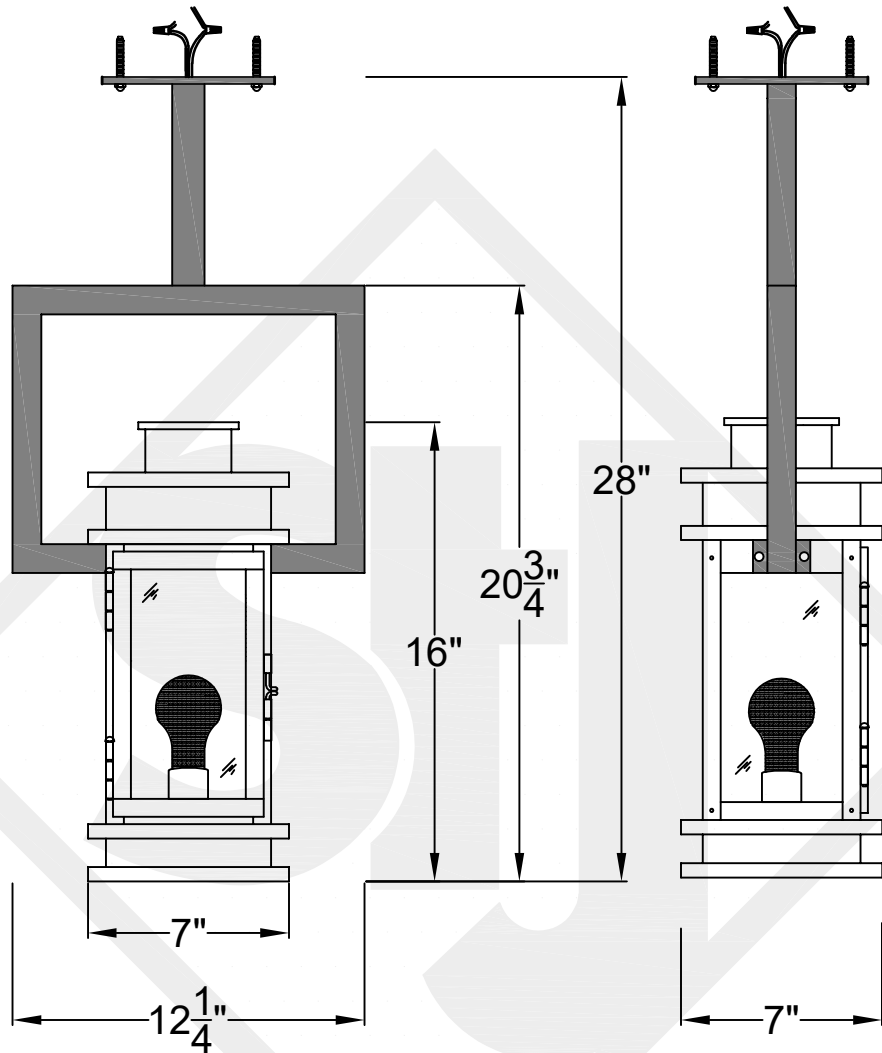


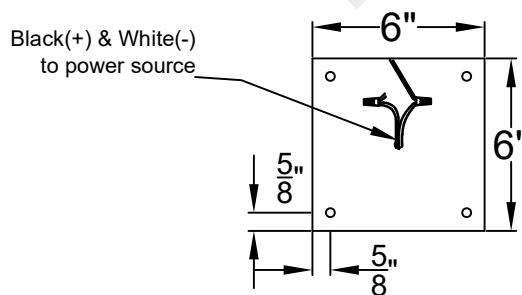
SOMERSET MINI CEILING MOUNT HALF YOKE

**Shortest
Height - 21 $\frac{3}{4}$ "**



Front View

Side View



Ceiling Mount

Mini not available in gas



**St. James
LIGHTING**

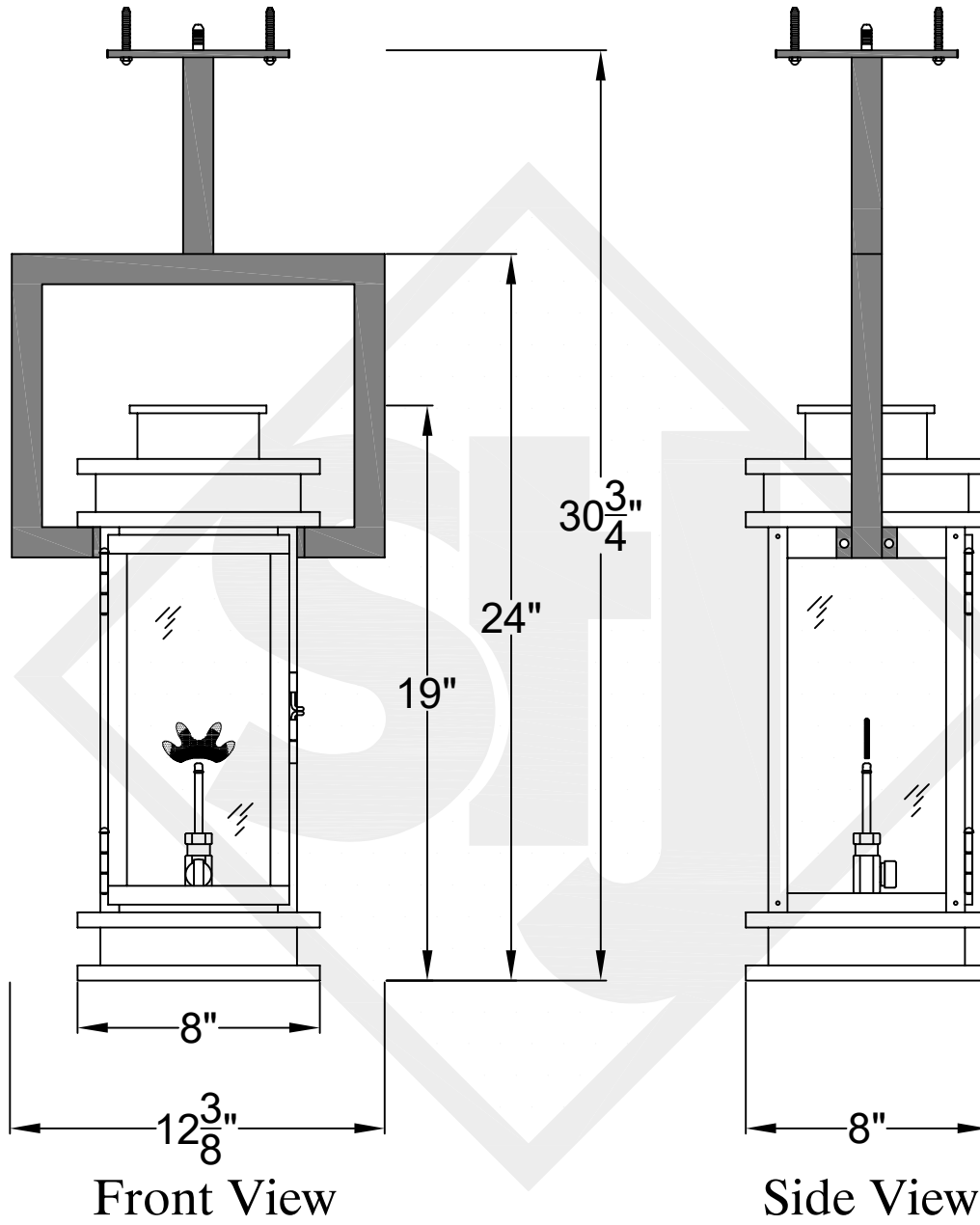
SCALE: N.T.S.	DRAFT: Y. McCullough
FILE: SOMMINI	APP'D: J. Ragan
JOB: X	DATE: 11/29/23

Lights are handcrafted.
Dimensions may vary by 1/4"

UL Certified
Candelabra- Max 60 Watt Bulb
Edison- Max 660 Watt Bulb

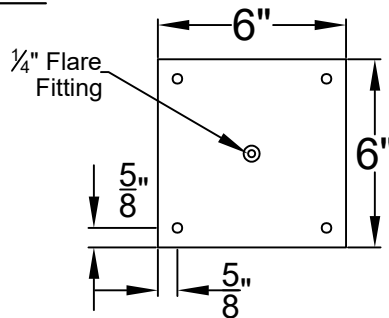
SOMERSET SMALL CEILING MOUNT HALF YOKE

Shortest Height $30\frac{3}{4}$ "



Front View

Side View



Ceiling Mount



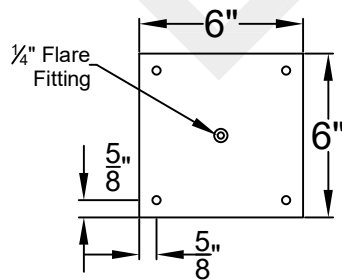
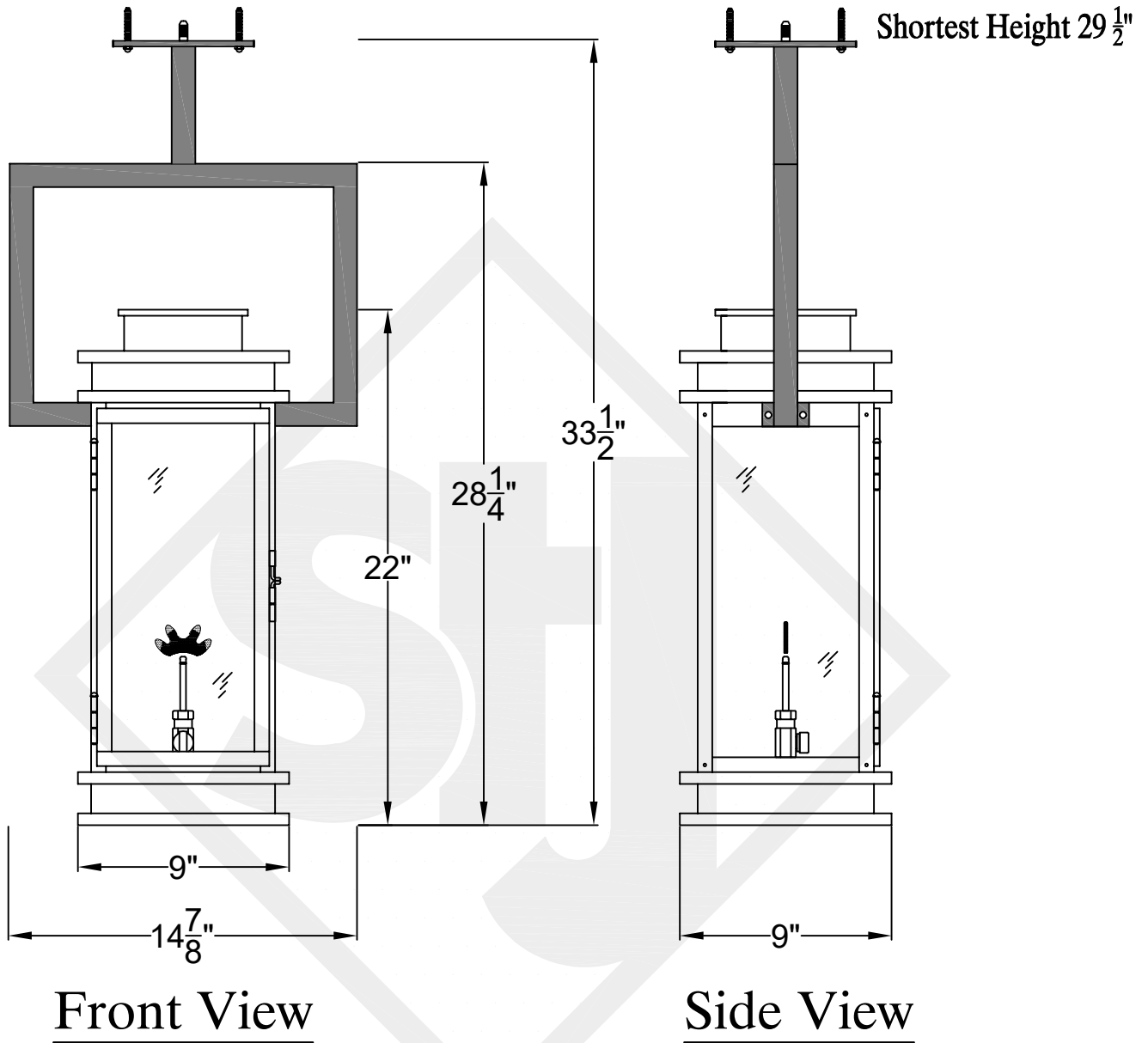
**St. James
LIGHTING**

SCALE: N.T.S.	DRAFT: Y. McCullough
FILE: SOMS	APP'D: J. Ragan
JOB: X	DATE: 11/29/23

Lights are handcrafted.
Dimensions may vary by 1/4"

UL Certified
Candelabra- Max 60 Watt Bulb
Edison- Max 660 Watt Bulb

SOMERSET MEDIUM CEILING MOUNT HALF YOKE



Ceiling Mount



St. James
LIGHTING

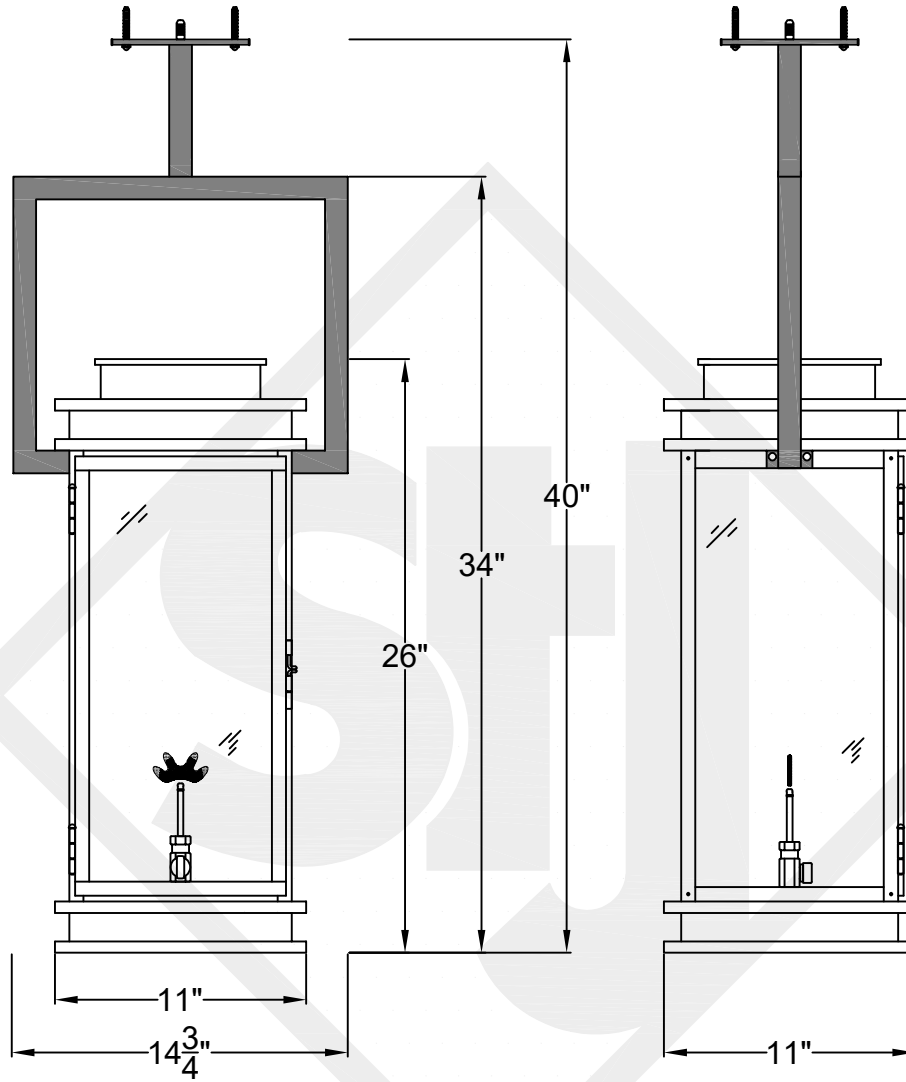
SCALE: N.T.S.	DRAFT: Y. McCullough
FILE: SOMM	APP'D: J. Ragan
JOB: X	DATE: 11/29/23

Lights are handcrafted.
Dimensions may vary by $1/4"$

B.T.U. Rating
Natural Gas: 2730 B.T.U.
Propane: 2080 B.T.U.

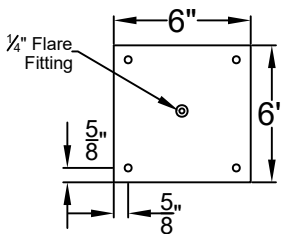
SOMERSET LARGE CEILING MOUNT HALF YOKE

Shortest Height 36 $\frac{1}{4}$ "



Front View

Side View



Ceiling Mount



St. James
LIGHTING

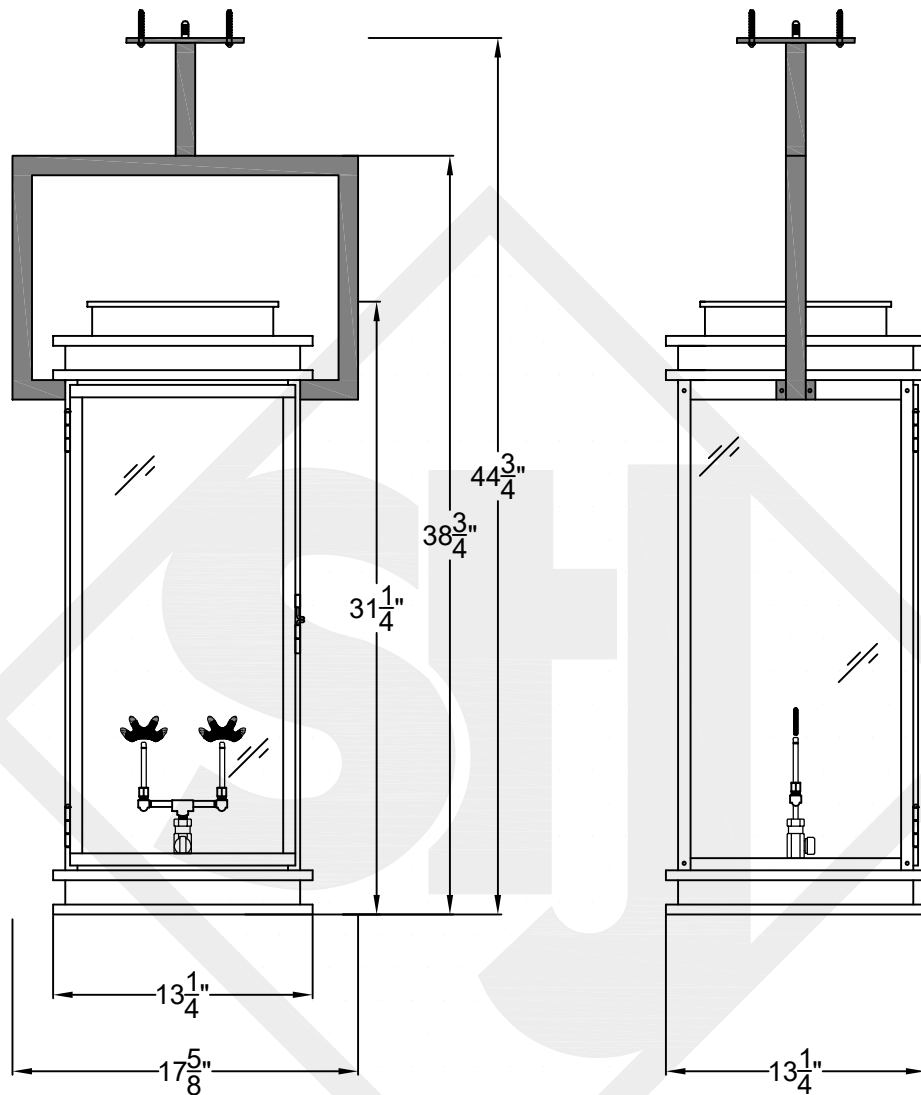
SCALE: N.T.S.	DRAFT: Y. McCullough
FILE: SOML	APP'D: J. Ragan
JOB: X	DATE: 11/29/23

Lights are handcrafted.
Dimensions may vary by 1/4"

B.T.U. Rating
Natural Gas: 2730 B.T.U.
Propane: 2080 B.T.U.

SOMERSET GRANDE CEILING MOUNT HALF YOKE

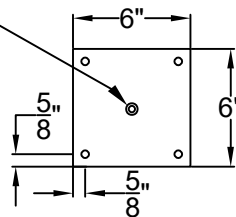
Shortest Height 43"



Front View

Side View

1/4" Flare Fitting



Ceiling Mount



St. James
LIGHTING

SCALE: N.T.S.	DRAFT: Y. McCullough
FILE: SOMG	APP'D: J. Ragan
JOB: X	DATE: 11/29/23

Lights are handcrafted.
Dimensions may vary by 1/4"

B.T.U. Rating
Natural Gas: 5460 B.T.U.
Propane: 4160 B.T.U.