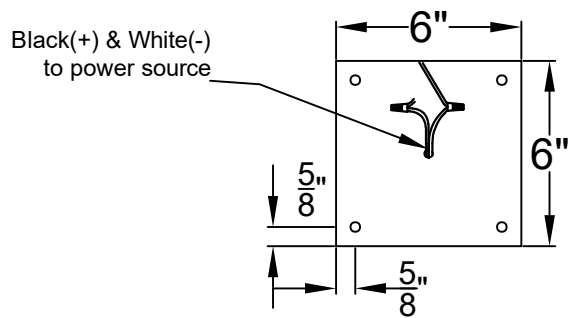
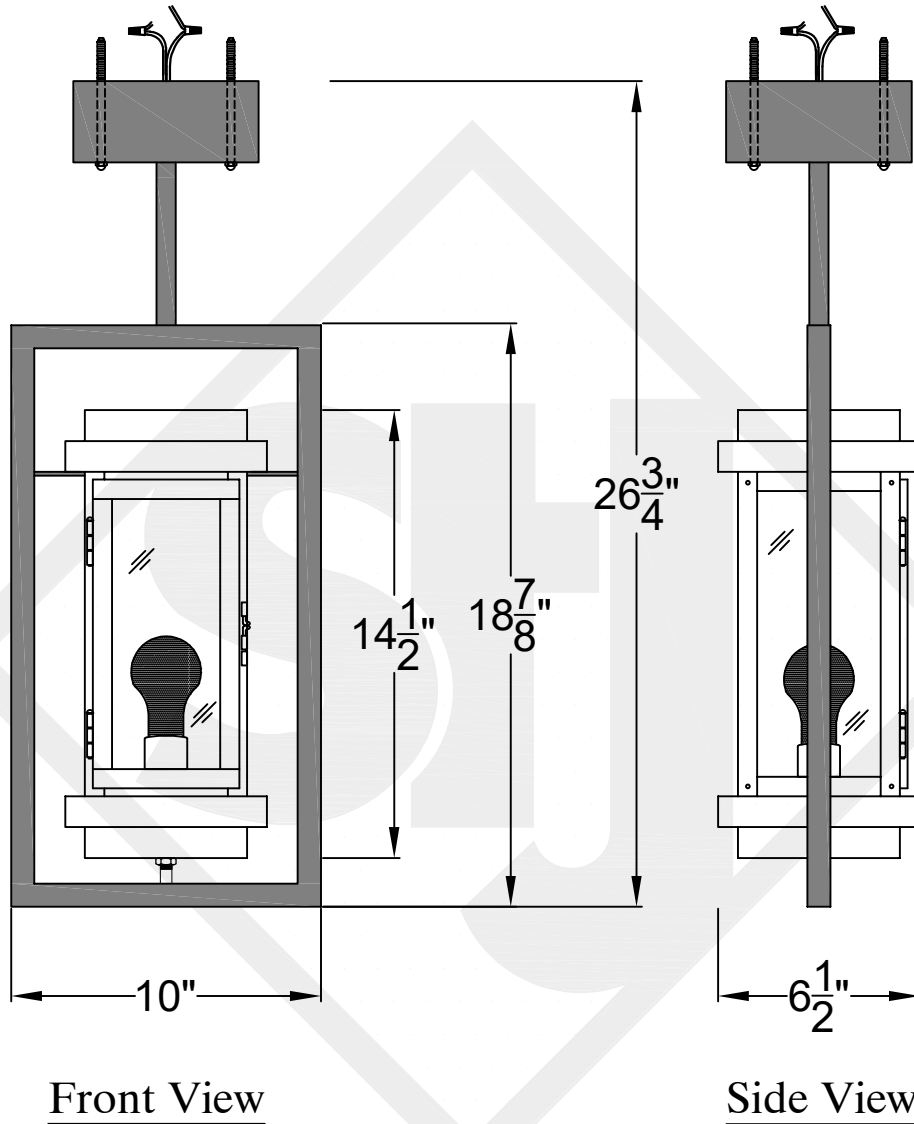



WINNIPEG MINI CEILING MOUNT FULL YOKE

Shortest Height 23"



Ceiling Mount

	St. James LIGHTING
SCALE: N.T.S.	DRAFT: T. Herring
FILE: WINMINI	APP'D: J. Ragan
JOB: X	DATE: 8-29-2023

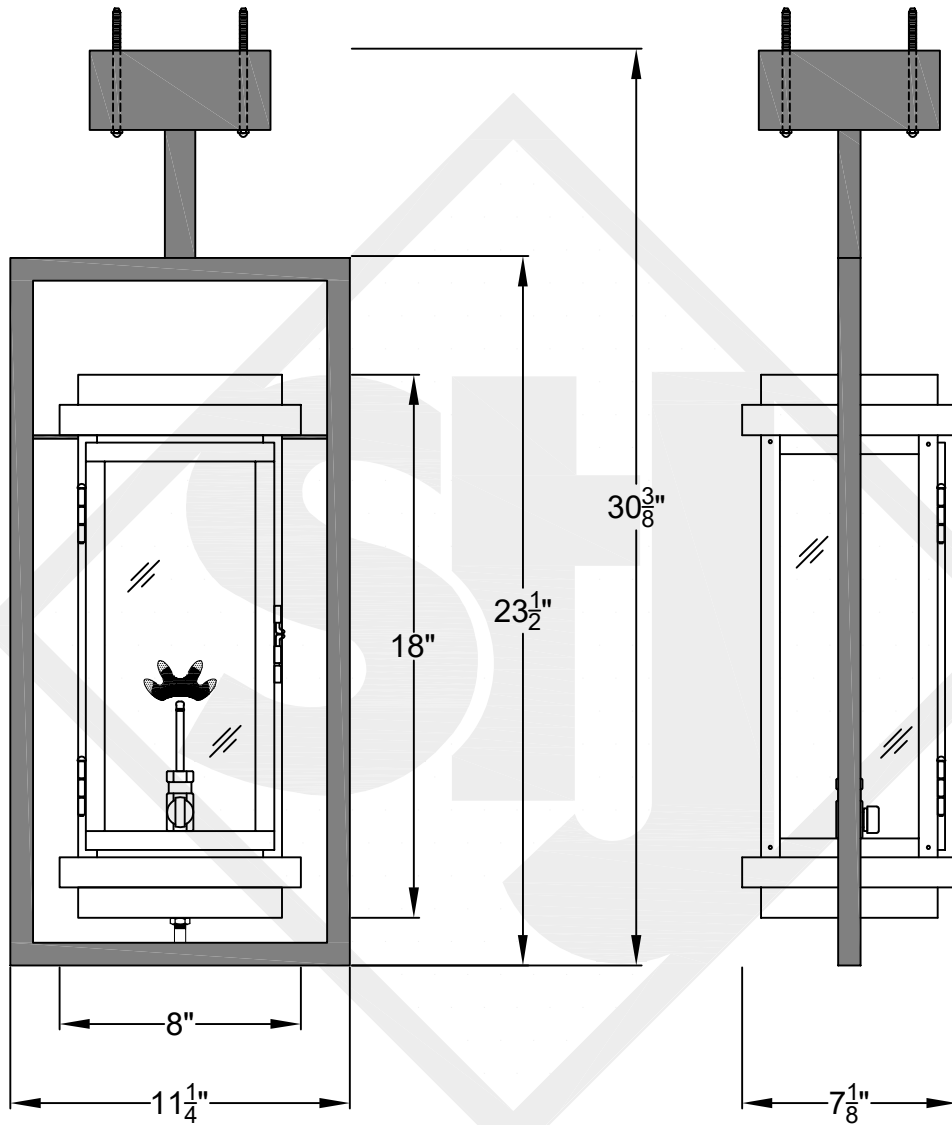
Lights are handcrafted.
Dimensions may vary by 1/4"

Mini not Available in Gas

UL Certified
Candelabra- Max 60 Watt Bulb
Edison- Max 660 Watt Bulb

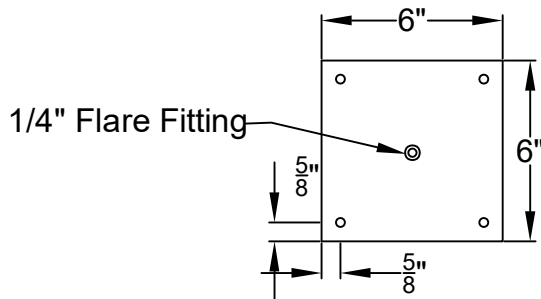
WINNIPEG SMALL CEILING MOUNT FULL YOKE

Shortest Height 29 ⁵/₈"



Front View

Side View



Ceiling Mount



**St. James
LIGHTING**

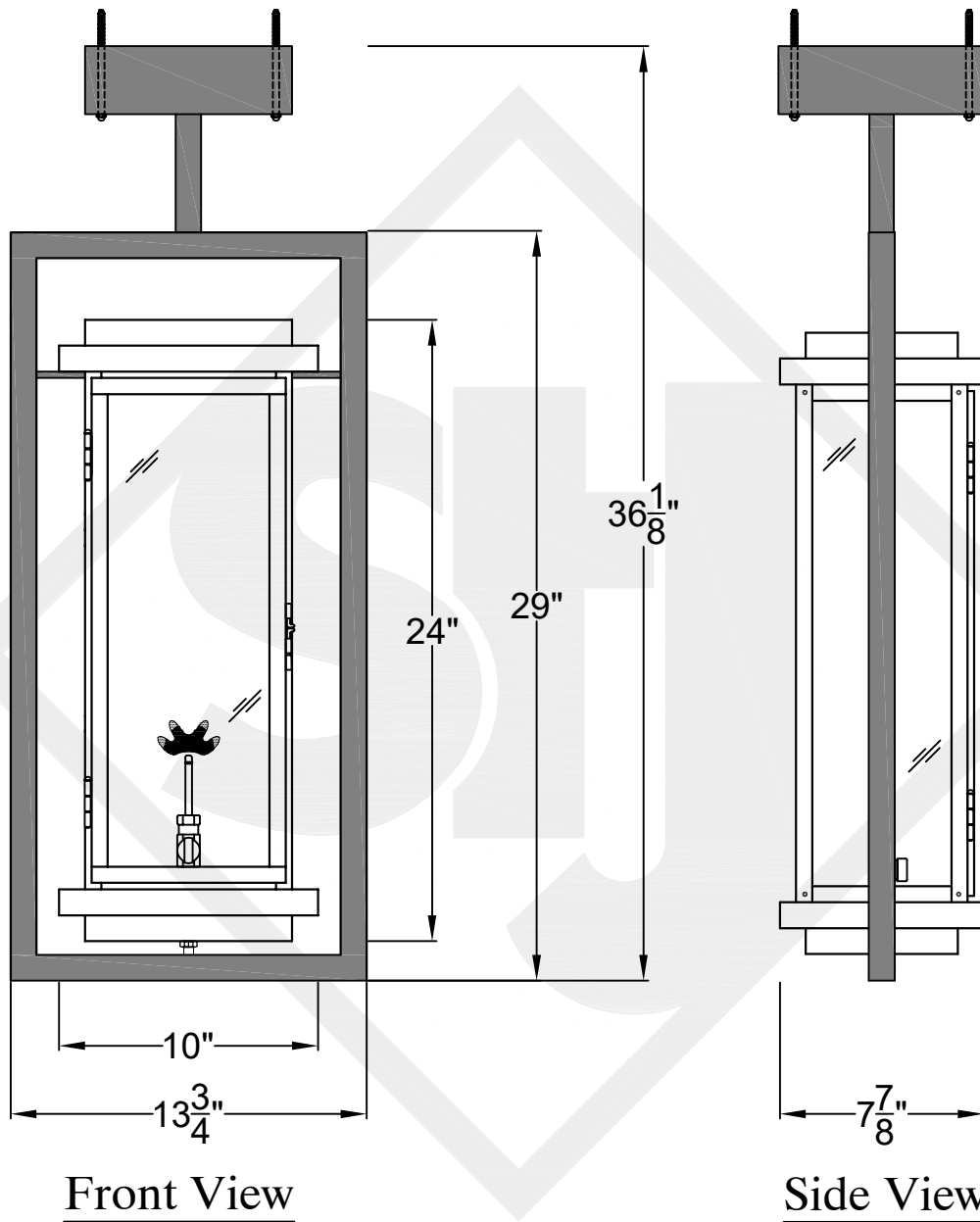
SCALE: N.T.S.	DRAFT: Y. McCullough
FILE: WINS	APP'D: J. Ragan
JOB: X	DATE: 12/6/23

Lights are handcrafted.
Dimensions may vary by 1/4"

B.T.U. Rating
Natural Gas: 2730 B.T.U.
Propane: 2080 B.T.U.

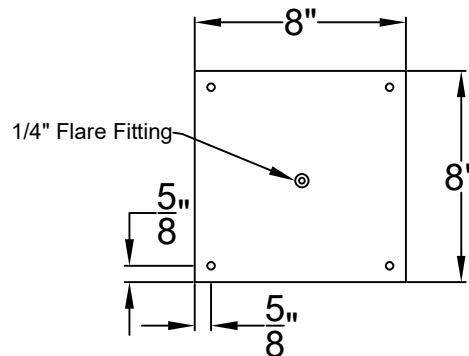
WINNIPEG MEDIUM CEILING MOUNT FULL YOKE

Shortest Height $35\frac{5}{8}"$



Front View

Side View



Ceiling Mount



LIGHTING

SCALE: N.T.S. DRAFT: J. GRIPPO

FILE: WINM APP'D: J. Ragan

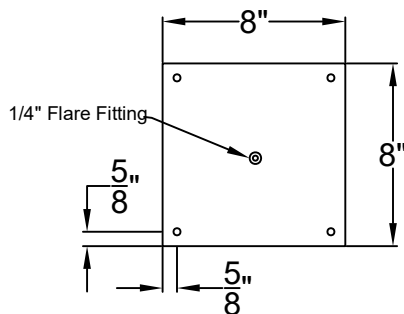
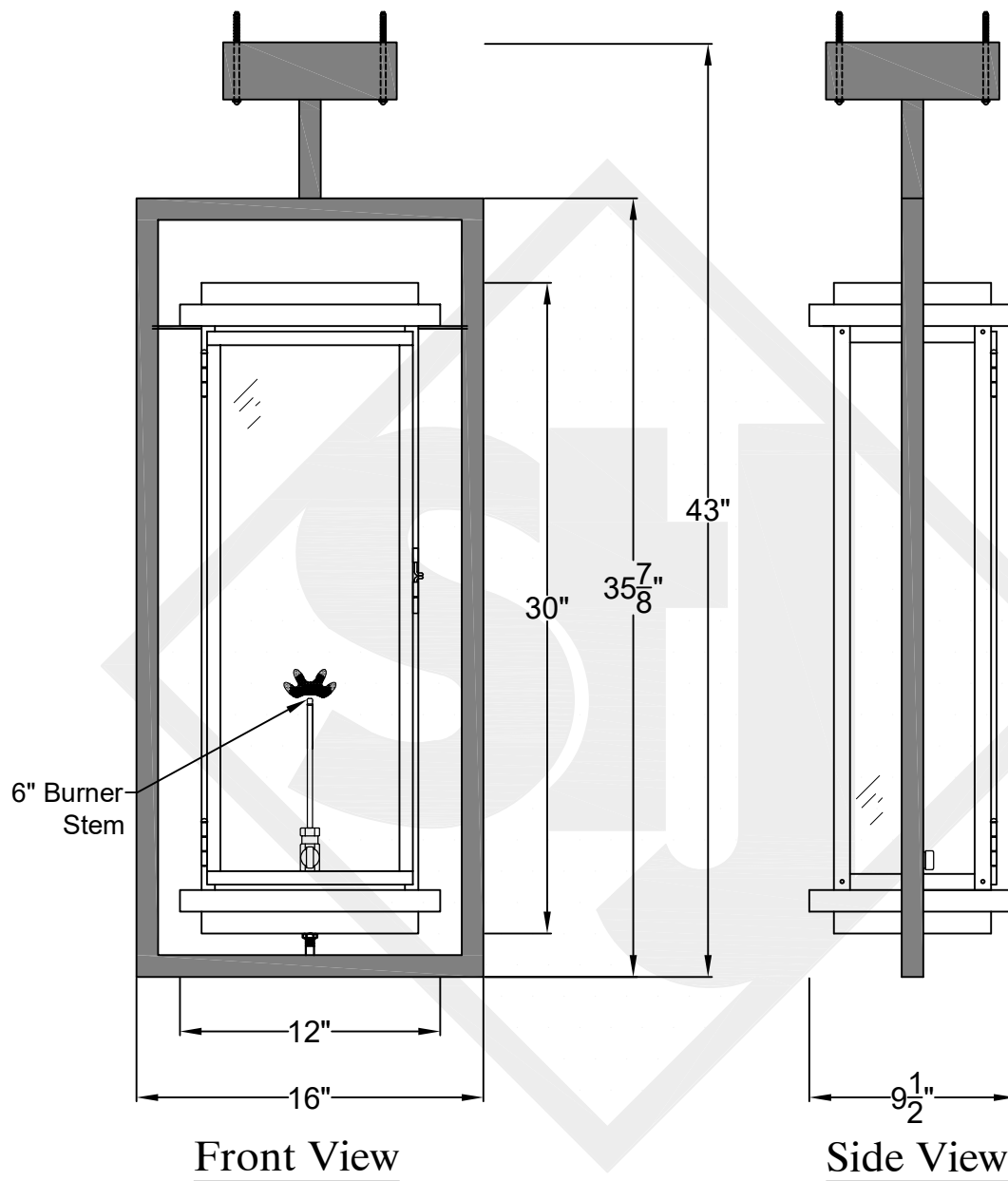
JOB: X DATE: 10-19-2023

Lights are handcrafted.
Dimensions may vary by $1/4"$

B.T.U. Rating
Natural Gas: 2730 B.T.U.
Propane: 2080 B.T.U.

WINNIPEG LARGE CEILING MOUNT FULL YOKE

Shortest Height 42"



Ceiling Mount



St. James
LIGHTING

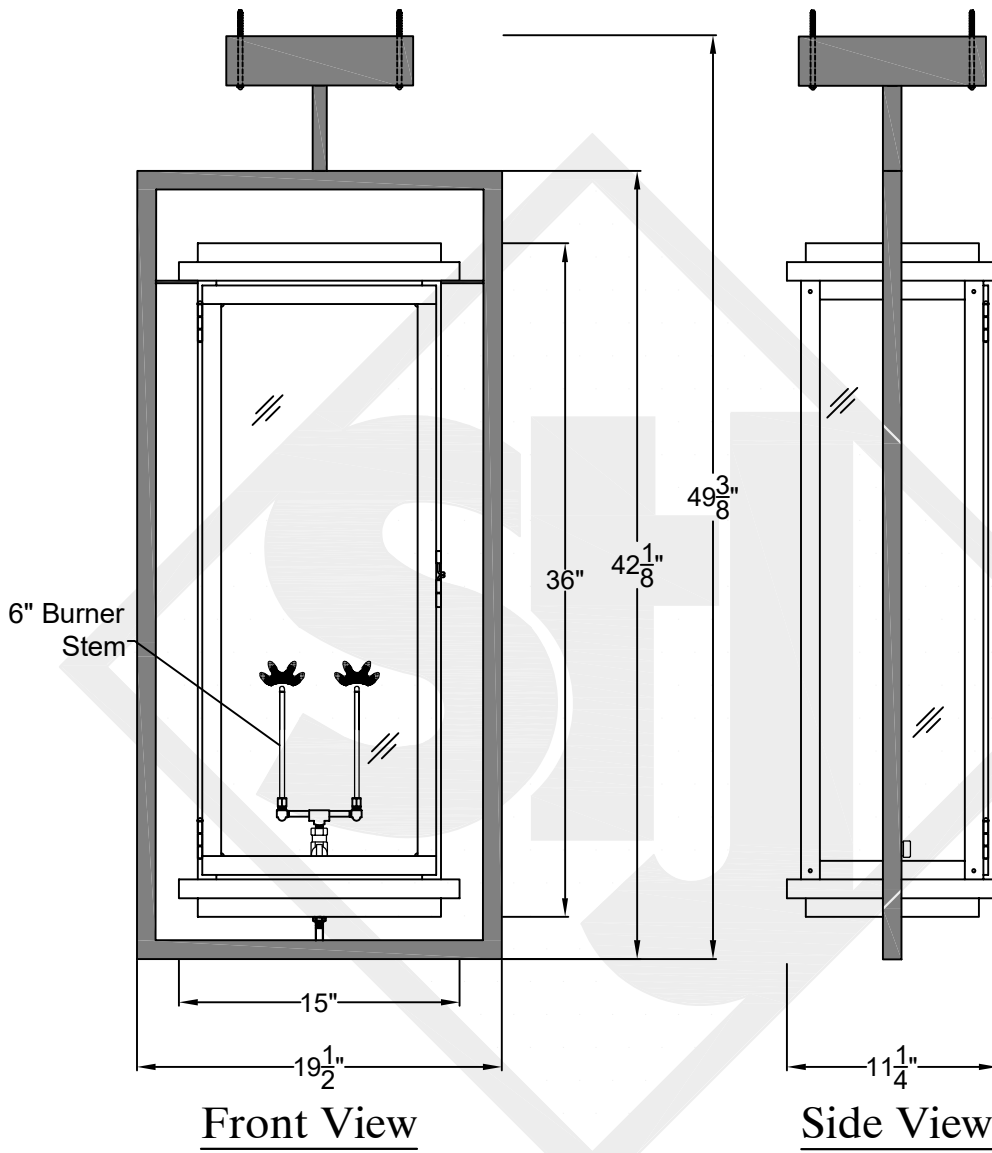
SCALE: N.T.S.	DRAFT: Y. McCullough
FILE: WINL	APP'D: J. Ragan
JOB: X	DATE: 12/6/23

Lights are handcrafted.
Dimensions may vary by 1/4"

B.T.U. Rating
Natural Gas: 2730 B.T.U.
Propane: 2080 B.T.U.

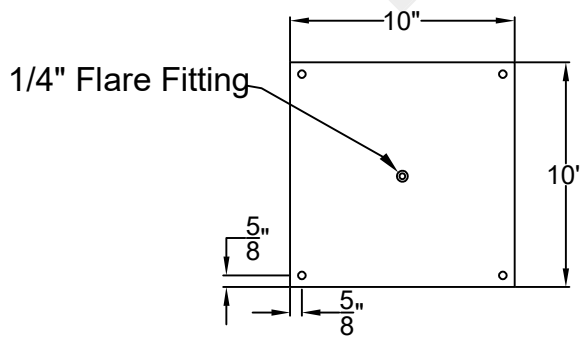
WINNIPEG GRANDE CEILING MOUNT FULL YOKE

Shortest Height 48 $\frac{1}{4}$ "



Front View

Side View



Ceiling Mount



**St. James
LIGHTING**

SCALE: N.T.S.	DRAFT: Y. McCullough
FILE: WING	APP'D: J. Ragan
JOB: X	DATE: 12/6/23

Lights are handcrafted.
Dimensions may vary by 1/4"

B.T.U. Rating
Natural Gas: 5460 B.T.U.
Propane: 4160 B.T.U.