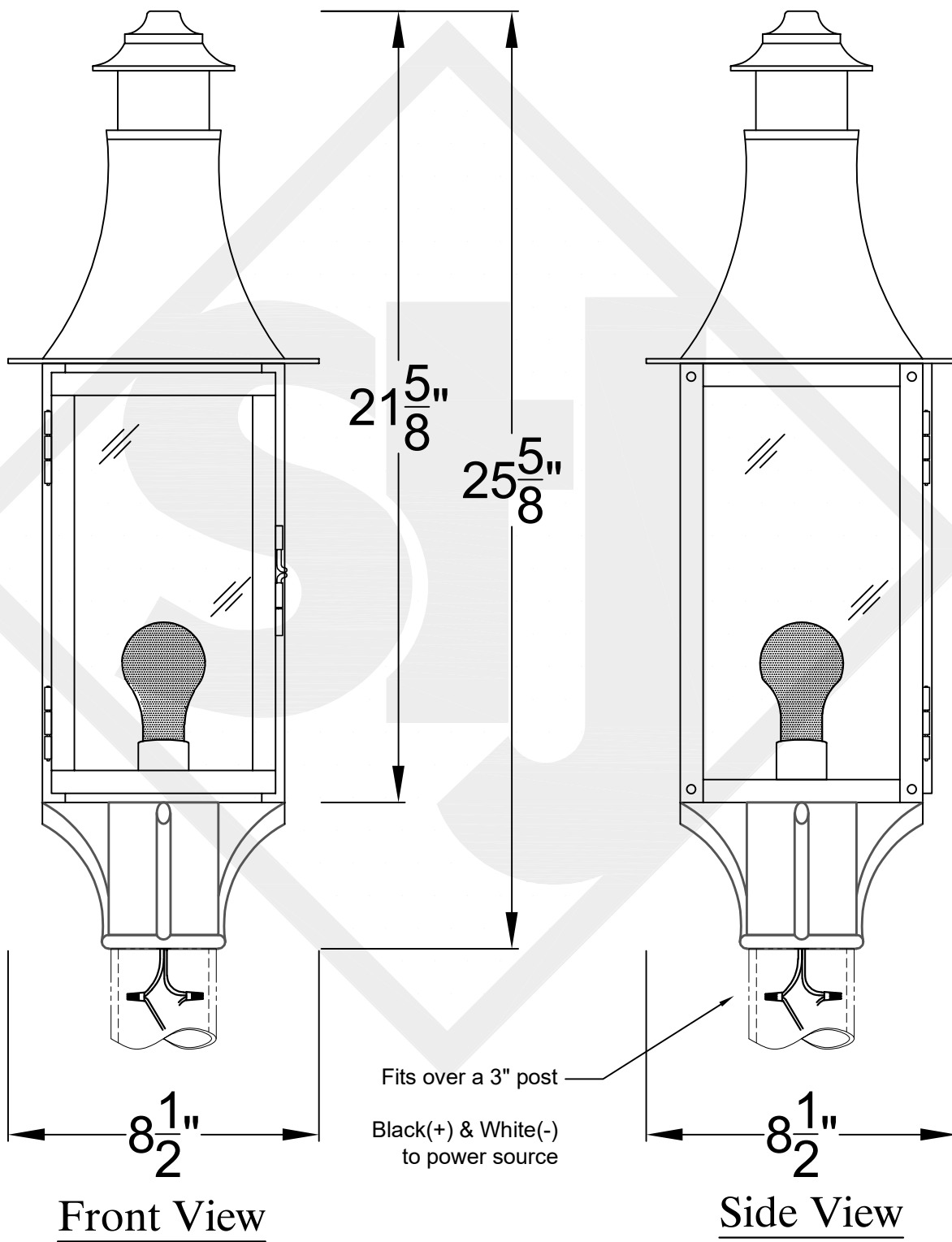


# MADISON MINI COPPER POST MOUNT



St. James  
LIGHTING

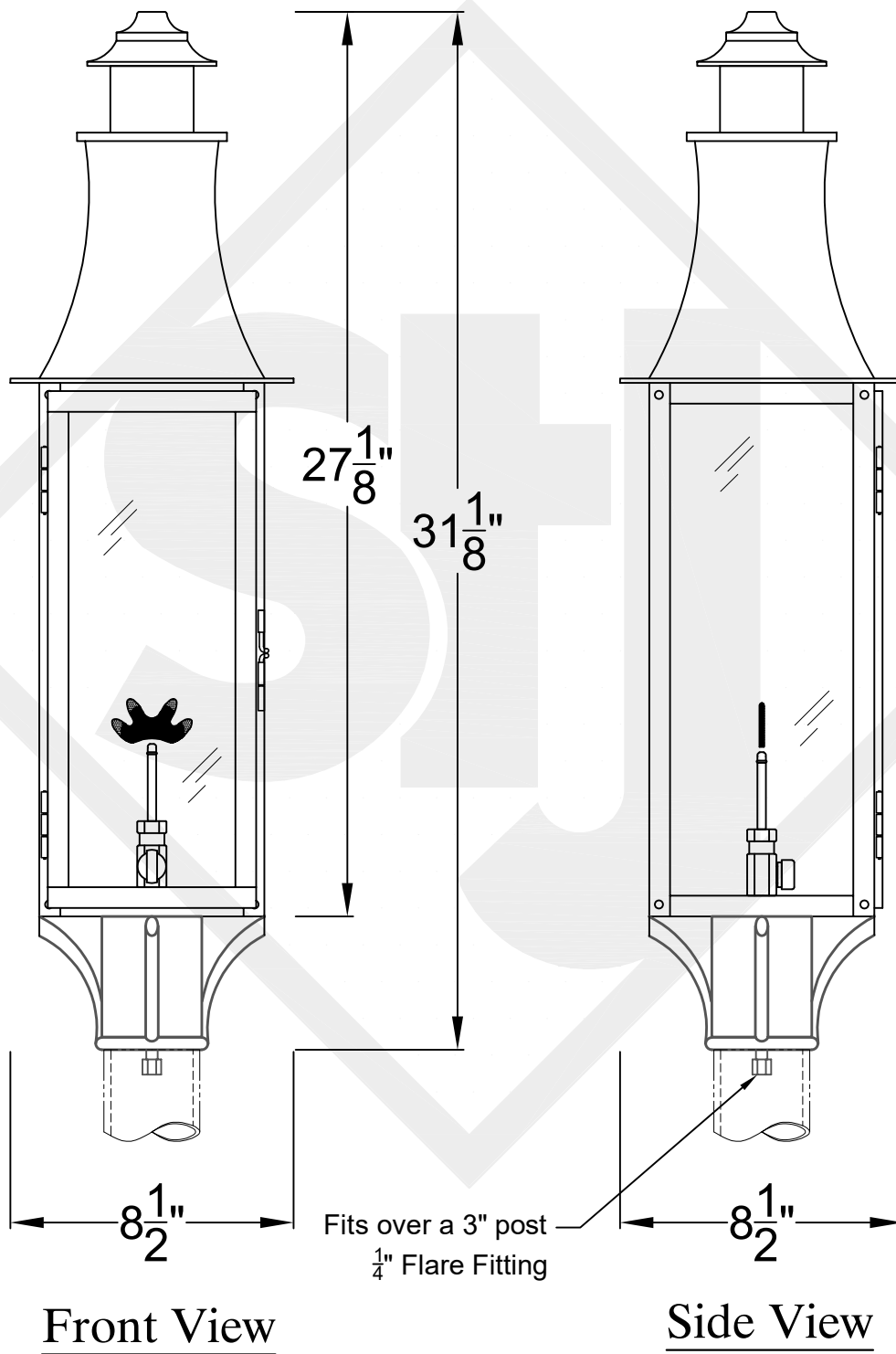
SCALE: N.T.S.      DRAFT: T. Herring  
 FILE: MADMINI      APP'D: J. Ragan  
 JOB: X      DATE: 8-7-2023

Lights are handcrafted.  
 Dimensions may vary by 1/4"

**Mini not Available in Gas**

UL Certified  
 Candelabra- Max 60 Watt Bulb  
 Edison- Max 660 Watt Bulb

# MADISON SMALL COPPER POST MOUNT



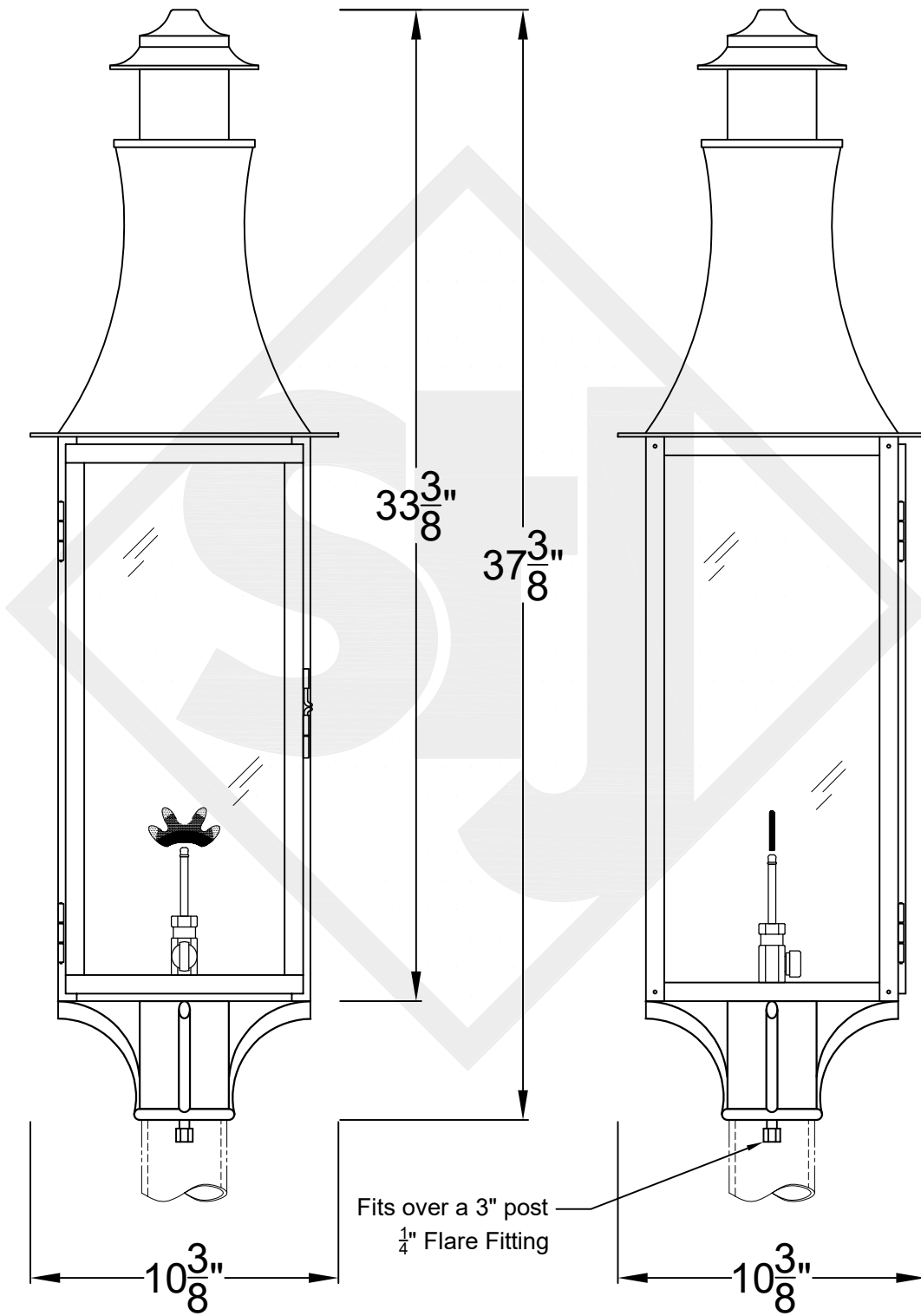
St. James  
LIGHTING

SCALE: N.T.S.      DRAFT: T. Herring  
FILE: MADS      APP'D: J. Ragan  
JOB: X      DATE: 8-8-2023

Lights are handcrafted.  
Dimensions may vary by 1/4"

B.T.U. Rating  
Natural Gas: 2730 B.T.U.  
Propane: 2080 B.T.U.

# MADISON MEDIUM COPPER POST MOUNT



Front View

Side View



St. James  
LIGHTING

SCALE: N.T.S.	DRAFT: Y. McCullough
FILE: MADM	APP'D: J. Ragan
JOB: X	DATE: 11/21/23

Lights are handcrafted.  
Dimensions may vary by 1/4"

B.T.U. Rating  
Natural Gas: 2730 B.T.U.  
Propane: 2080 B.T.U.



