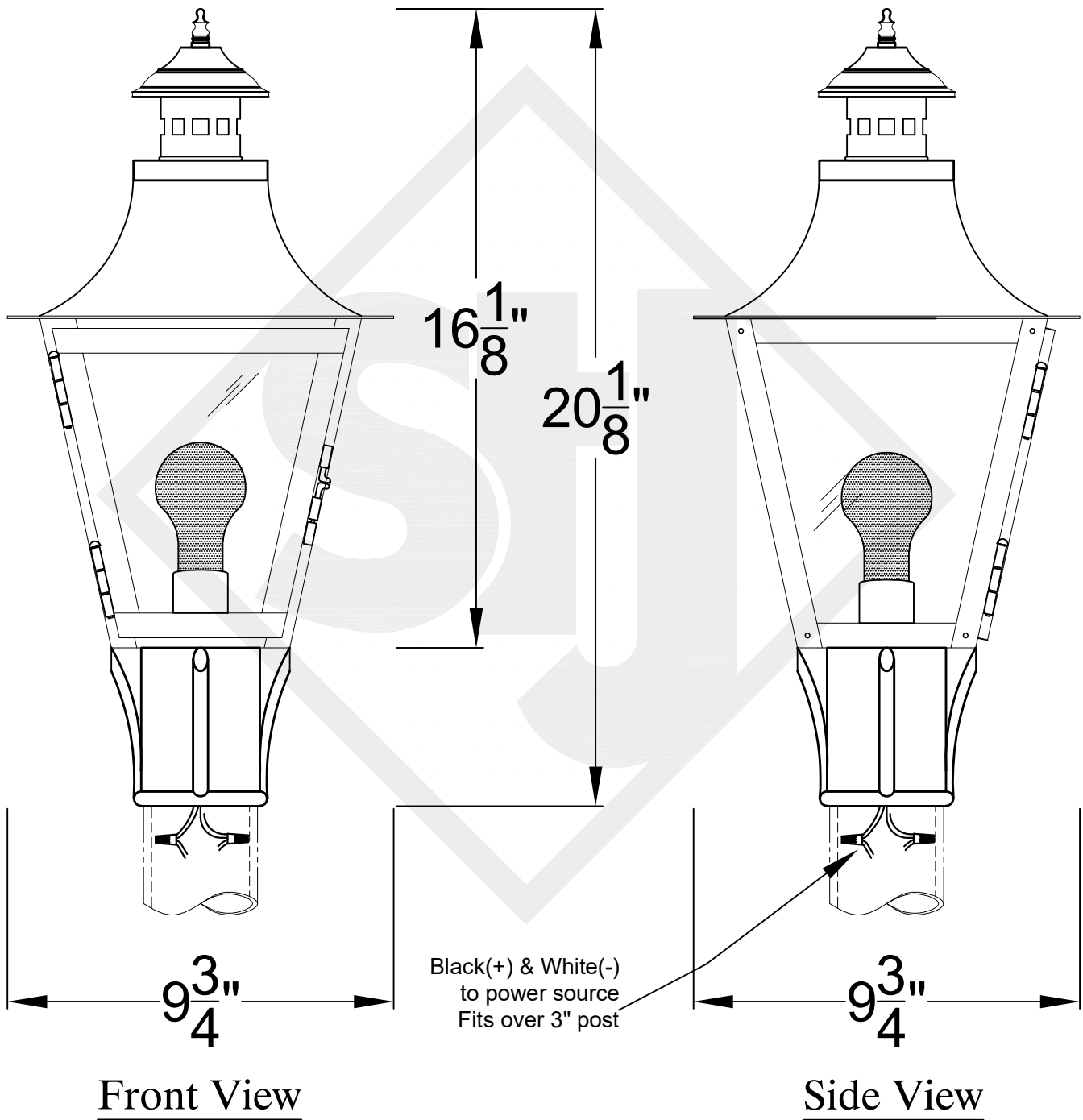


# MONTROSE MINI COPPER POST MOUNT



St. James  
LIGHTING

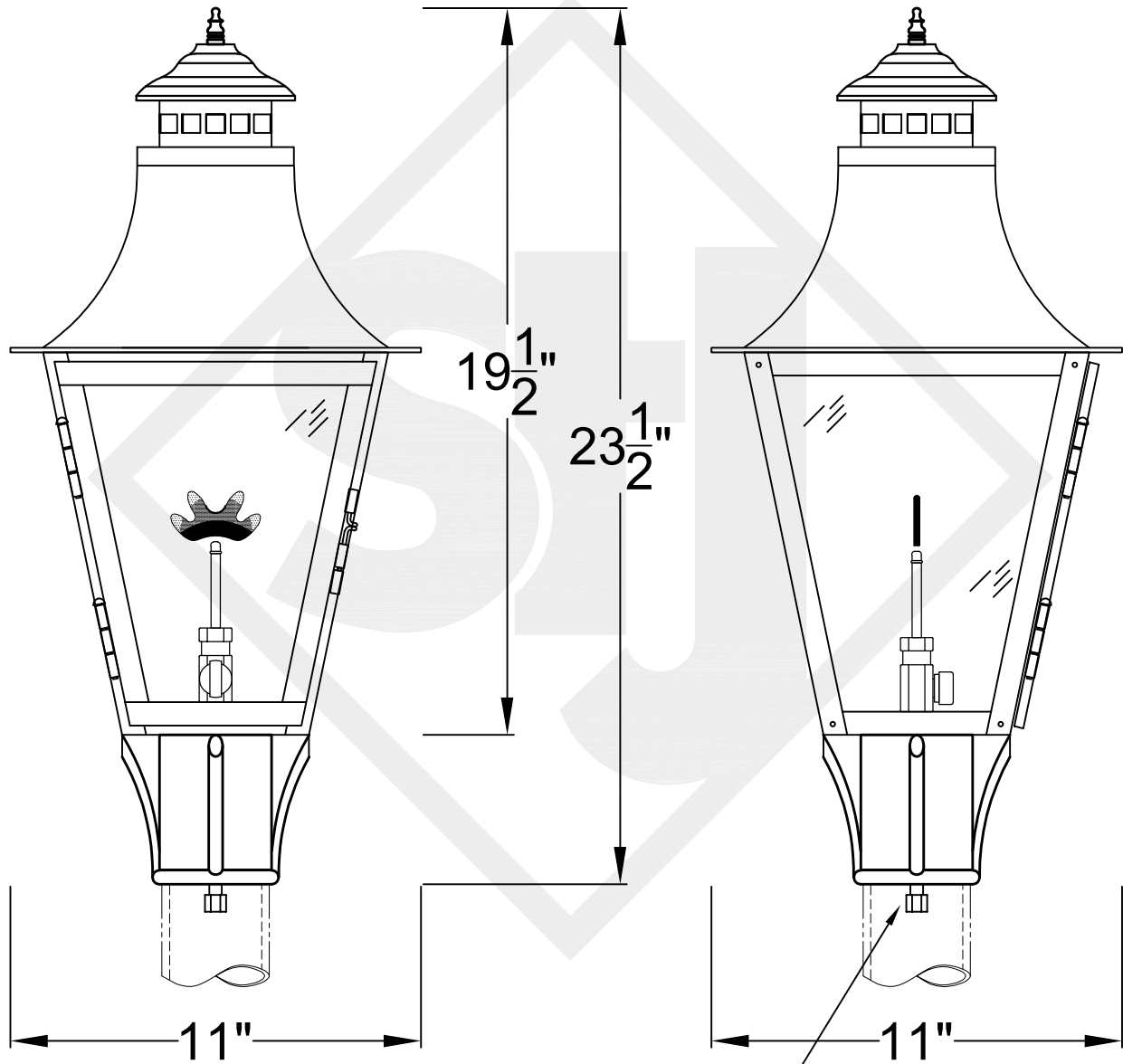
SCALE: N.T.S. DRAFT: T. Herring  
FILE: MONMINI APP'D: J. Ragan  
JOB: X DATE: 8-18-2023

Lights are handcrafted.  
Dimensions may vary by 1/4"

Mini not Available in Gas

UL Certified  
Candelabra- Max 60 Watt Bulb  
Edison- Max 660 Watt Bulb

# MONTROSE SMALL COPPER POST MOUNT



Front View

Fits over a 3" post  
1/4" Flare Fitting

Side View



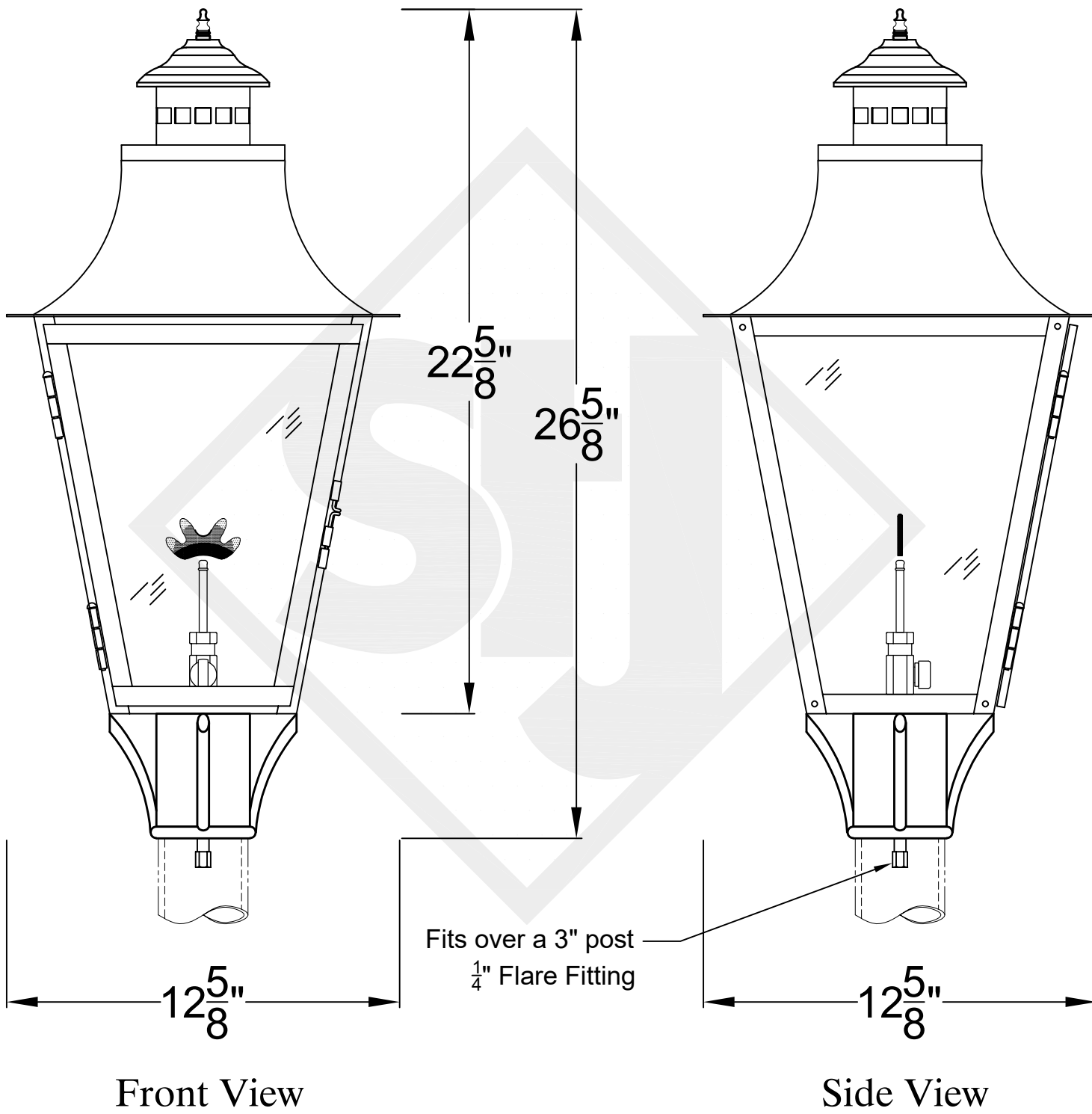
St. James  
LIGHTING


SCALE: N.T.S.	DRAFT: T. Herring
FILE: MONS	APP'D: J. Ragan
JOB: X	DATE: 8-7-2023

Lights are handcrafted.  
Dimensions may vary by 1/4"

B.T.U. Rating  
Natural Gas: 2730 B.T.U.  
Propane: 2080 B.T.U.

# MONTROSE MEDIUM COPPER POST MOUNT

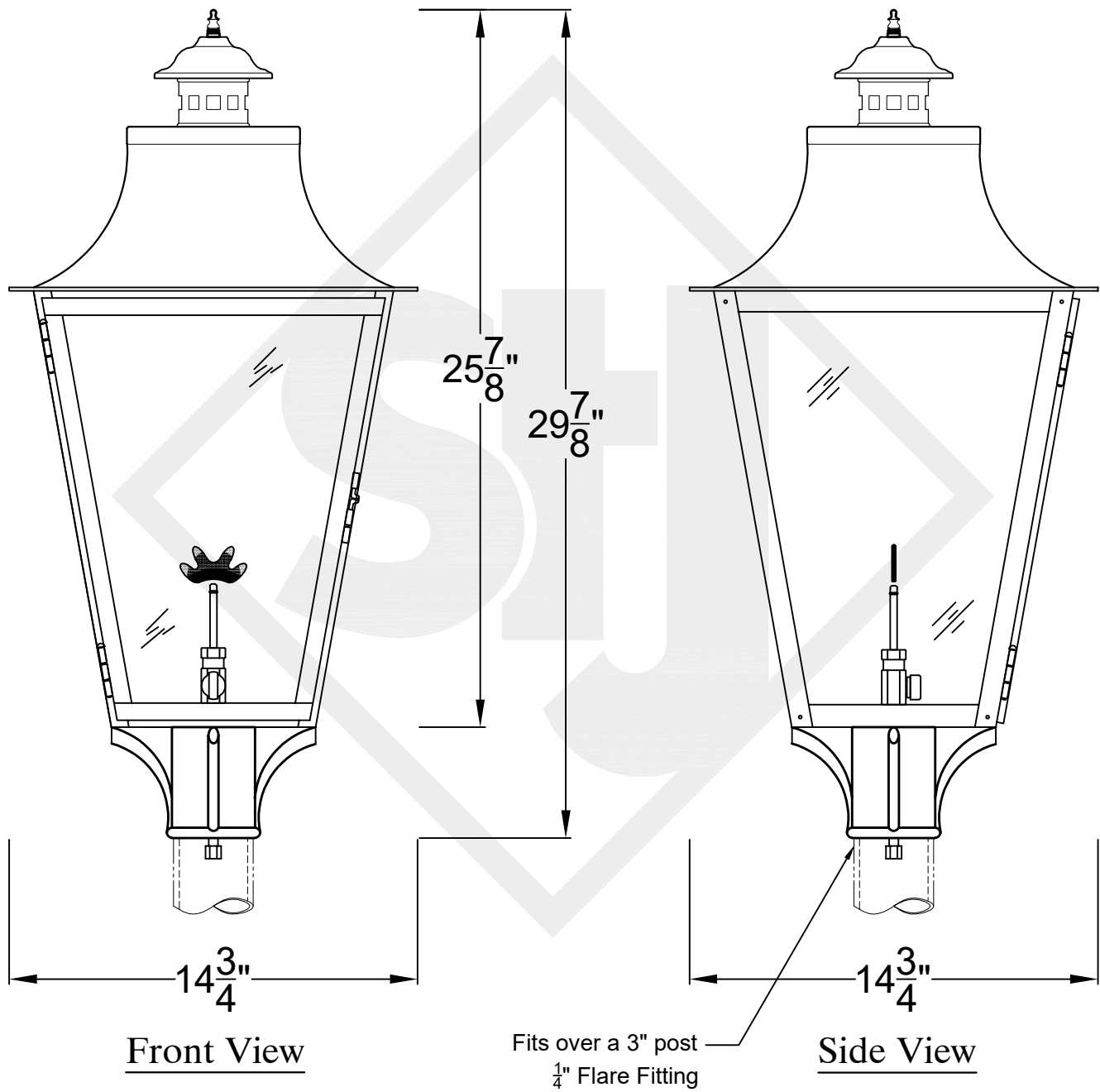


	St. James LIGHTING	
	SCALE: N.T.S.	DRAFT: Y. McCullough
	FILE: MONM	APP'D: J. Ragan
	JOB: X	DATE: 11/20/23

Lights are handcrafted.  
Dimensions may vary by 1/4"

B.T.U. Rating  
Natural Gas: 2730 B.T.U.  
Propane: 2080 B.T.U.

# MONTROSE LARGE COPPER POST MOUNT



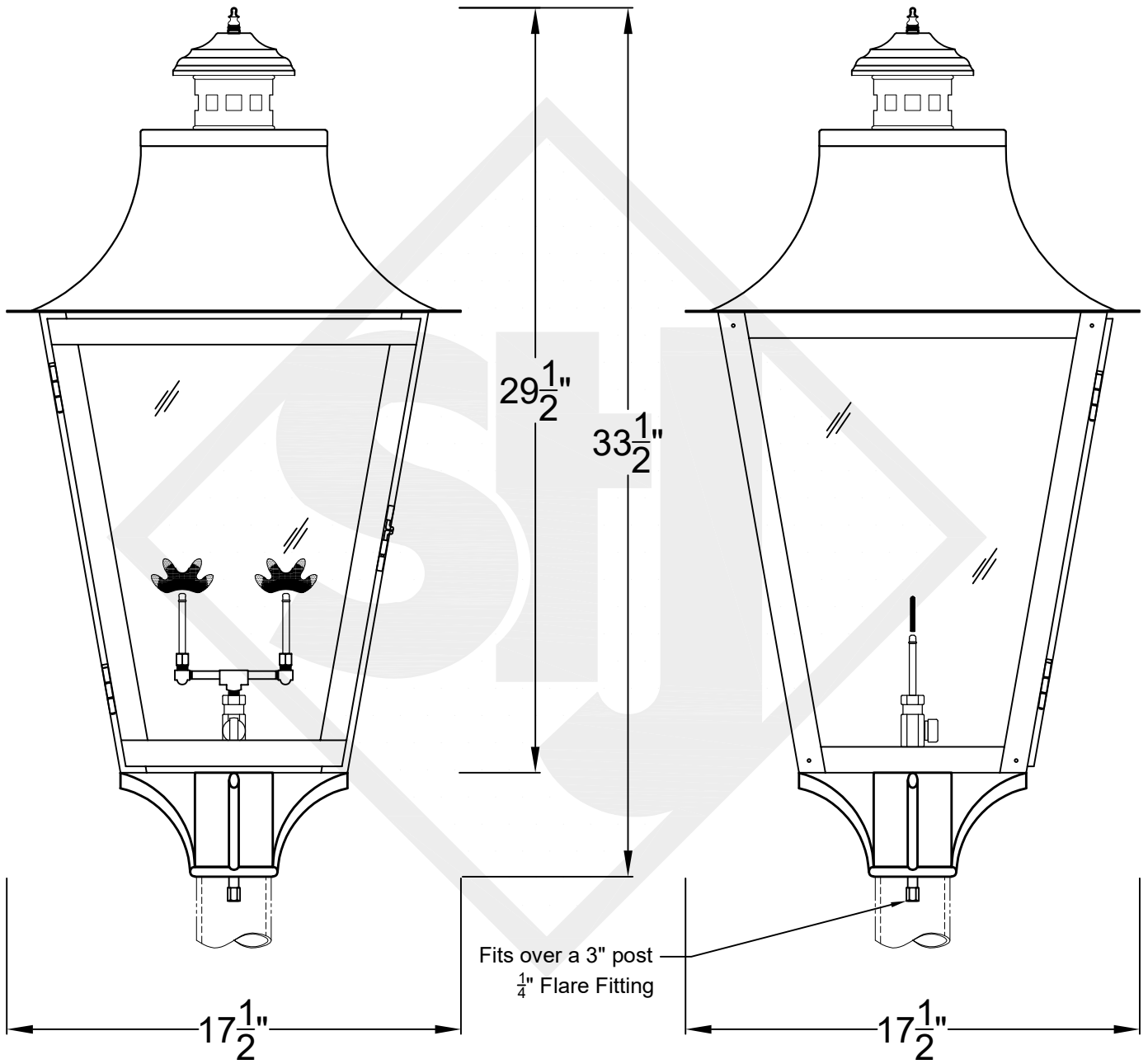
St. James  
LIGHTING

SCALE: N.T.S.	DRAFT: T. Herring
FILE: MONL	APP'D: J. Ragan
JOB: X	DATE: 3-23-2023

Lights are handcrafted.  
Dimensions may vary by 1/4"

B.T.U. Rating  
Natural Gas: 2730 B.T.U.  
Propane: 2080 B.T.U.

# MONTROSE GRANDE COPPER POST MOUNT



Front View

Side View



St. James  
LIGHTING

SCALE: N.T.S.	DRAFT: T. Herring
FILE: MONG	APP'D: J. Ragan
JOB: X	DATE: 8-18-2023

Lights are handcrafted.  
Dimensions may vary by 1/4"

B.T.U. Rating  
Natural Gas: 5460 B.T.U.  
Propane: 4160 B.T.U.