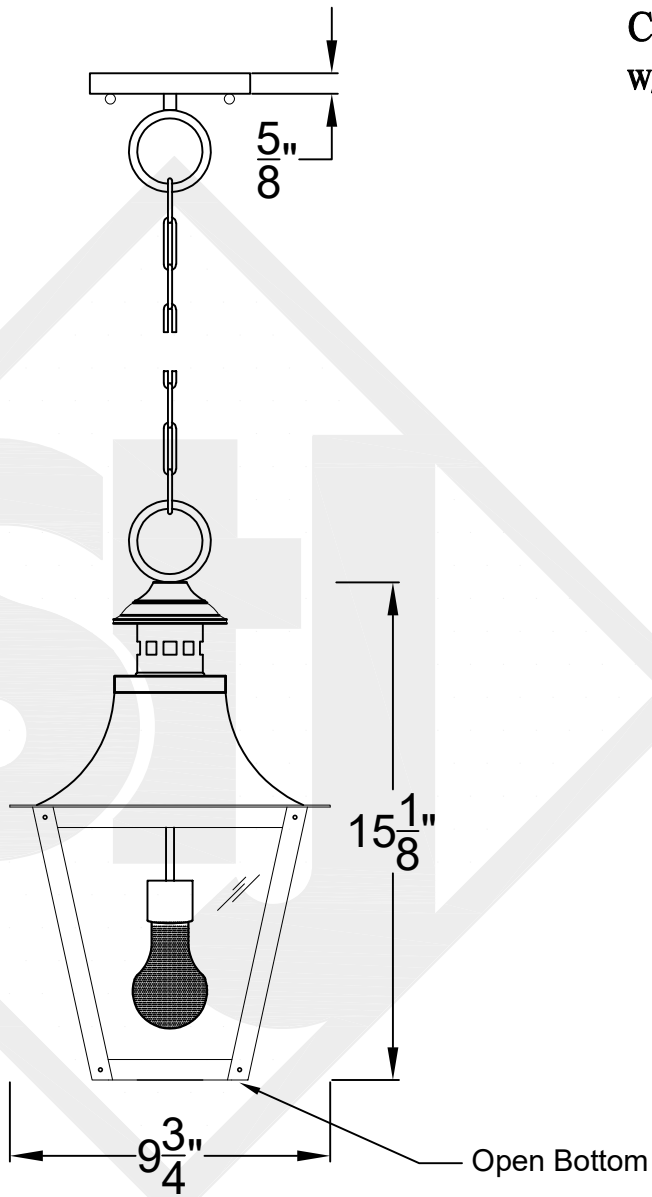
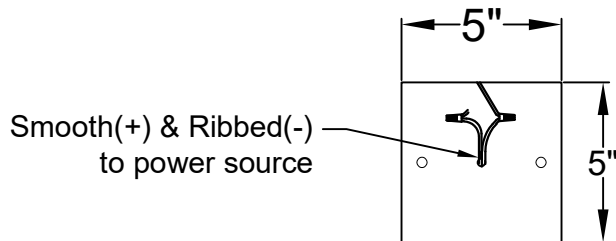


MONTROSE MINI CHAIN HUNG PENDANT

Comes standard
w/ 6' of chain



Front View



Ceiling Mount



St. James
LIGHTING

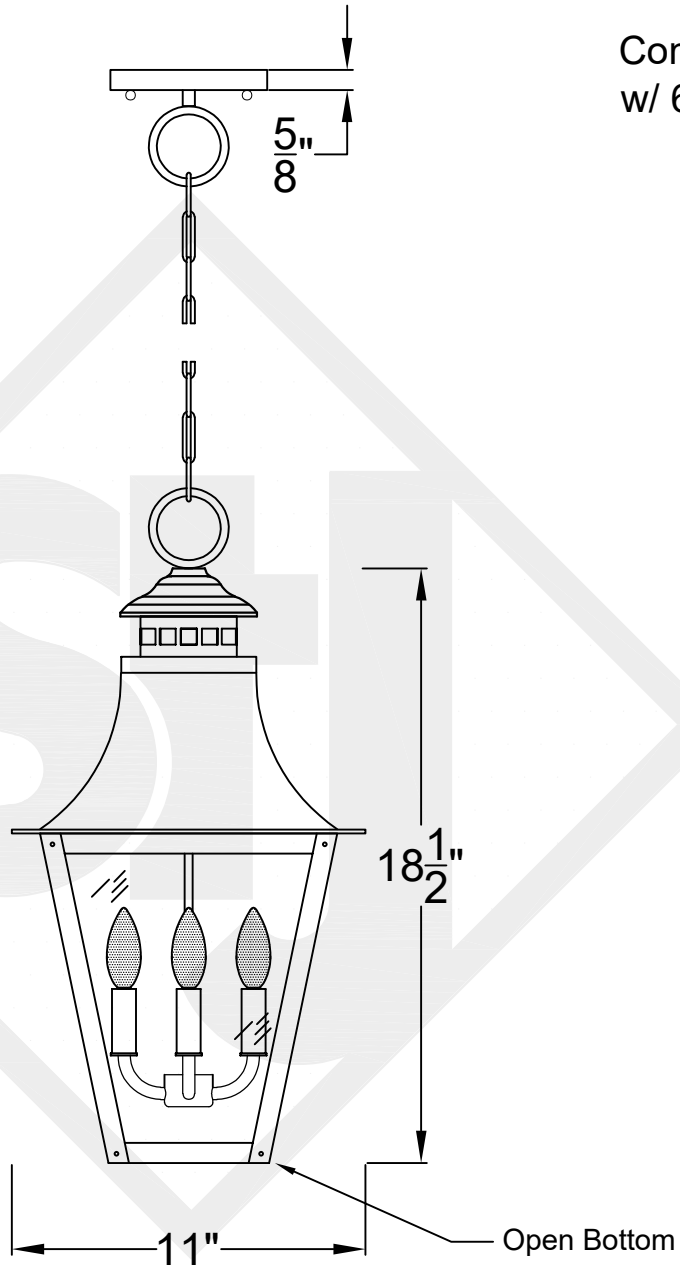
SCALE: N.T.S.	DRAFT: T. Herring
FILE: MONMINI	APP'D: J. Ragan
JOB: X	DATE: 8-18-2023

Lights are handcrafted.
Dimensions may vary by 1/4"

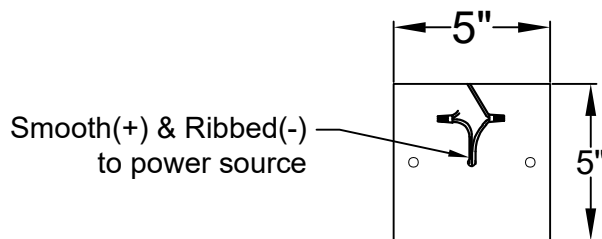
UL Certified
Candelabra- Max 60 Watt Bulb
Edison- Max 660 Watt Bulb

MONTROSE SMALL CHAIN HUNG PENDANT

Comes standard
w/ 6' of chain



Front View



Ceiling Mount



St. James
LIGHTING

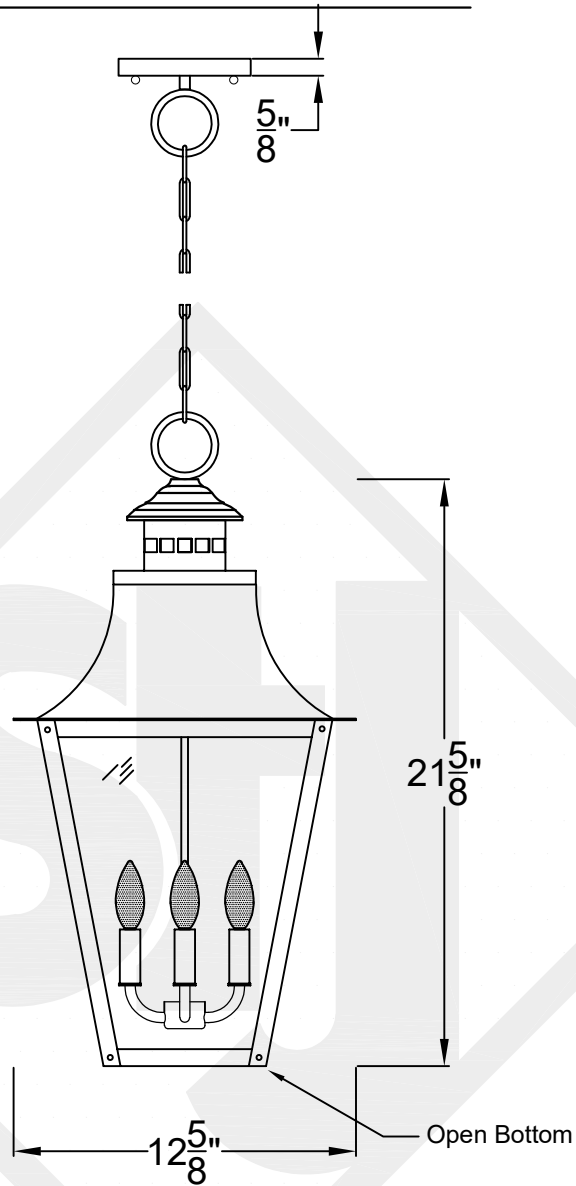
SCALE: N.T.S.	DRAFT: T. Herring
FILE: MONS	APP'D: J. Ragan
JOB: X	DATE: 8-7-2023

Lights are handcrafted.
Dimensions may vary by 1/4"

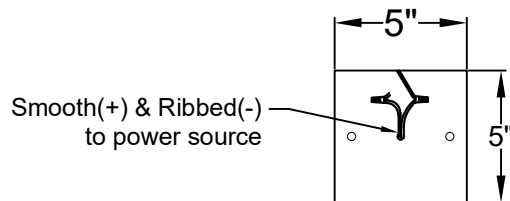
UL Certified
Candelabra- Max 60 Watt Bulb
Edison- Max 660 Watt Bulb

MONTROSE MEDIUM CHAIN HUNG PENDANT

Comes standard
w/ 6' of chain



Front View



Ceiling Mount



St. James
LIGHTING

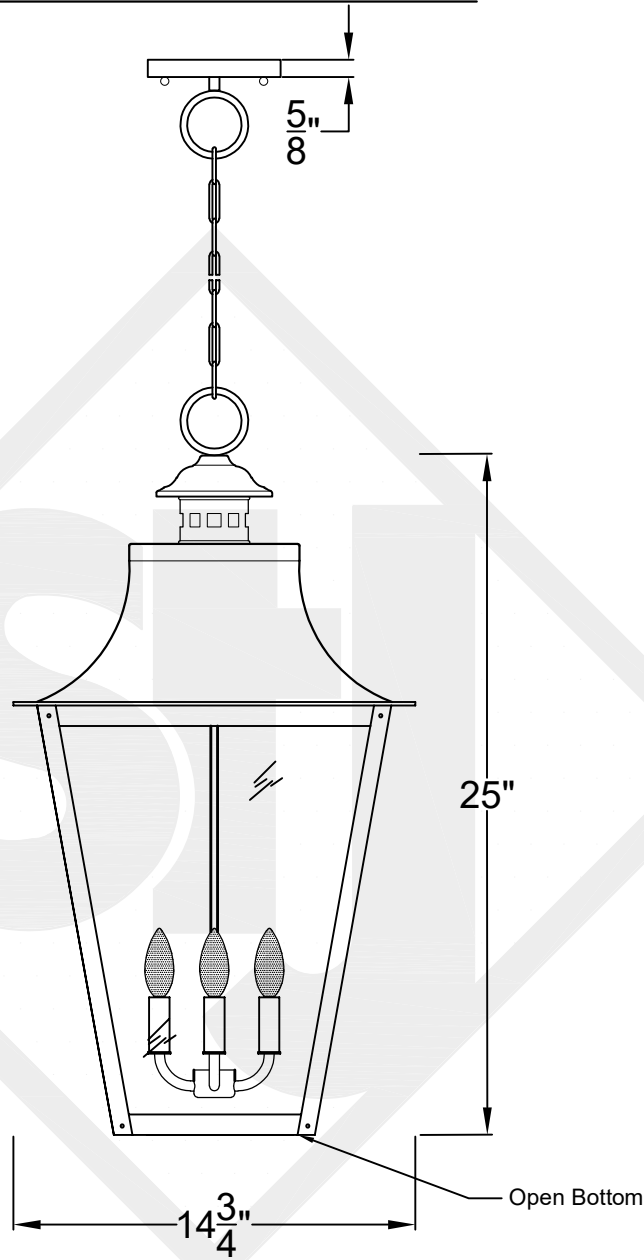
SCALE: N.T.S.	DRAFT: Y. McCullough
FILE: MONM	APP'D: J. Ragan
JOB: X	DATE: 11/20/23

Lights are handcrafted.
Dimensions may vary by 1/4"

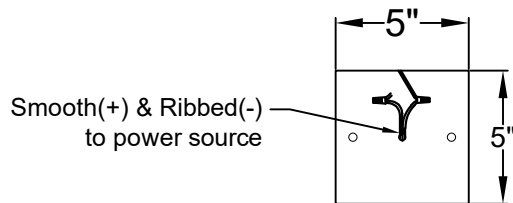
B.T.U. Rating
Natural Gas: 2730 B.T.U.
Propane: 2080 B.T.U.

MONTROSE LARGE CHAIN HUNG PENDANT

Comes standard
w/ 6' of chain



Front View



Ceiling Mount



St. James
LIGHTING

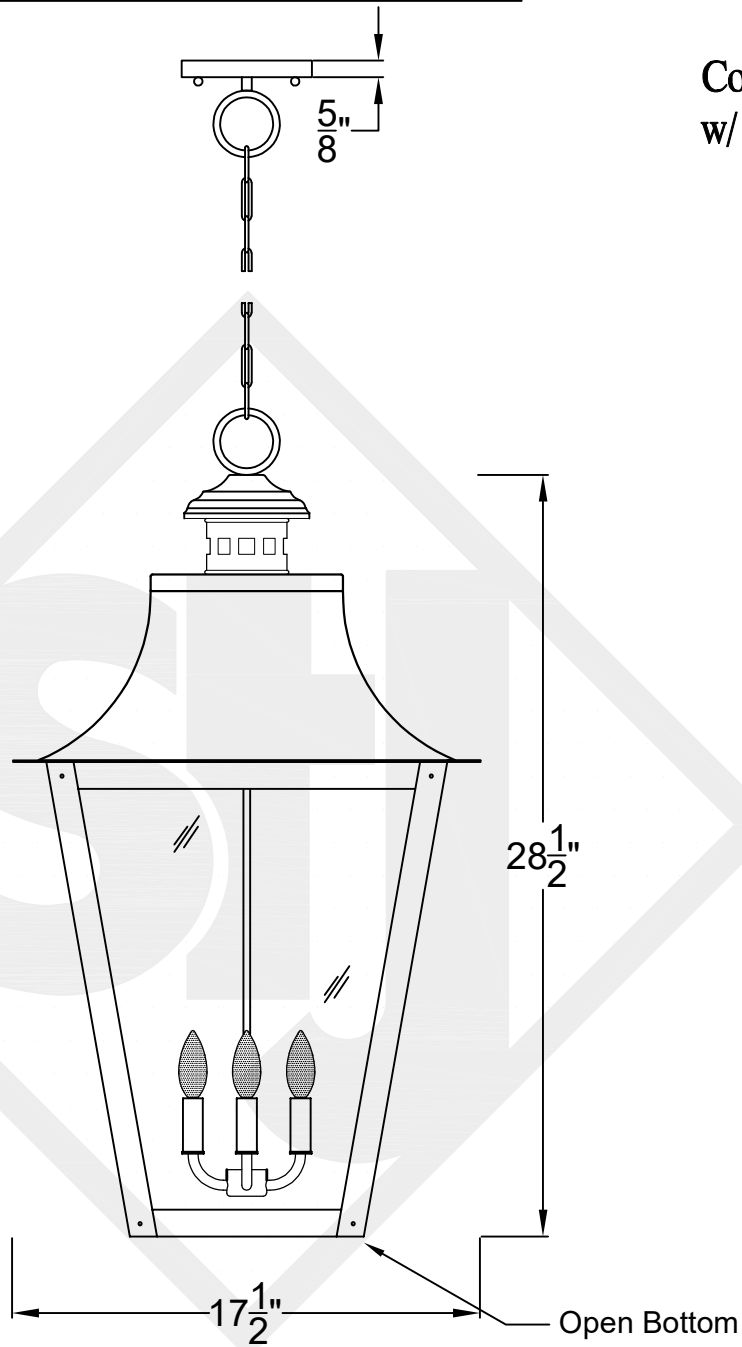
SCALE: N.T.S.	DRAFT: Y. McCullough
FILE: MONL	APP'D: J. Ragan
JOB: X	DATE: 11/20/23

Lights are handcrafted.
Dimensions may vary by 1/4"

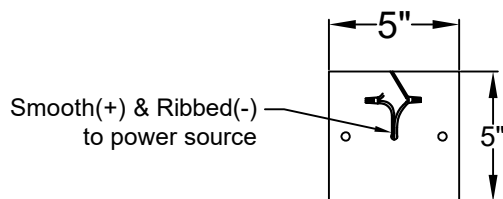
UL Certified
Candelabra- Max 60 Watt Bulb
Edison- Max 660 Watt Bulb

MONTROSE GRANDE CHAIN HUNG PENDANT

Comes standard
w/ 6' of chain



Front View



Ceiling Mount



St. James
LIGHTING

SCALE: N.T.S.	DRAFT: T. Herring
FILE: MONG	APP'D: J. Ragan
JOB: X	DATE: 8-18-2023

Lights are handcrafted.
Dimensions may vary by 1/4"

UL Certified
Candelabra- Max 60 Watt Bulb
Edison- Max 660 Watt Bulb