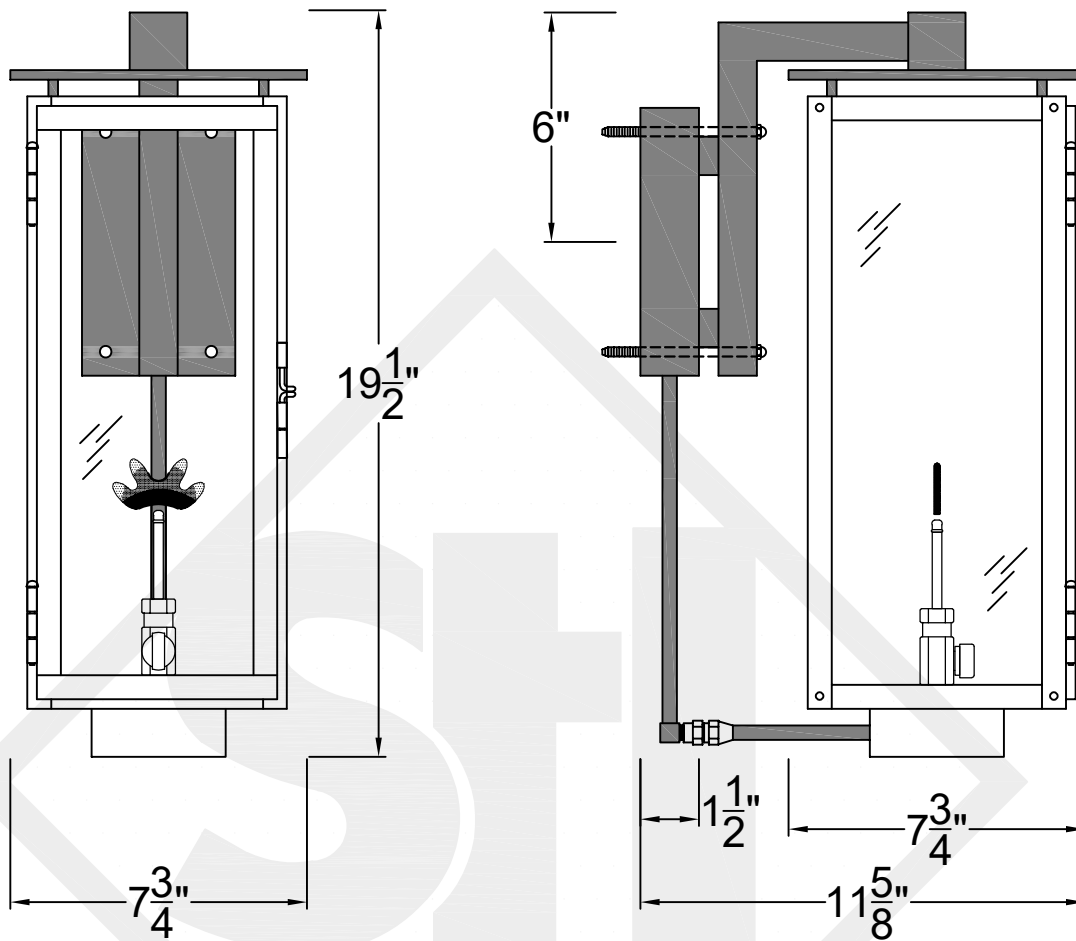
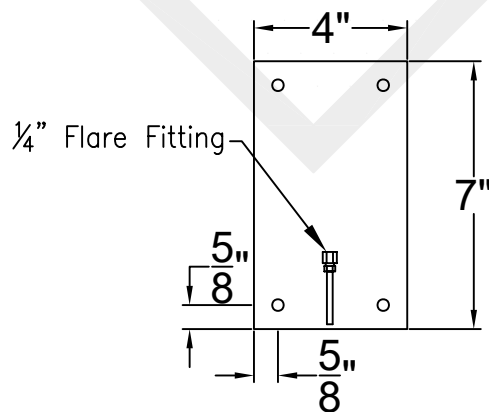


ASHLEY SMALL STEEL WALL MOUNT



Front View

Side View



Backplate



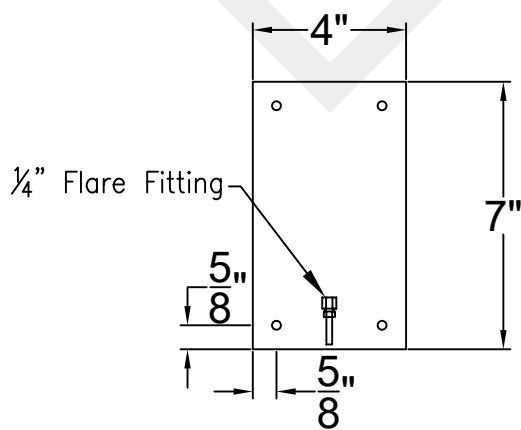
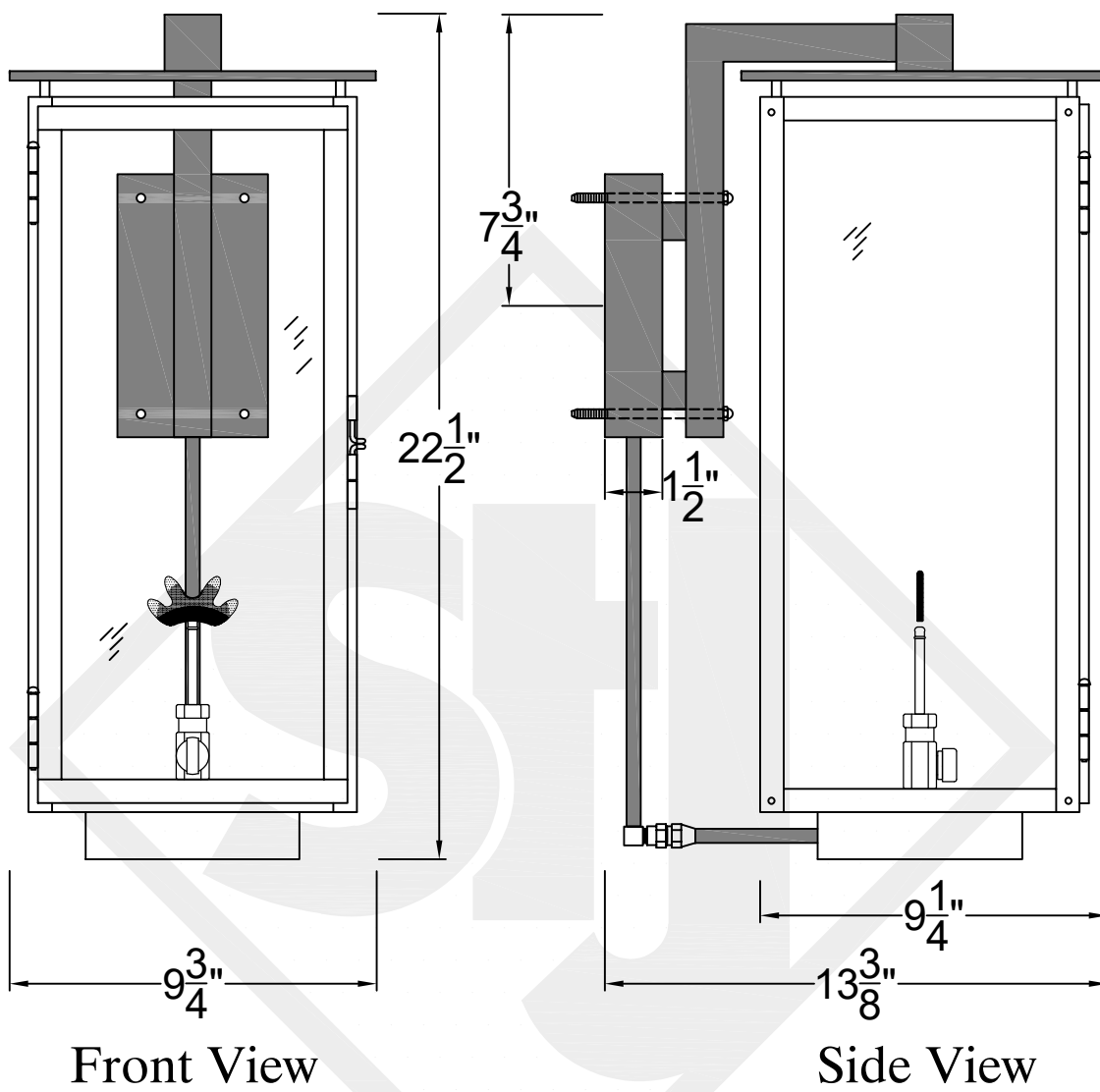
St. James
LIGHTING

SCALE: N.T.S.	DRAFT: Y. McCullough
FILE: ASHS	APP'D: J. Ragan
JOB: X	DATE: 11/13/23

Lights are handcrafted.
Dimensions may vary by 1/4"

B.T.U. Rating
Natural Gas: 2730 B.T.U.
Propane: 2080 B.T.U.

ASHLEY MEDIUM STEEL WALL MOUNT



Backplate



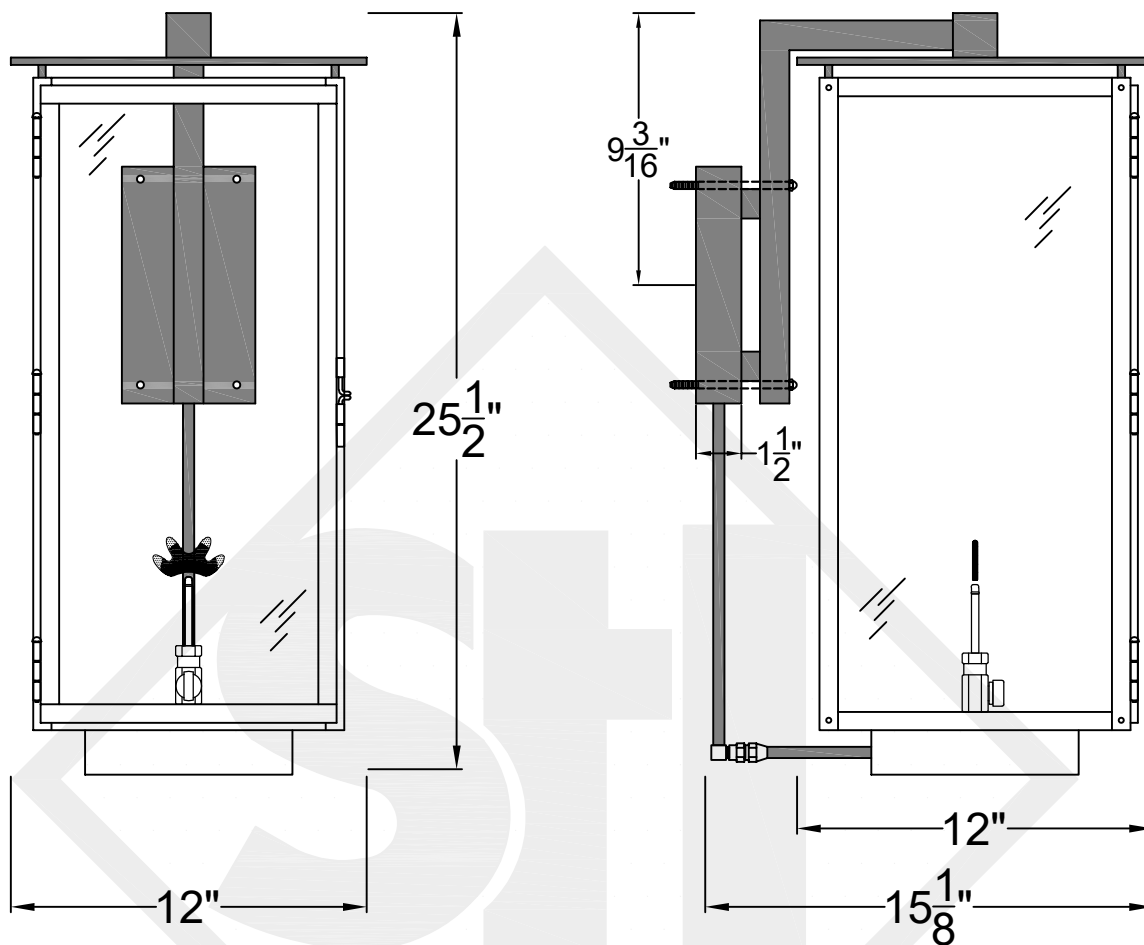
St. James
LIGHTING

SCALE: N.T.S.	DRAFT: Y. McCullough
FILE: ASHM	APP'D: J. Ragan
JOB: X	DATE: 11/13/23

Lights are handcrafted.
Dimensions may vary by 1/4"

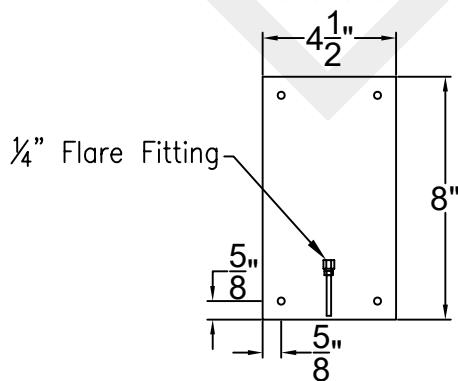
B.T.U. Rating
Natural Gas: 2730 B.T.U.
Propane: 2080 B.T.U.

ASHLEY LARGE STEEL WALL MOUNT



Front View

Side View



Backplate



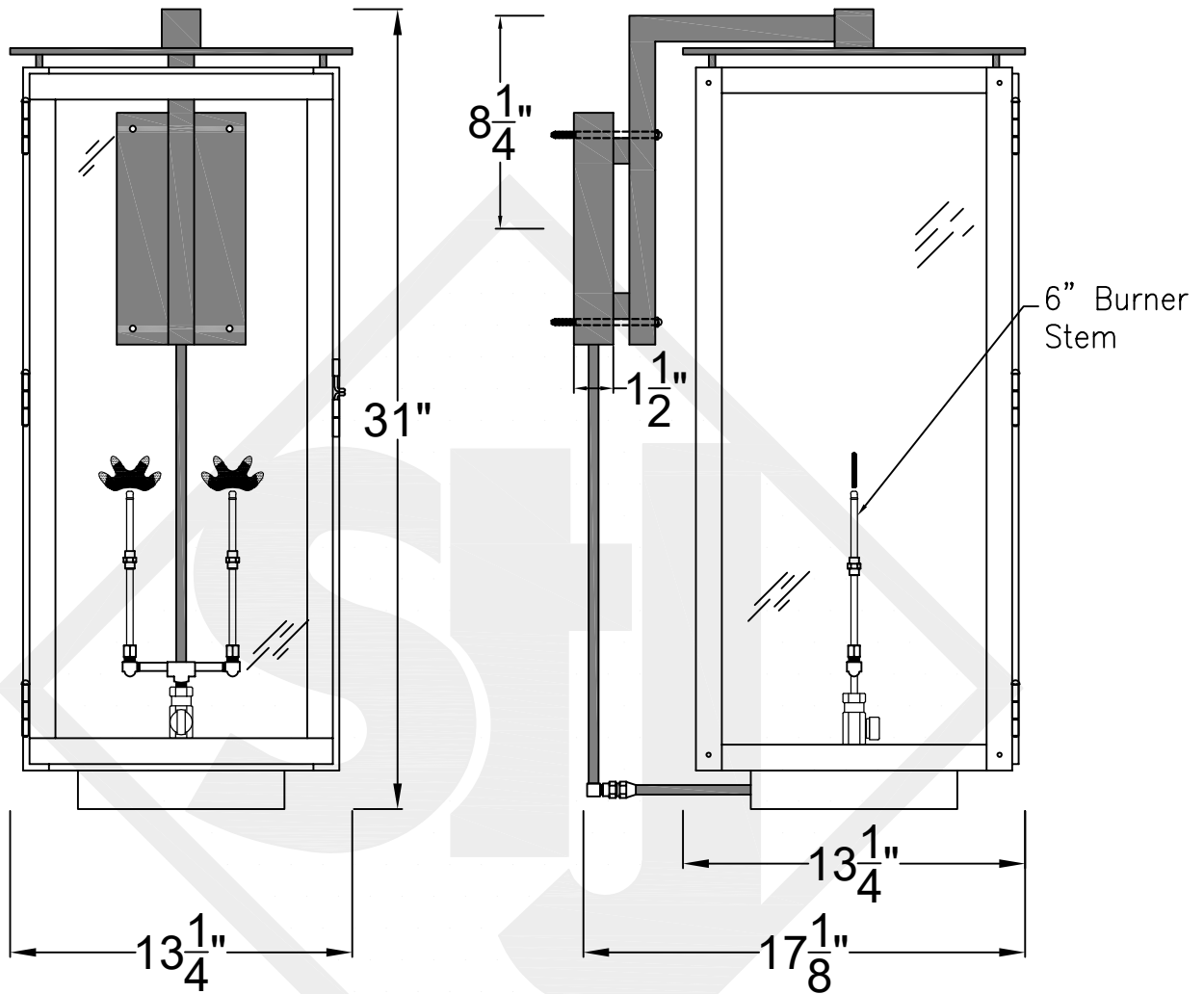
St. James
LIGHTING

SCALE: N.T.S.	DRAFT: Y. McCullough
FILE: ASHL	APP'D: J. Ragan
JOB: X	DATE: 11/13/23

Lights are handcrafted.
Dimensions may vary by 1/4"

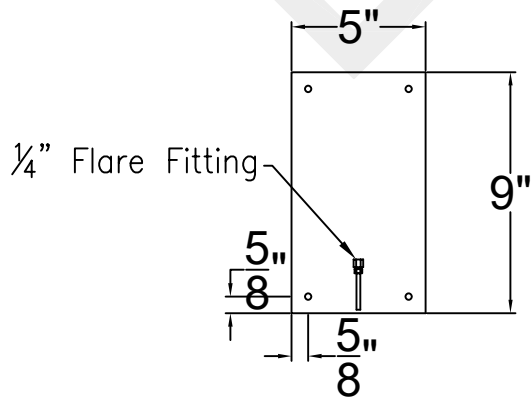
B.T.U. Rating
Natural Gas: 2730 B.T.U.
Propane: 2080 B.T.U.

ASHLEY GRANDE STEEL WALL MOUNT



Front View

Side View



Backplate



St. James
LIGHTING

SCALE: N.T.S.	DRAFT: Y. McCullough
FILE: ASHL	APP'D: J. Ragan
JOB: X	DATE: 11/13/23

Lights are handcrafted.
Dimensions may vary by 1/4"

B.T.U. Rating
Natural Gas: 5460 B.T.U.
Propane: 4160 B.T.U.