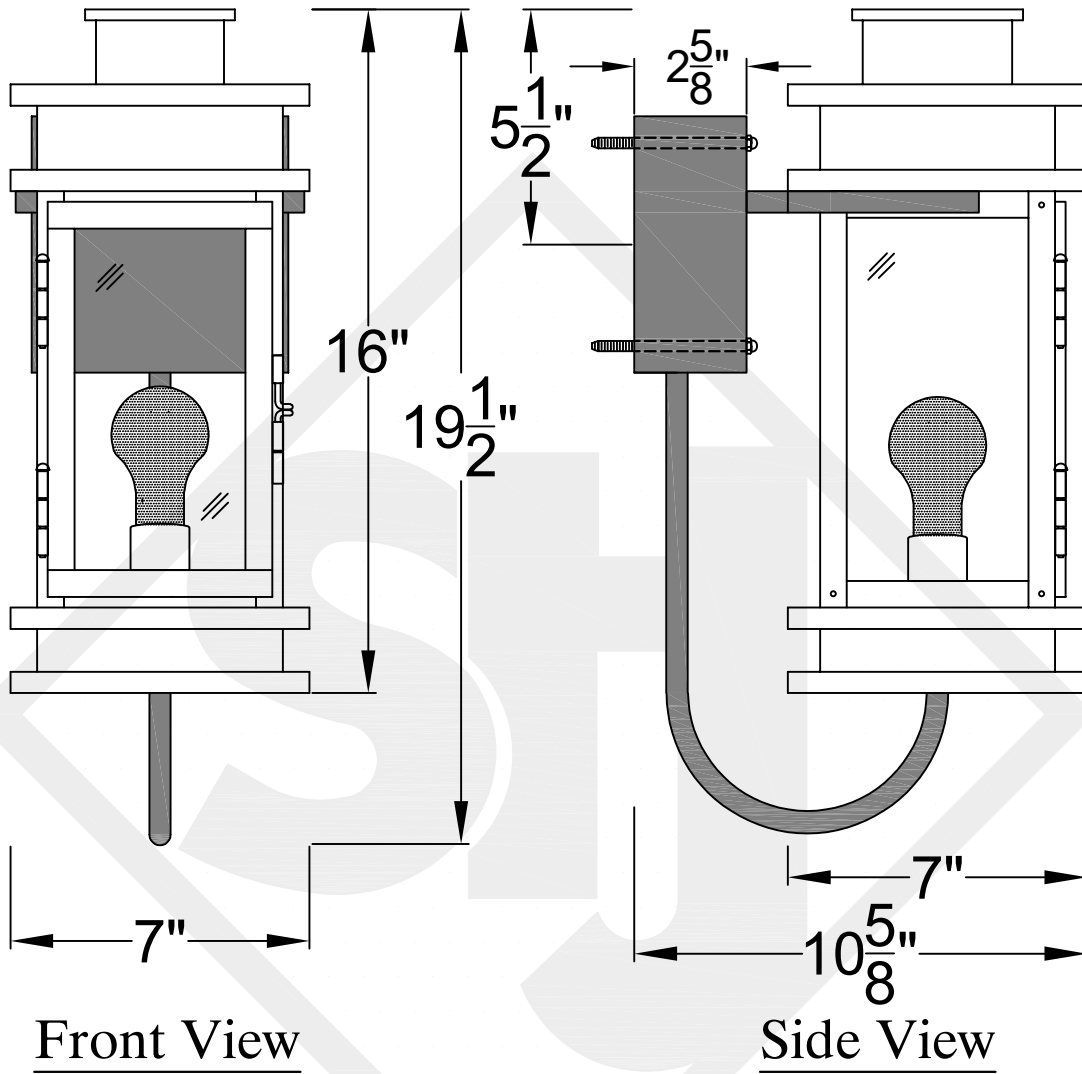
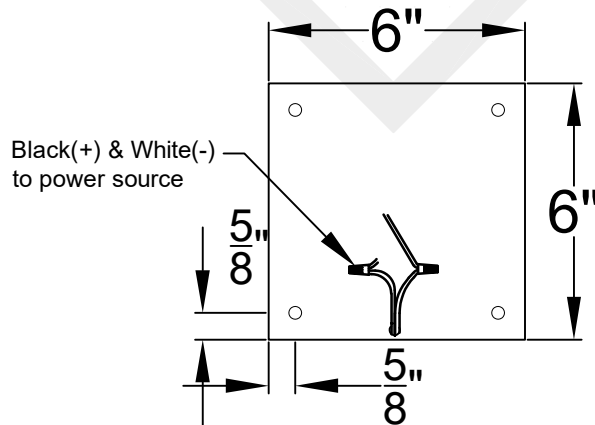


SOMERSET MINI STEEL WALL MOUNT



Front View

Side View



Backplate



St. James
LIGHTING

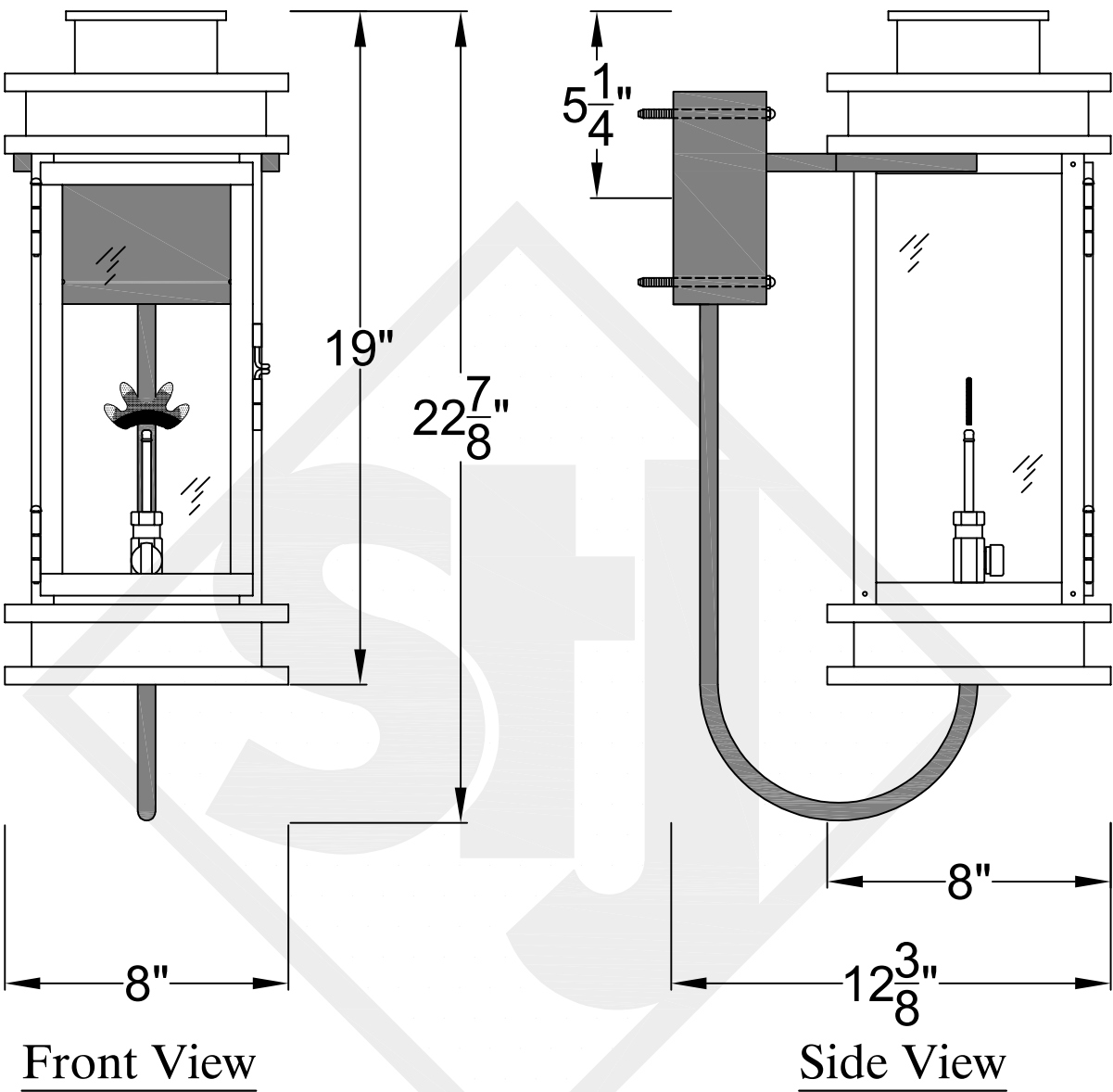
SCALE: N.T.S.	DRAFT: Y. McCullough
FILE: SOMMINI	APP'D: J. Ragan
JOB: X	DATE: 11/29/23


Lights are handcrafted.
Dimensions may vary by 1/4"

Mini not available in gas

UL Certified
Candelabra- Max 60 Watt Bulb
Edison- Max 660 Watt Bulb

SOMERSET SMALL STEEL WALL MOUNT

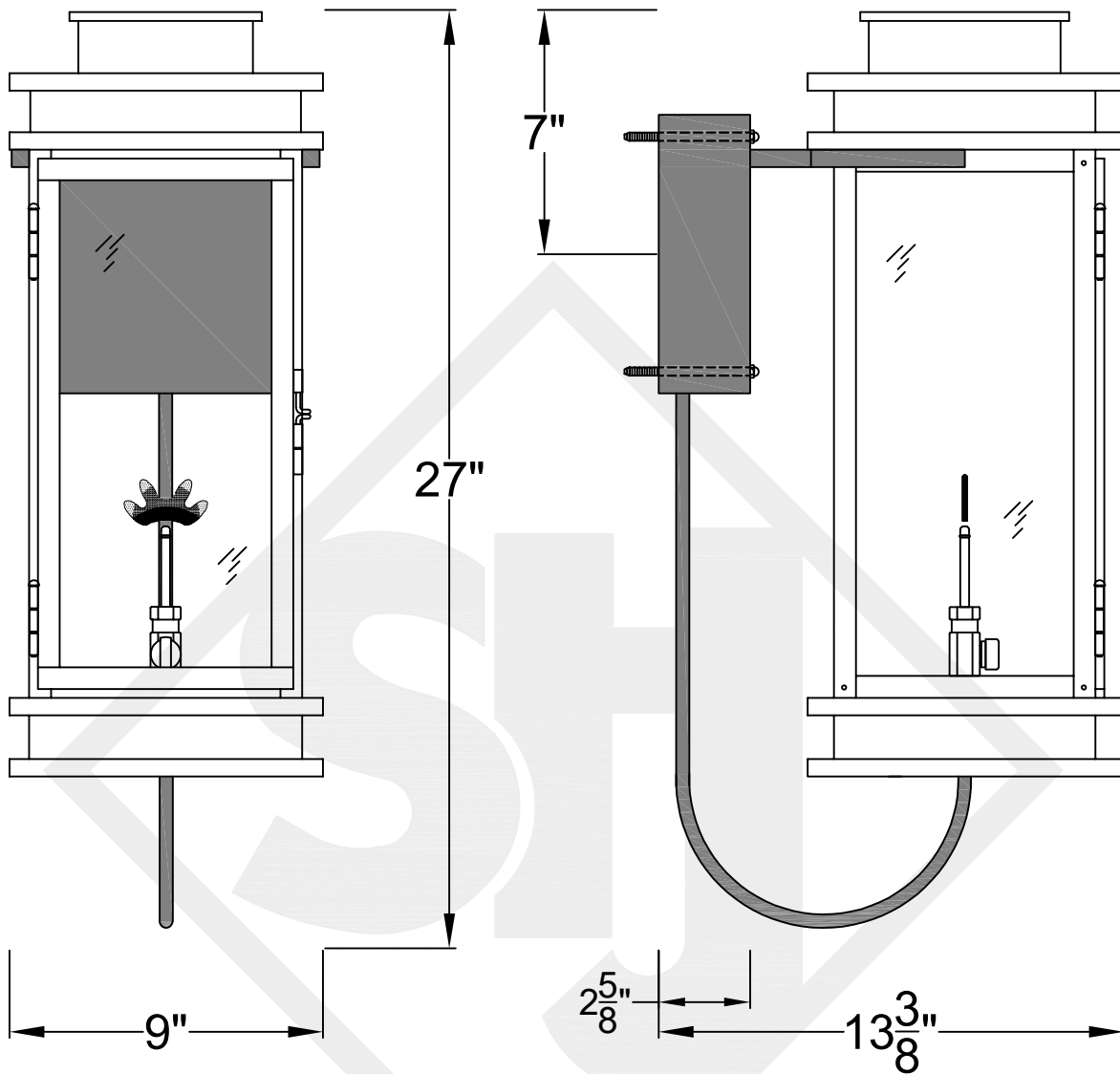


	St. James LIGHTING	
	SCALE: N.T.S.	DRAFT: Y. McCullough
	FILE: SOMS	APP'D: J. Ragan
	JOB: X	DATE: 11/29/23

Lights are handcrafted.
Dimensions may vary by 1/4"

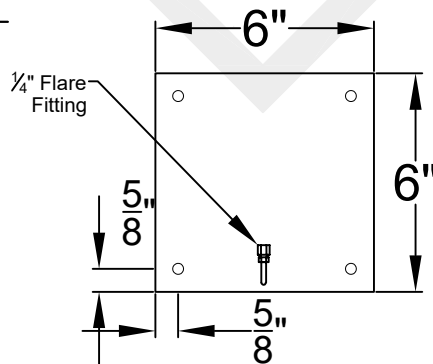
UL Certified
Candelabra- Max 60 Watt Bulb
Edison- Max 660 Watt Bulb

SOMERSET MEDIUM STEEL WALL MOUNT



Front View

Side View



Backplate



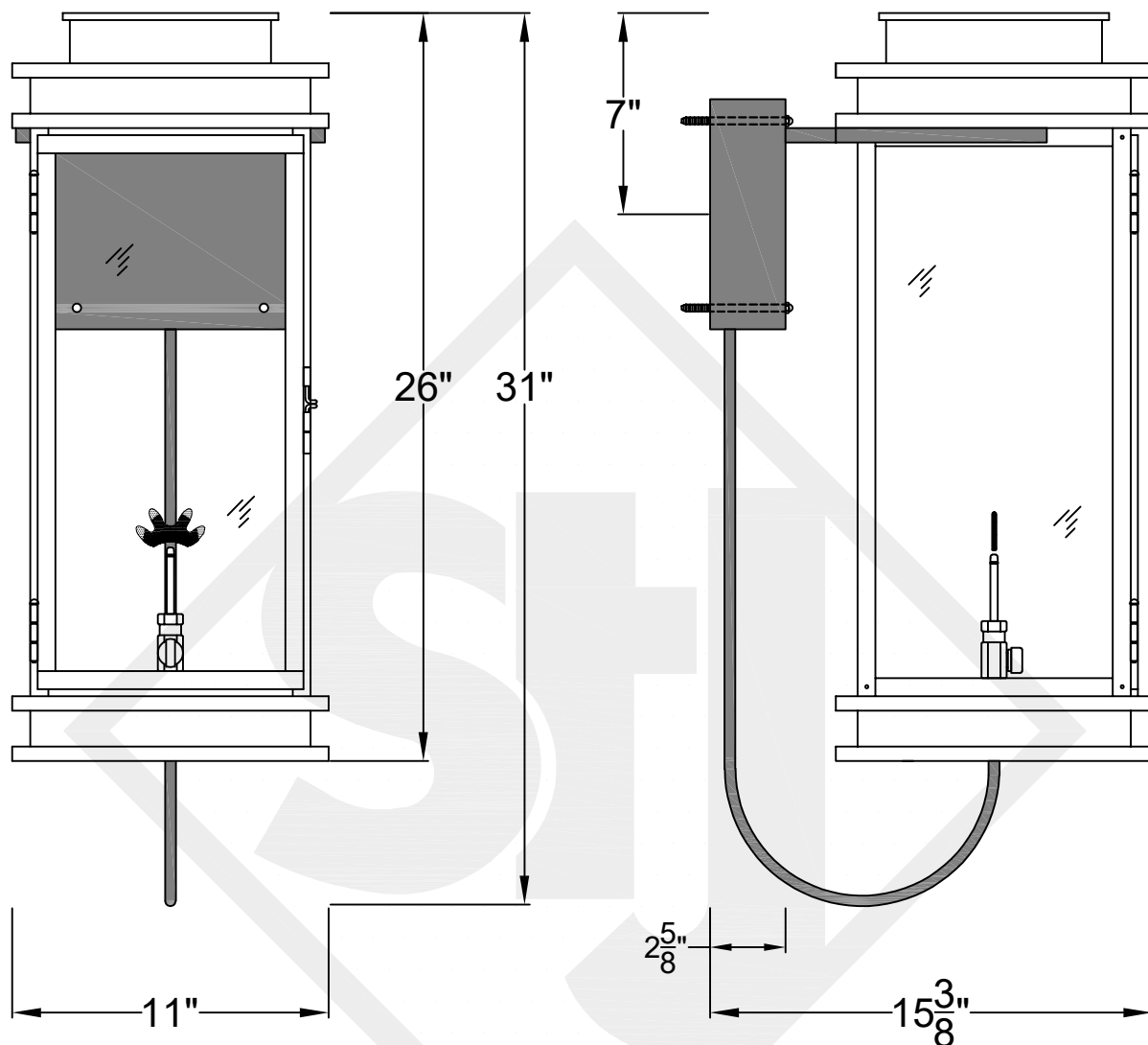
St. James
LIGHTING

SCALE: N.T.S.	DRAFT: Y. McCullough
FILE: SOMM	APP'D: J. Ragan
JOB: X	DATE: 11/29/23

Lights are handcrafted.
Dimensions may vary by 1/4"

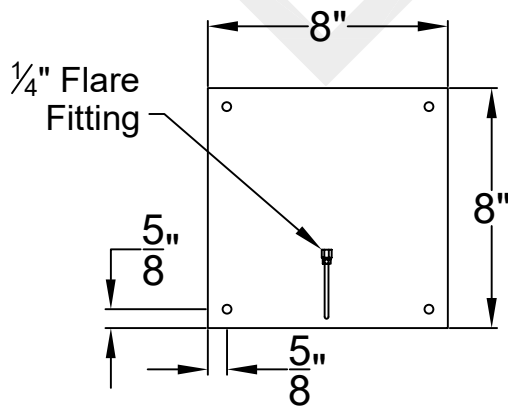
B.T.U. Rating
Natural Gas: 2730 B.T.U.
Propane: 2080 B.T.U.

SOMERSET LARGE STEEL WALL MOUNT



Front View

Side View



Backplate



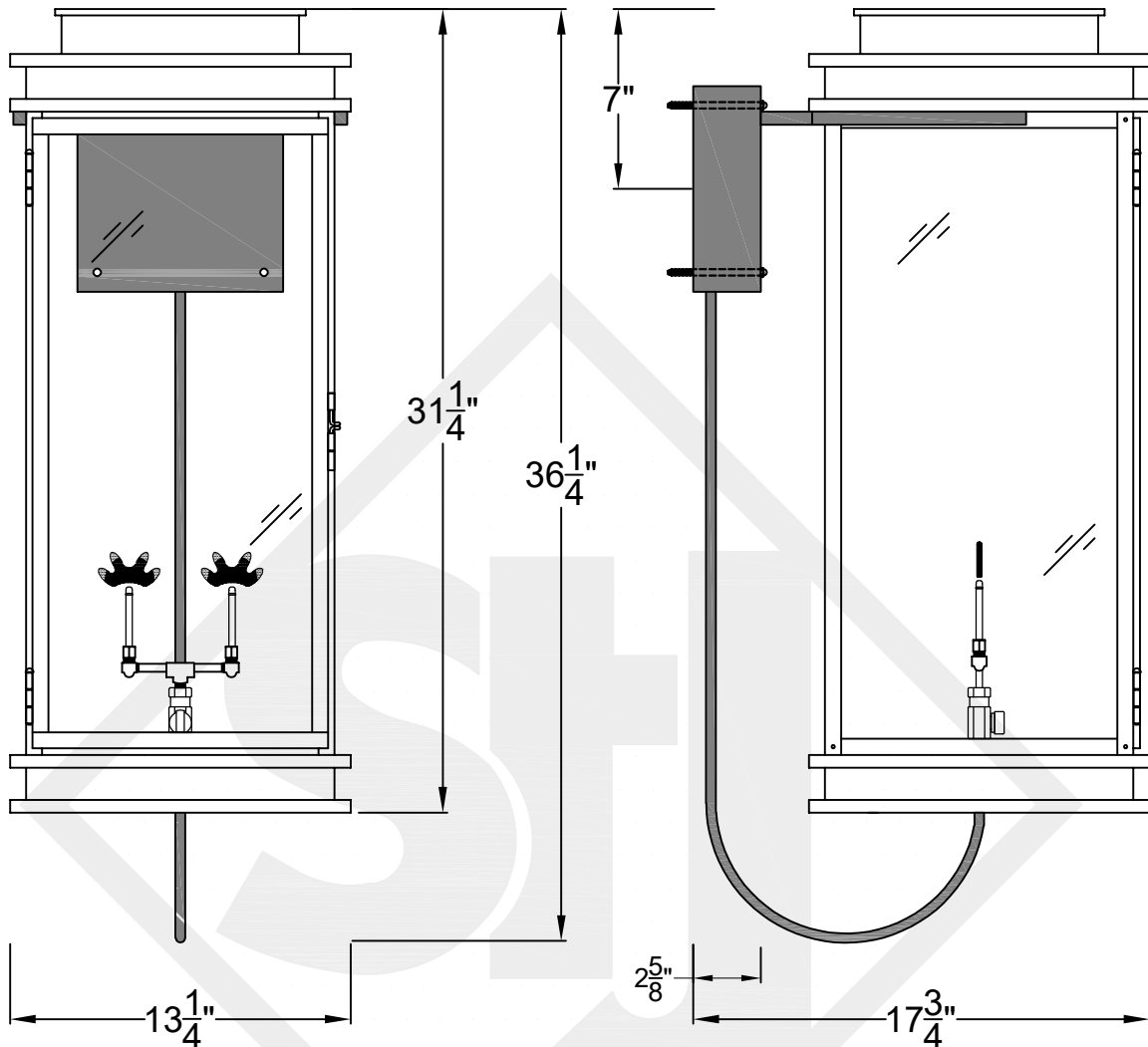
St. James
LIGHTING

SCALE: N.T.S.	DRAFT: Y. McCullough
FILE: SOML	APP'D: J. Ragan
JOB: X	DATE: 11/29/23

Lights are handcrafted.
Dimensions may vary by 1/4"

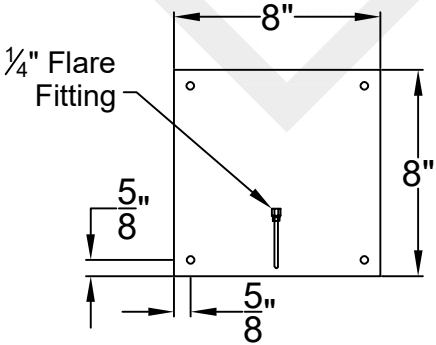
B.T.U. Rating
Natural Gas: 2730 B.T.U.
Propane: 2080 B.T.U.

SOMERSET GRANDE STEEL WALL MOUNT



Front View

Side View



Backplate



St. James
LIGHTING

SCALE: N.T.S.	DRAFT: Y. McCullough
FILE: SOMG	APP'D: J. Ragan
JOB: X	DATE: 11/29/23

Lights are handcrafted.
Dimensions may vary by 1/4"

B.T.U. Rating
Natural Gas: 5460 B.T.U.
Propane: 4160 B.T.U.