

TYPICAL INSTALLATION INSTRUCTIONS

WALL MOUNT YOKE – GAS

Applies to all Wall Mount Half/Full Yoke mounted lanterns
Sizes : Small, Medium, large & Grande

Light Supplied w/
 4– Acorn Nuts
 4–4" x 1/4" Hanger Bolt

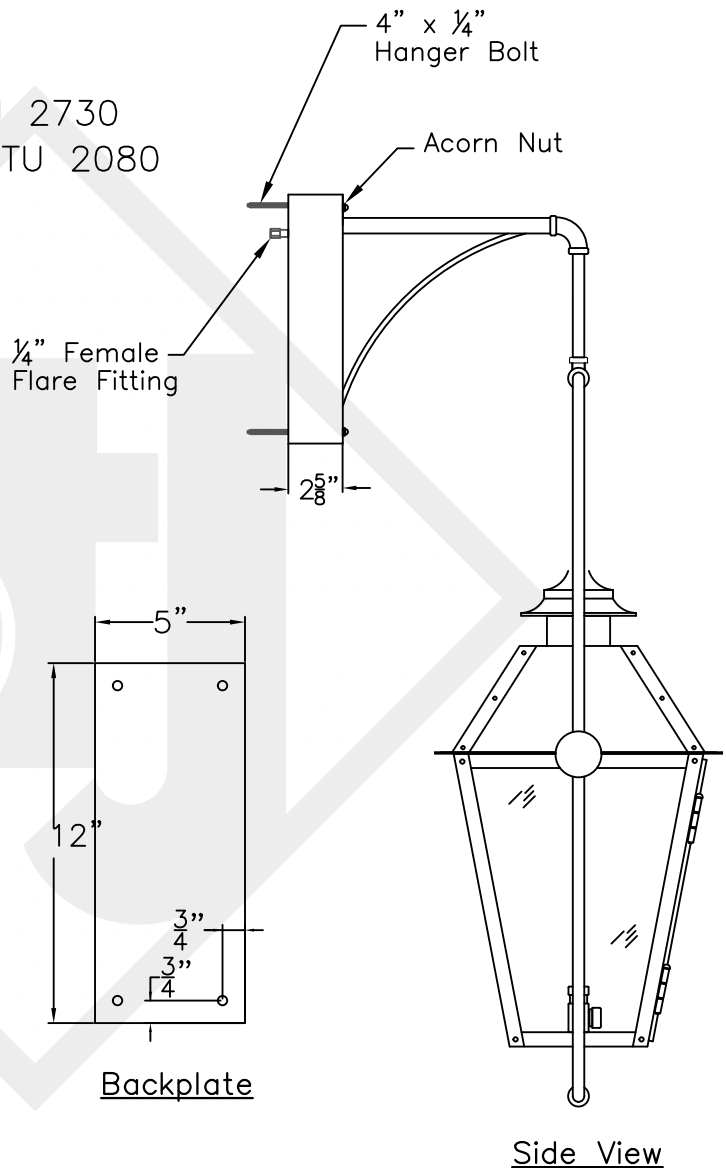
Natural Gas Requires 7" W.C. BTU 2730
 Propane Gas Requires 11" W.C. BTU 2080

Clearance:

–12" from vent
 to ceiling
 –6" from sides

Apply Caulking to
 both sides and top of
 Wall Box. DO NOT apply
 on bottom

Screw hanger bolts into
 the wall leaving enough to
 penetrate through the holes
 in the Mounting Bracket.
 Connet the gas line from
 the lantern to the main.
 Be sure to test the fittings
 for gas leaks before
 securing the lantern to the
 wall. Position light over the
 hanger bolts and attach
 the acorn nuts, tightening
 to securely mount light.



CAUTION: Risk of fire or electric shock

This product is to be installed by a qualified Plumber ONLY.
 Installation must conform with all local codes or, in the
 absence of local codes, UL 1598, Gas Code ANSI Z21.42 –
 2004, Gas Illuminating Appliance

Typical Install Wall Mount Yoke	
St. James LIGHTING	
SCALE: N.T.S.	DRAFT: B. Vial
FILE: INSTALL	APP'D: J. Ragon
JOB: X	DATE: 10/31/17