

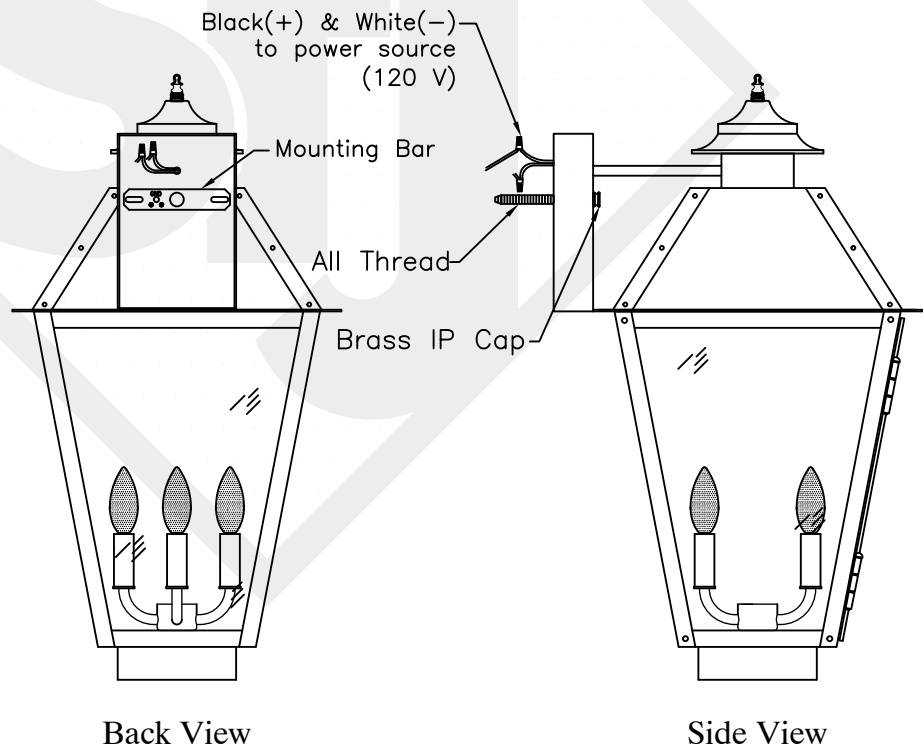
TYPICAL INSTALLATION INSTRUCTIONS

HIGH TOWER BRACKET-ELECTRIC

Applies to all High Tower Mounted lanterns
Sizes : Mini, Small, Medium, Large & Grande

Light Supplied w/
1-Mounting Bar
1-Brass IP Cap
1-2"x 1/8" IP All Thread Nipple


Attach the Mounting Bar that's provided to the junction box with screws. Screw All Thread Nipple into the Mounting Bar, leaving enough of the nipple to penetrate through the hole in the bracket. Connect wires to power source, Black to Black & White to White. Position light over the all thread nipple and attach cap, tightening to securely mount light.



Apply Caulking to
both sides and top of
Wall Box. DO NOT apply
on bottom

CAUTION: Risk of fire or electric shock

This product is to be installed by a qualified Electrician ONLY.
Installation must conform with all local codes or, in the absence of
local codes, to the standard for Incandescent Lighting Fixtures
ANSI/UL 1598

Typical Install High Tower Bracket	
 St. James LIGHTING	
SCALE: N.T.S.	DRAFT: B. Vial
FILE: INSTALL	APP'D: J. Ragan
JOB: X	DATE: 03/15/18