

# TYPICAL INSTALLATION INSTRUCTIONS CEILING FULL YOKE—AUTOMATIC IGNITION

Applies to all Ceiling Full Yoke mounted lanterns  
Sizes : Small, Medium, large & Grande

Light Supplied w/  
4—Acorn Nut  
4—5" X ¼" Hanger Bolt

Natural Gas Requires 7" W.C. BTU 2730  
Propane Gas Requires 11" W.C. BTU 2080

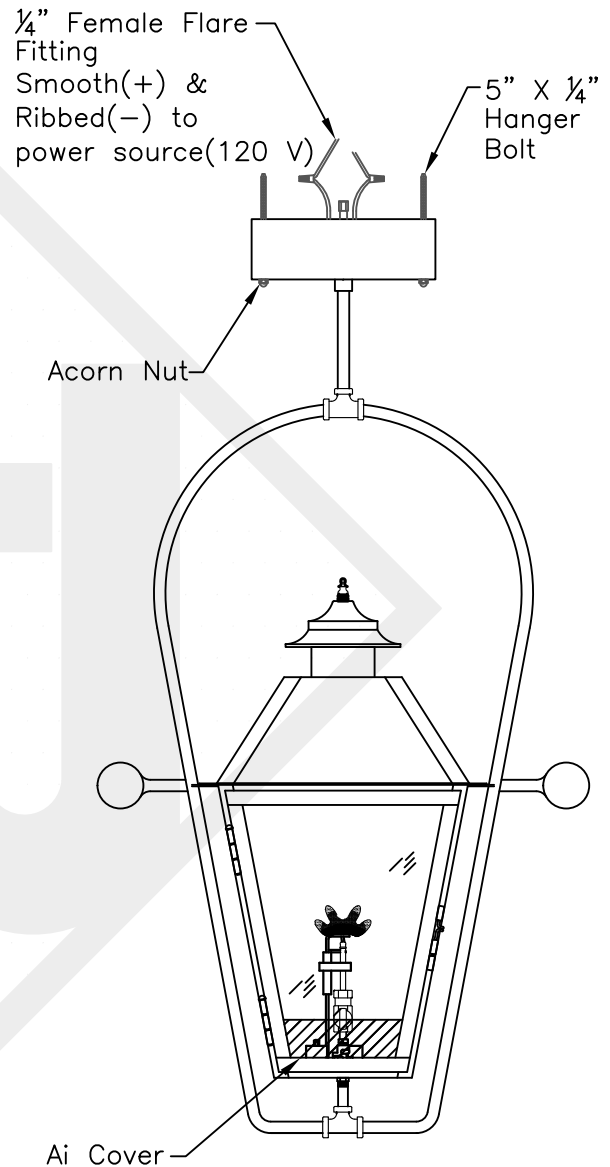
### Clearance:

—12" from vent  
to ceiling  
—6" from sides


Screw hanger bolts into the ceiling (Anchors may be needed for Brick/Stone application) leaving enough to penetrate through the holes in the Mounting Bracket.  
Connect the gas line from the lantern to the main.  
Make sure to test the fittings for gas leaks before securing the lantern to the ceiling.  
Connect Lamp Cord to power source, Smooth(+) to Black, Ribbed(–) to white. Position light over the hanger bolts and attach the acorn nuts, tightening to securely mount light.

CAUTION: Risk of fire or electric shock

This product is to be installed by a qualified Plumber ONLY.  
Installation must conform with all local codes or, in the absence of local codes, to UL, Gas Code ANSI Z21.42 – 2004, Gas Illuminating Appliance



Front View

Typical Install Ceiling Full Yoke	
 St. James LIGHTING	
SCALE: N.T.S.	DRAFT: B. Vial
FILE: INSTALL	APP'D: J. Ragan
JOB: X	DATE: 02/20/18