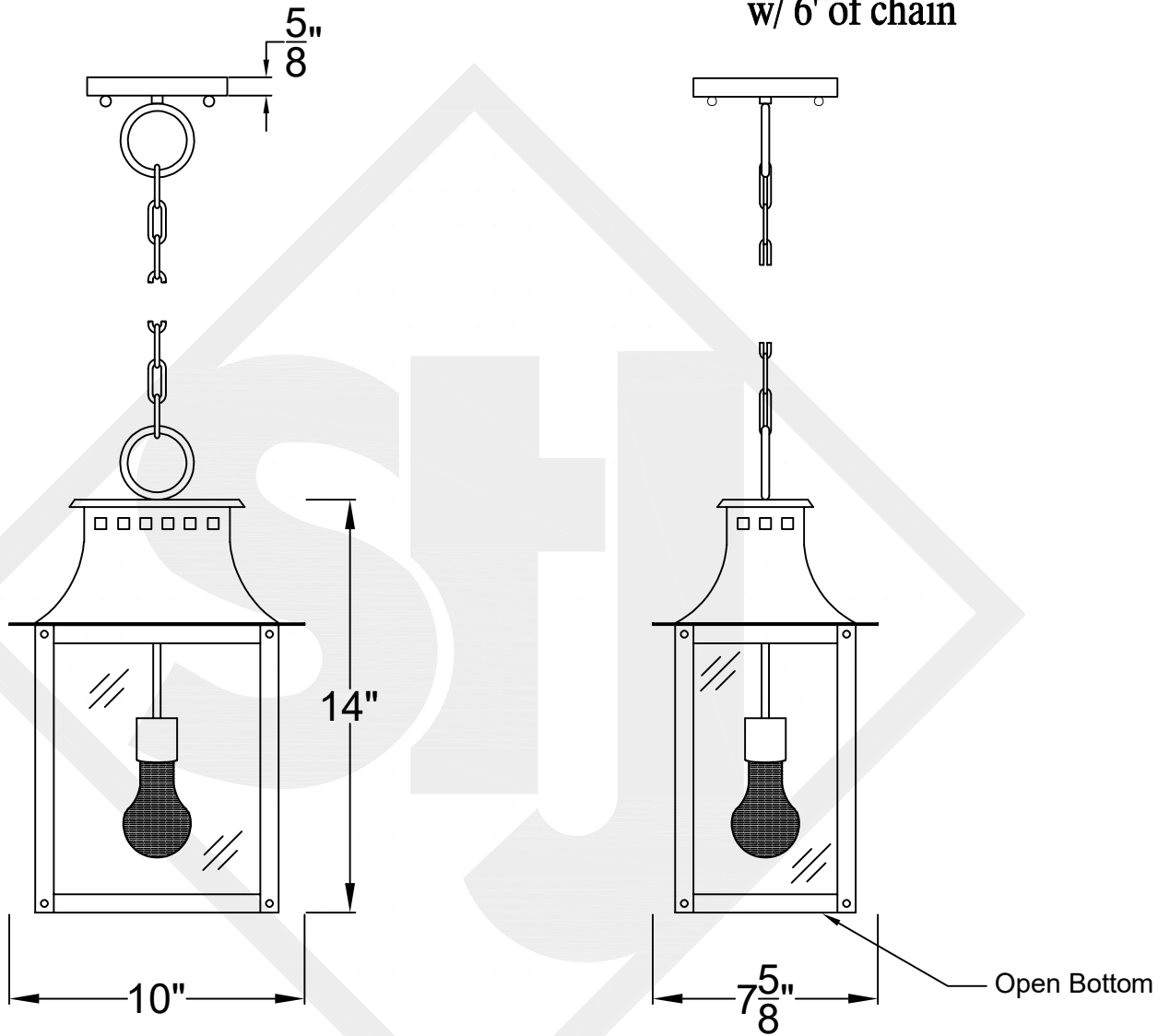


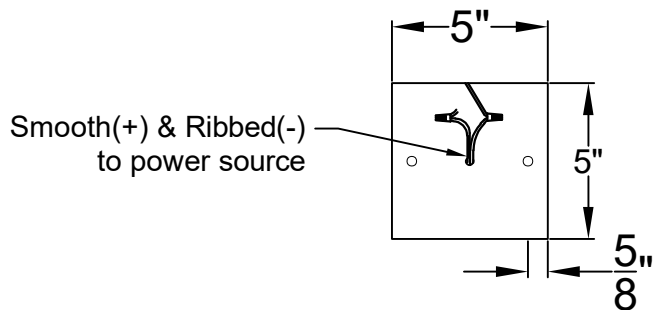
# ASPEN MINI CHAIN HUNG PENDANT

Comes standard  
w/ 6' of chain



Front View

Side View



Ceiling Mount



St. James  
LIGHTING

|               |                      |
|---------------|----------------------|
| SCALE: N.T.S. | DRAFT: Y. McCullough |
| FILE: ASPMINI | APP'D: J. Ragan      |
| JOB: X        | DATE: 11/11/23       |

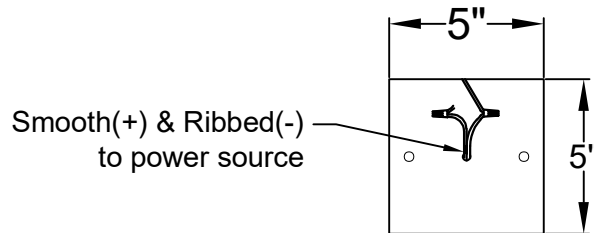
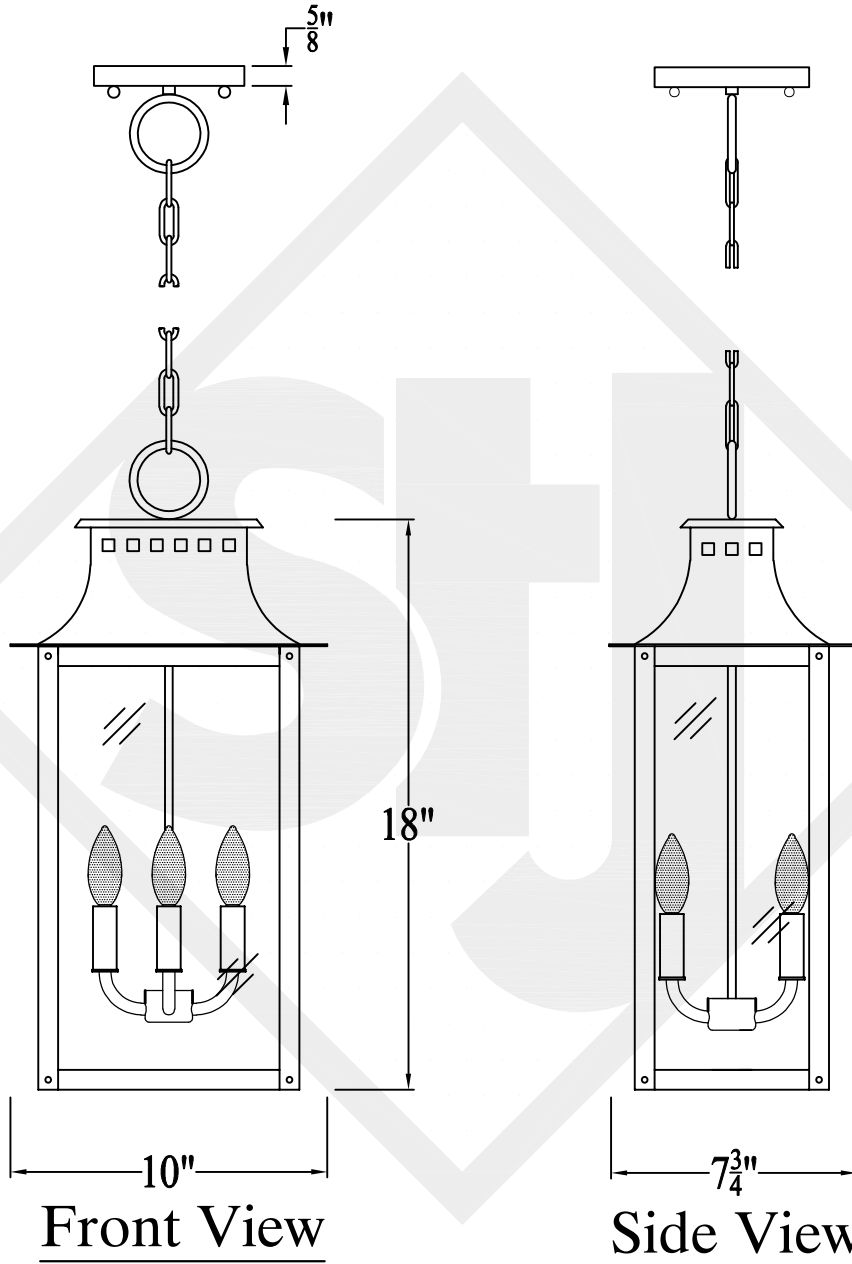
Lights are handcrafted.  
Dimensions may vary by 1/4"

Mini not available in gas

UL Certified  
Candelabra- Max 60 Watt Bulb  
Edison- Max 660 Watt Bulb

# ASPEN SMALL CHAIN HUNG PENDANT

Comes standard  
w/ 6' of chain



## Ceiling Mount



St. James  
LIGHTING

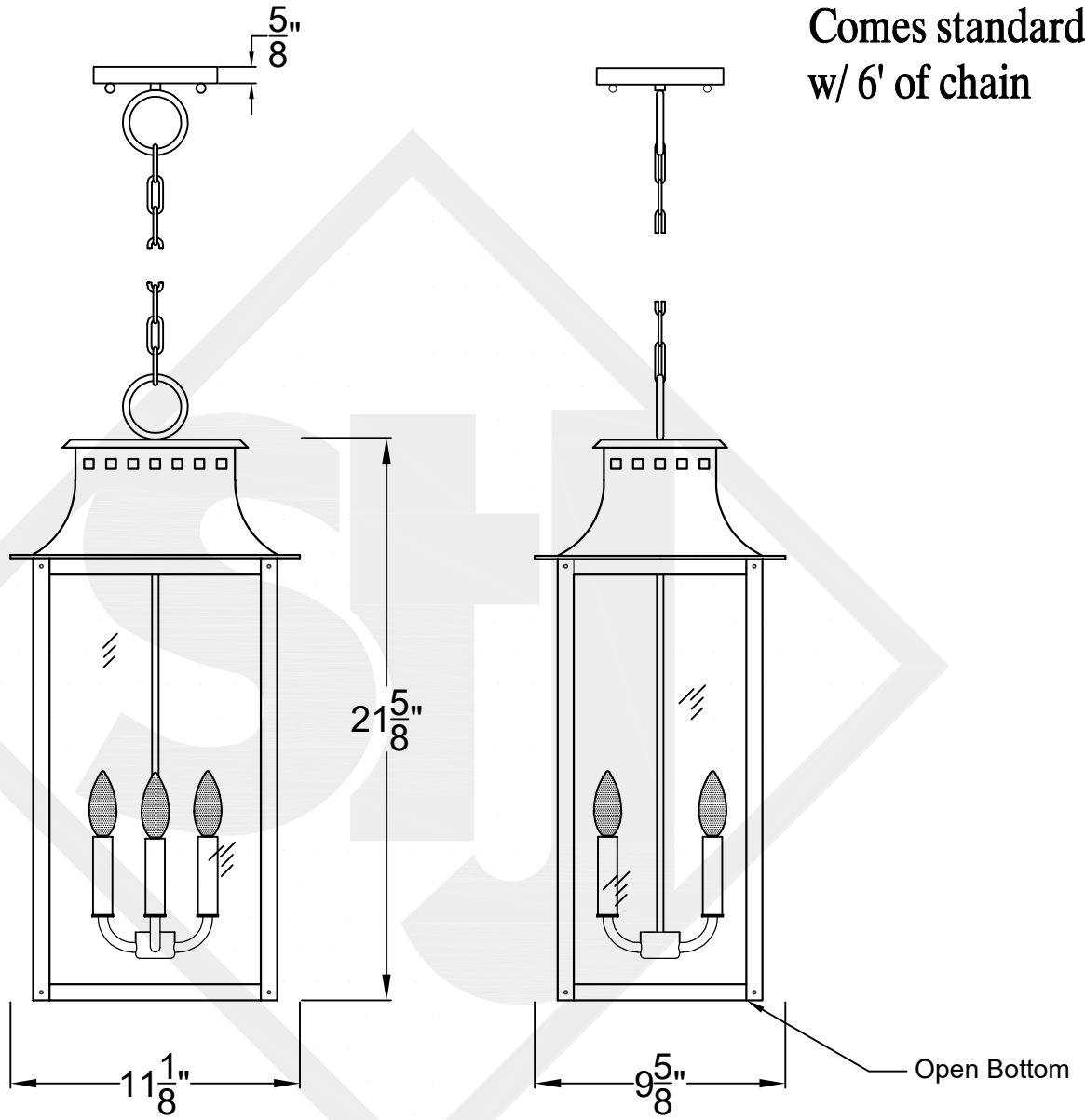
|               |                      |
|---------------|----------------------|
| SCALE: N.T.S. | DRAFT: Y. McCullough |
| FILE: ASPM    | APP'D: J. Ragan      |
| JOB: X        | DATE: 11/14/23       |

Lights are handcrafted.  
Dimensions may vary by 1/4"

UL Certified  
Candelabra- Max 60 Watt Bulb  
Edison- Max 660 Watt Bulb

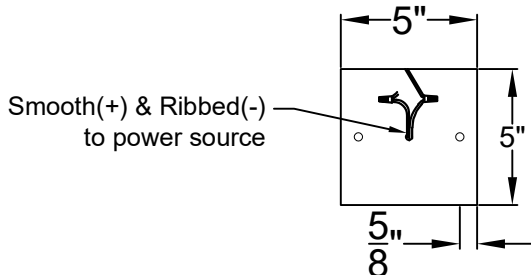
# ASPEN MEDIUM CHAIN HUNG PENDANT

Comes standard  
w/ 6' of chain




Front View

Side View



## Ceiling Mount

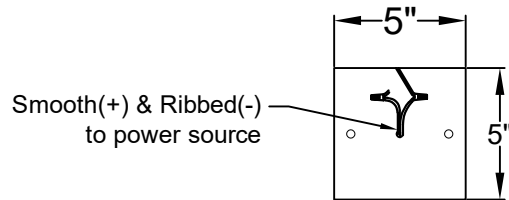
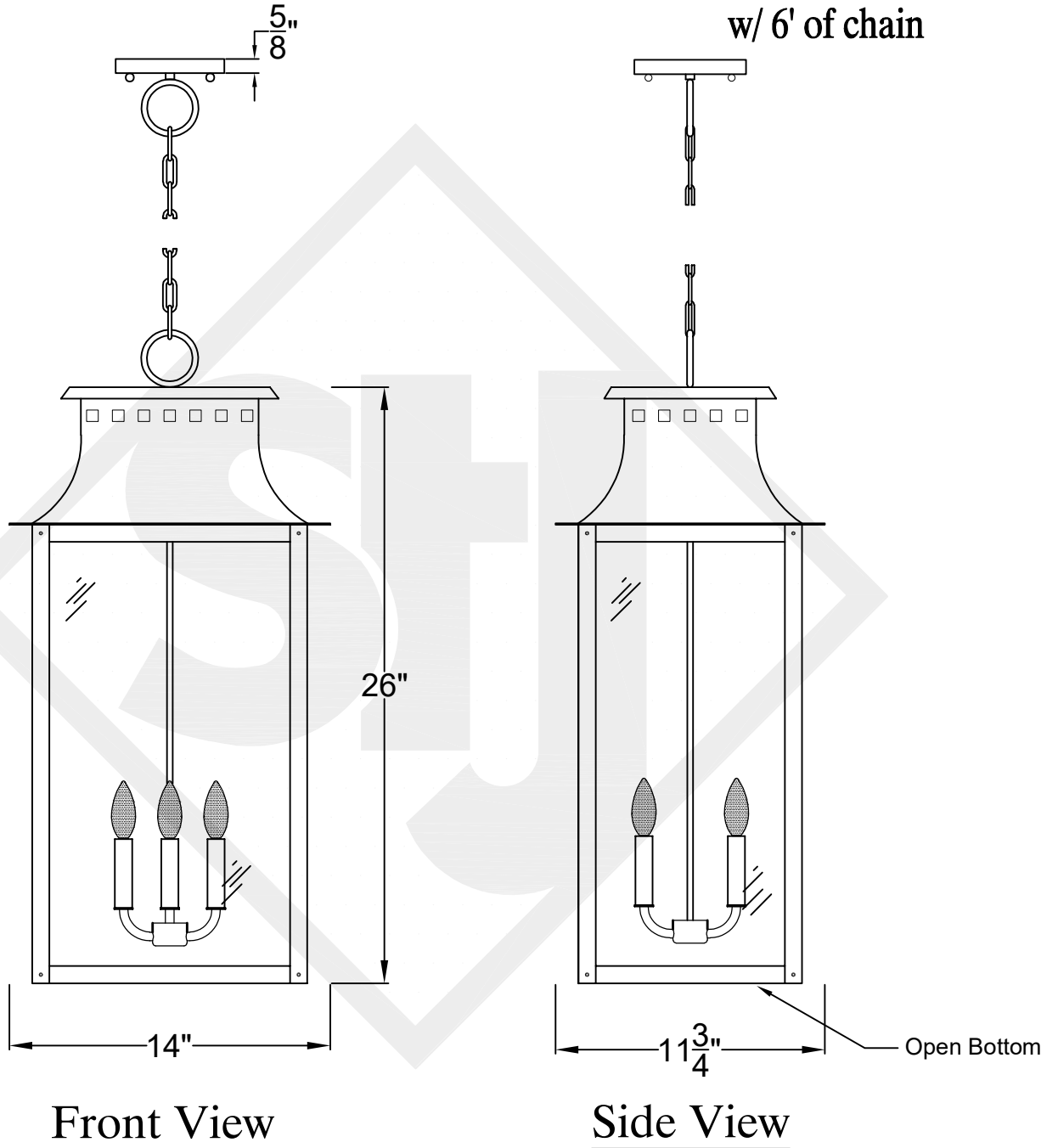
|   |                      |
|---|----------------------|
|  <b>St. James<br/>LIGHTING</b> |                      |
| SCALE: N.T.S.   | DRAFT: Y. McCullough |
| FILE: ASPM  | APP'D: J. Ragan      |
| JOB: X  | DATE: 11/13/23       |

Lights are handcrafted.  
Dimensions may vary by 1/4"

UL Certified  
Candelabra- Max 60 Watt Bulb  
Edison- Max 660 Watt Bulb

# ASPEN LARGE CHAIN HUNG PENDANT

Comes standard  
w/ 6' of chain



Front View

Side View

## Ceiling Mount



St. James  
LIGHTING

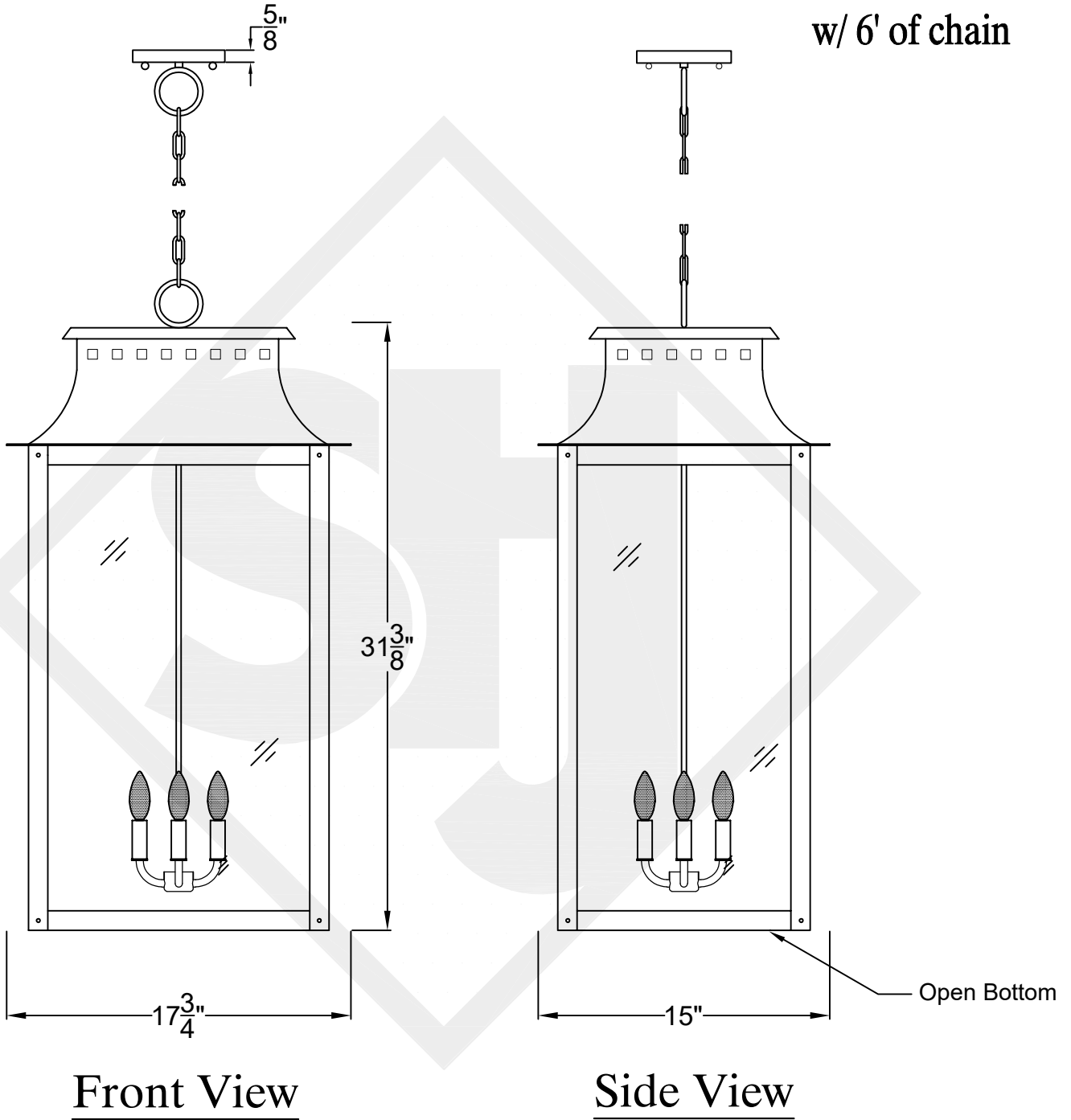
|               |                   |
|---------------|-------------------|
| SCALE: N.T.S. | DRAFT: T. Herring |
| FILE: ASPL    | APP'D: J. Ragan   |
| JOB: X        | DATE: 4-10-2023   |

Lights are handcrafted.  
Dimensions may vary by 1/4"

UL Certified  
Candelabra- Max 60 Watt Bulb  
Edison- Max 660 Watt Bulb

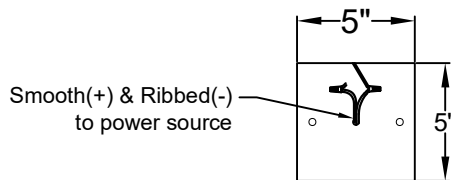
# ASPEN GRANDE CHAIN HUNG PENDANT

Comes standard  
w/ 6' of chain



Front View

Side View



## Ceiling Mount



St. James  
LIGHTING

SCALE: N.T.S.      DRAFT: T. Herring  
FILE: ASPG        APP'D: J. Ragan  
JOB: X              DATE: 4-10-2023

Lights are handcrafted.  
Dimensions may vary by 1/4"

UL Certified  
Candelabra- Max 60 Watt Bulb  
Edison- Max 660 Watt Bulb