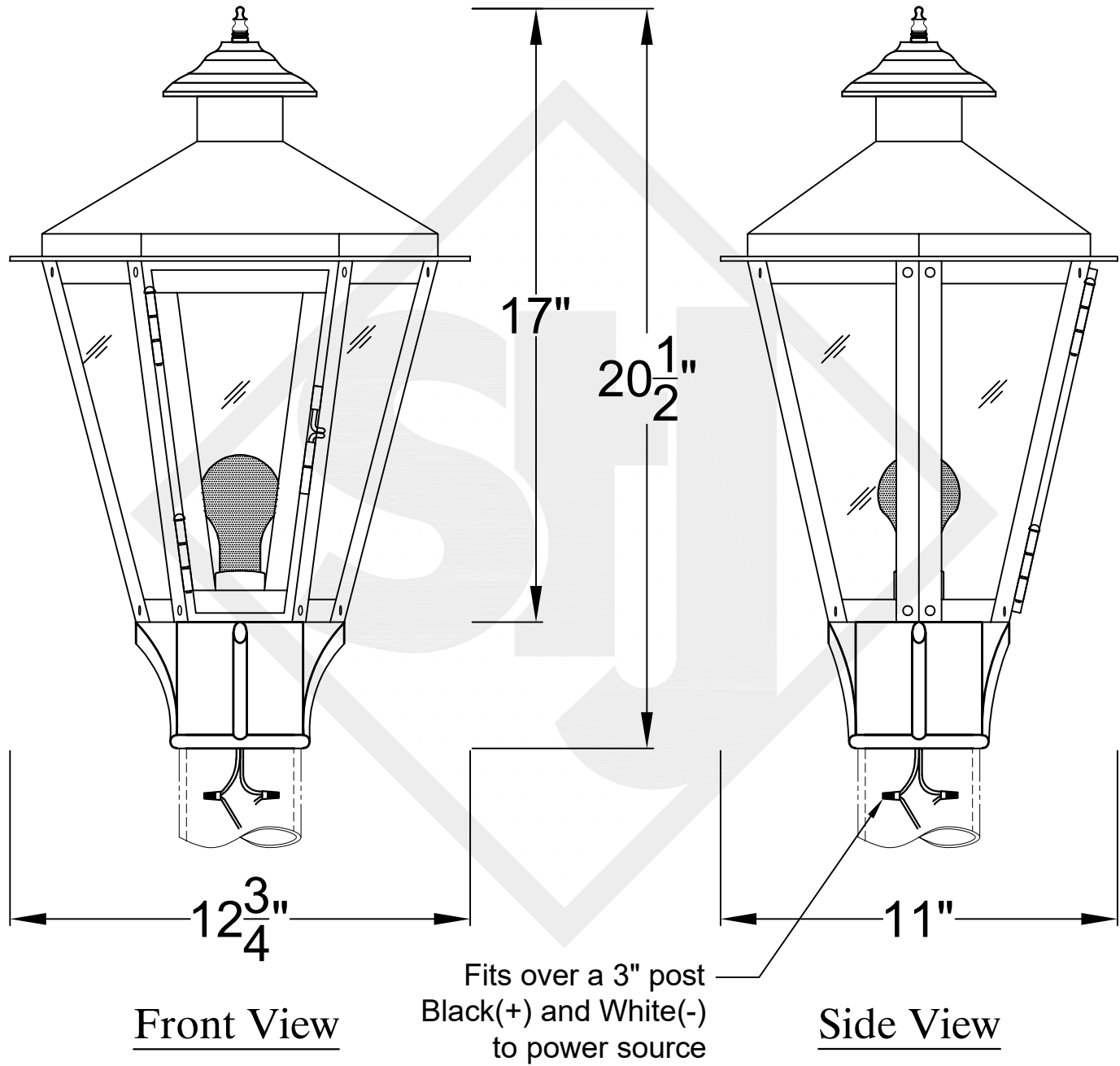


# BILOXI MINI COPPER POST MOUNT

Available w/ Solid  
or Glass Top



St. James  
LIGHTING

SCALE: N.T.S.	DRAFT: T. Herring
FILE: BILMINI	APP'D: J. Ragan
JOB: X	DATE: 4-21-2023

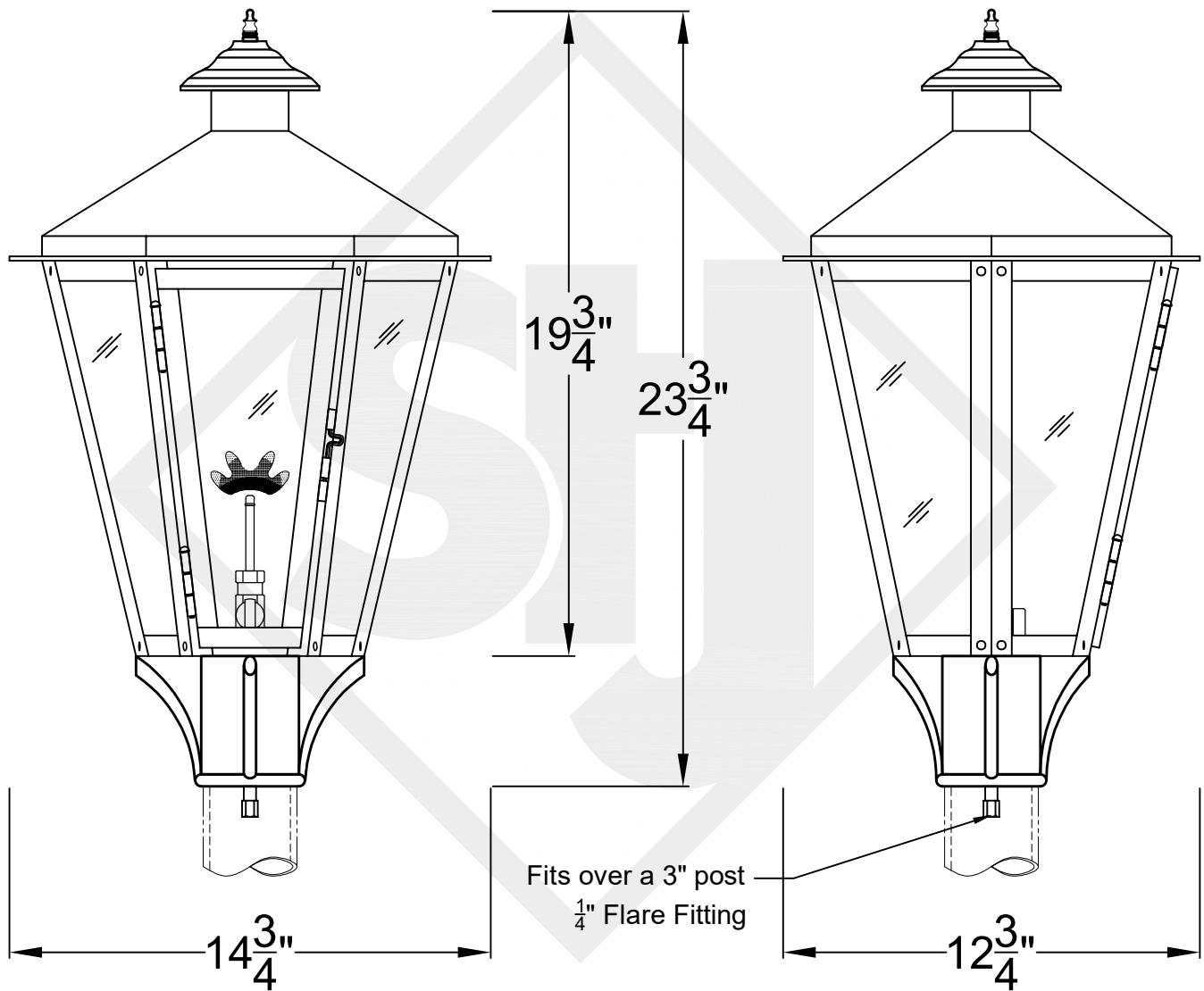
Lights are handcrafted.  
Dimensions may vary by 1/4"

Mini not Available in Gas

UL Certified  
Candelabra- Max 60 Watt Bulb  
Edison- Max 660 Watt Bulb

# BILOXI SMALL COPPER POST MOUNT

Available w/ Solid  
or Glass Top



Front View

Side View



St. James  
LIGHTING

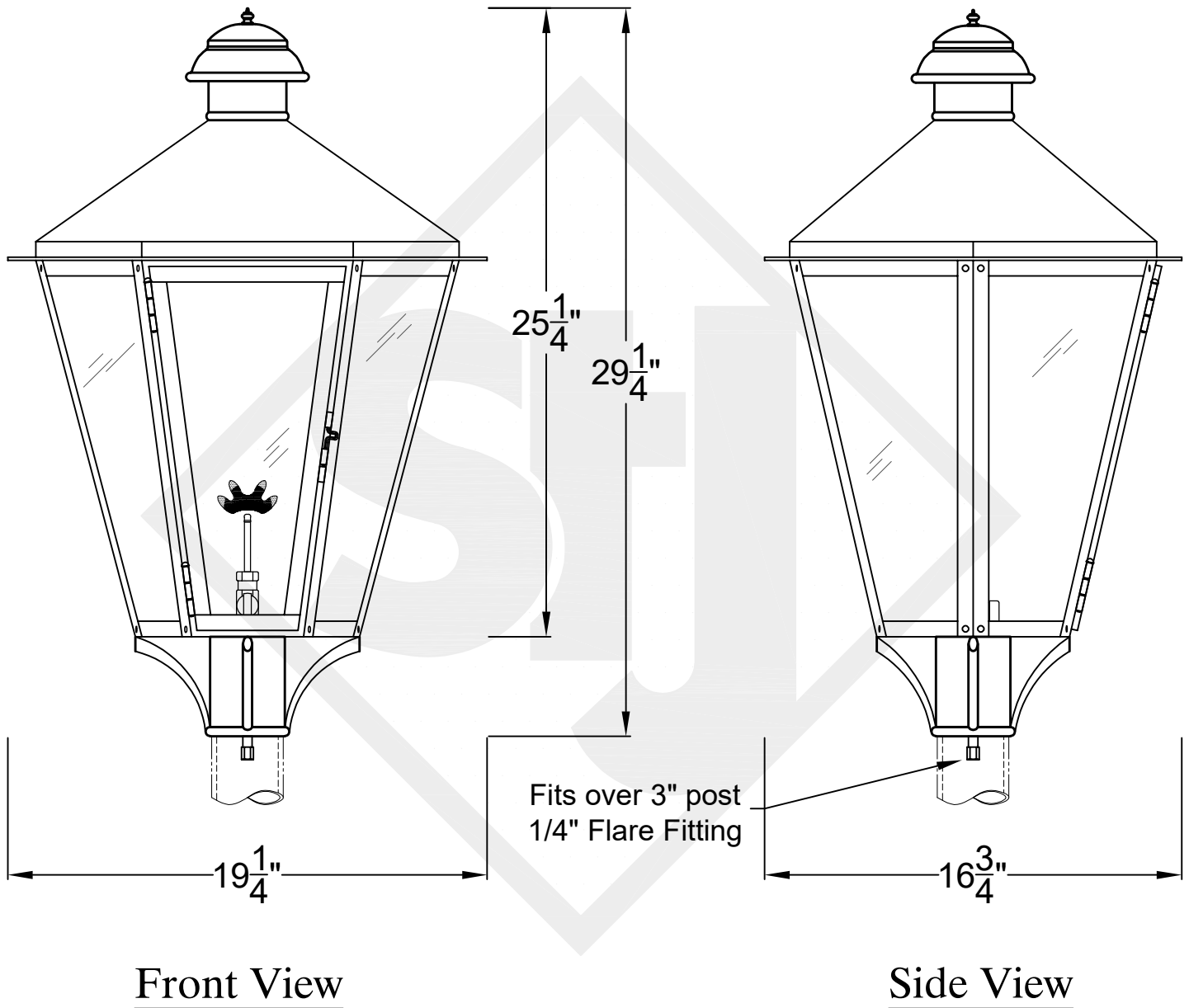
SCALE: N.T.S.      DRAFT: T. Herring  
FILE: BILS      APP'D: J. Ragan  
JOB: X      DATE: 4-20-2023

Lights are handcrafted.  
Dimensions may vary by  $\frac{1}{4}$ "

B.T.U. Rating  
Natural Gas: 2730 B.T.U.  
Propane: 2080 B.T.U.

# BILOXI MEDIUM COPPER POST MOUNT

Available w/ Solid  
or Glass Top



Front View

Side View



St. James  
LIGHTING

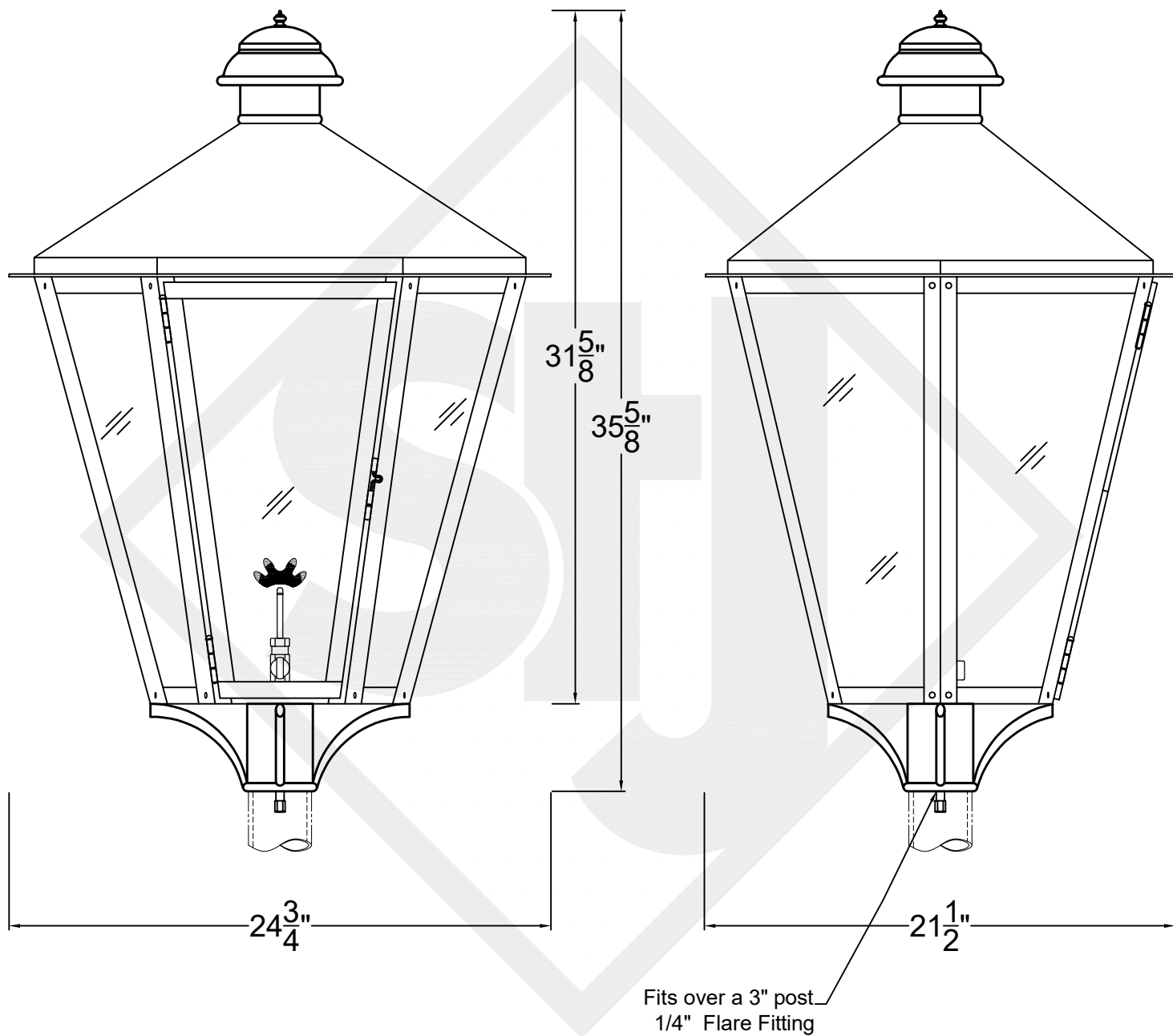
SCALE: N.T.S.      DRAFT: T. Herring  
FILE: BILM      APP'D: J. Ragan  
JOB: X      DATE: 4-20-2023

Lights are handcrafted.  
Dimensions may vary by 1/4"

B.T.U. Rating  
Natural Gas: 2730 B.T.U.  
Propane: 2080 B.T.U.

# BILOXI LARGE COPPER POST MOUNT

Available w/ Solid  
or Glass Top



Front View

Side View



St. James  
LIGHTING

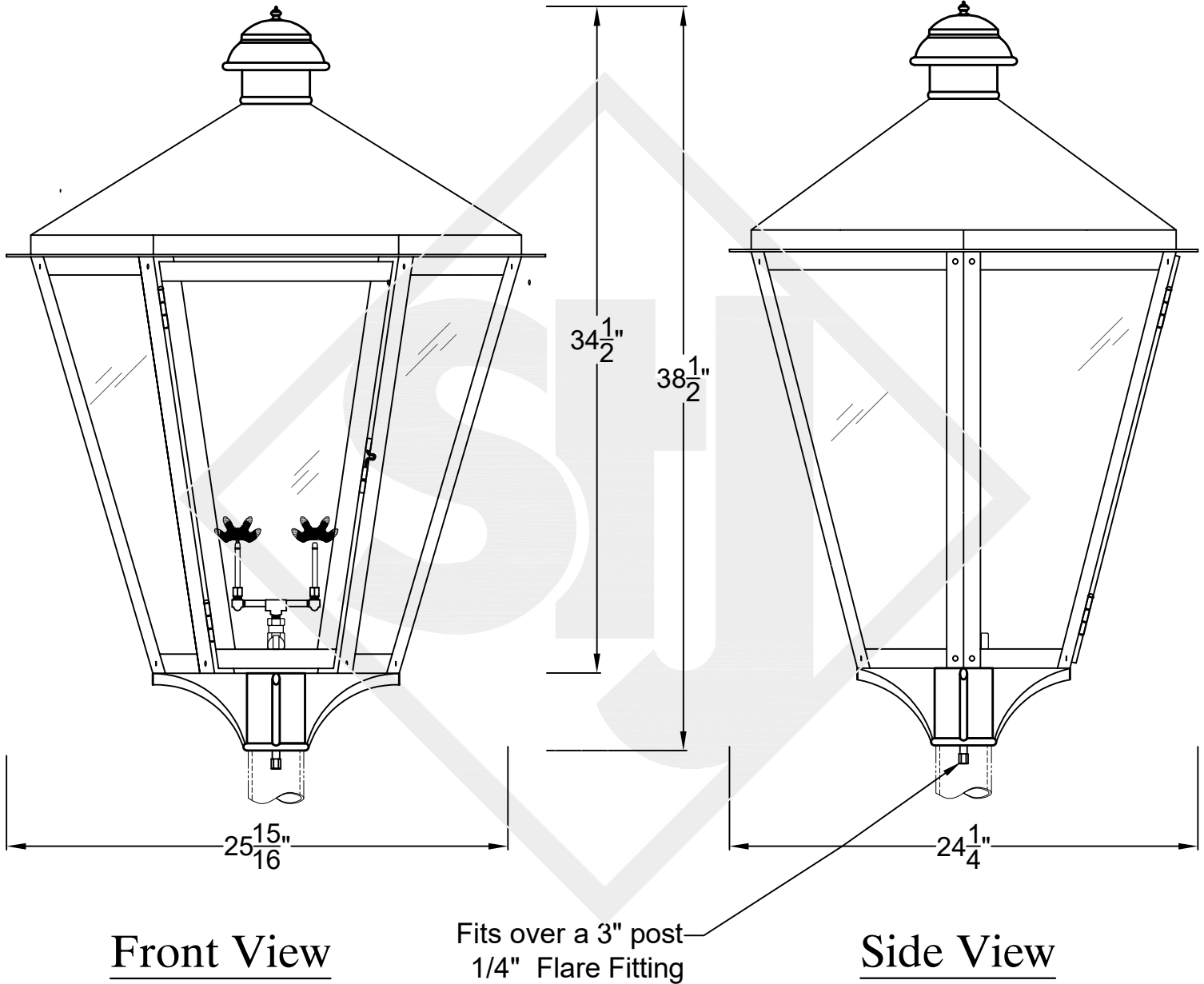
SCALE: N.T.S.      DRAFT: Y. McCullough  
FILE: BILL          APP'D: J. Ragan  
JOB: X              DATE: 11/15/23

Lights are handcrafted.  
Dimensions may vary by 1/4"

B.T.U. Rating  
Natural Gas: 2730 B.T.U.  
Propane: 2080 B.T.U.

# BILOXI GRANDE COPPER POST MOUNT

Available w/ Solid  
or Glass Top



St. James  
LIGHTING

SCALE: N.T.S.      DRAFT: Y. McCullough  
FILE: BILG      APP'D: J. Ragan  
JOB: X      DATE: 11/15/23

Lights are handcrafted.  
Dimensions may vary by 1/4"

B.T.U. Rating  
Natural Gas: 5460 B.T.U.  
Propane: 4160 B.T.U.