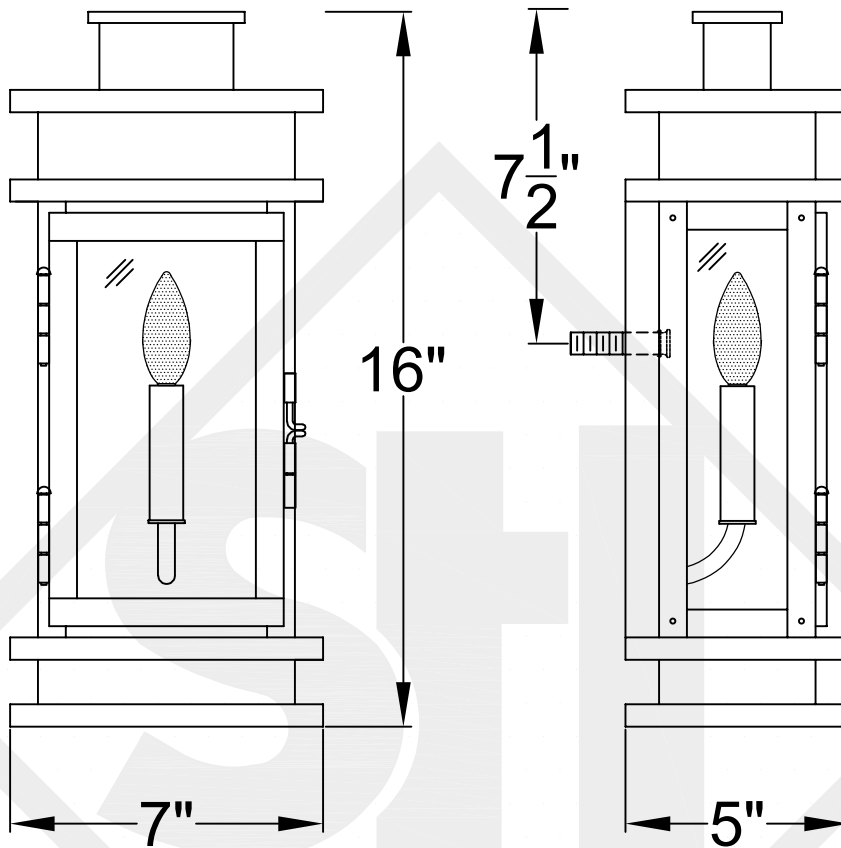
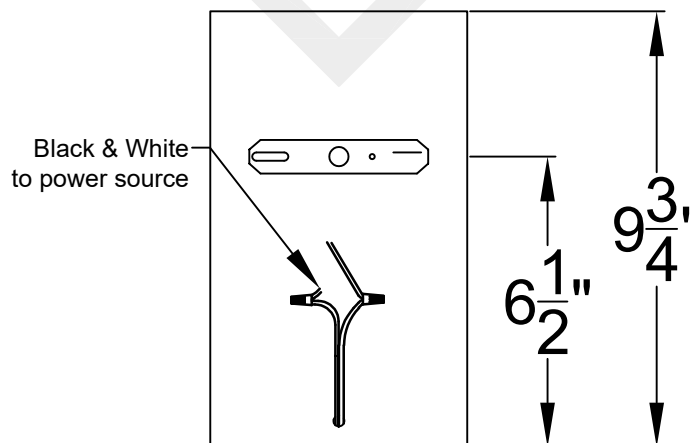
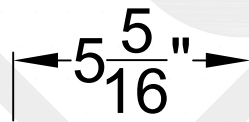


# SOMERSET MINI COPPER WALL BRACKET



Front View

Side View



Backplate

\*Max 2 Candelabra  
No Gas



St. James  
LIGHTING

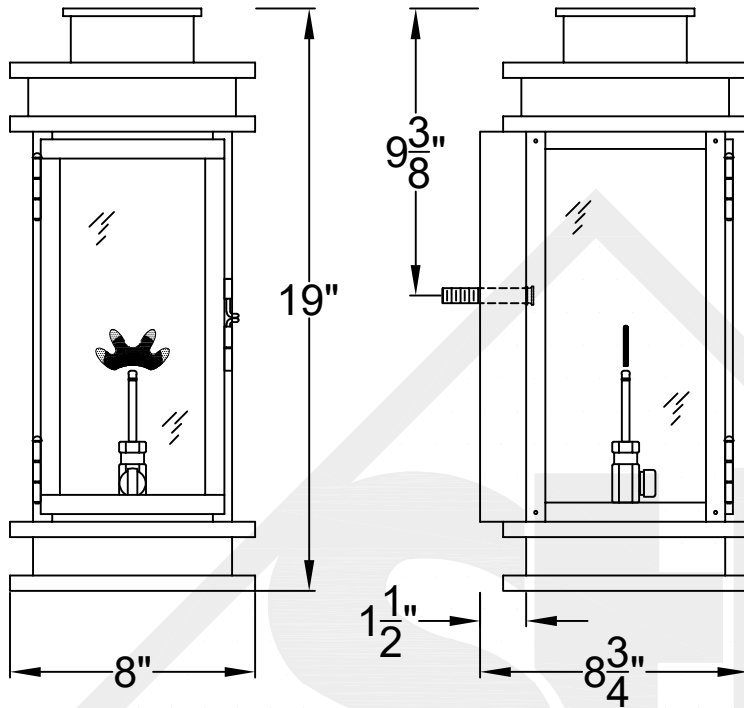
SCALE: N.T.S.	DRAFT: Y. McCullough
FILE: SOMMINI	APP'D: J. Ragan
JOB: X	DATE: 11/29/23

Lights are handcrafted.  
Dimensions may vary by 1/4"

UL Certified  
Candelabra- Max 60 Watt Bulb  
Edison- Max 660 Watt Bulb

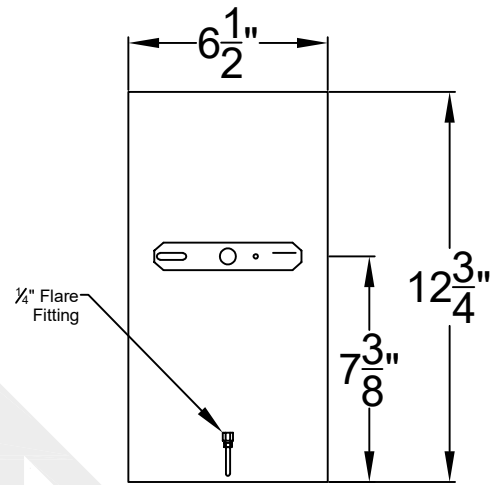
# SOMERSET SMALL COPPER WALL BRACKET

Gas



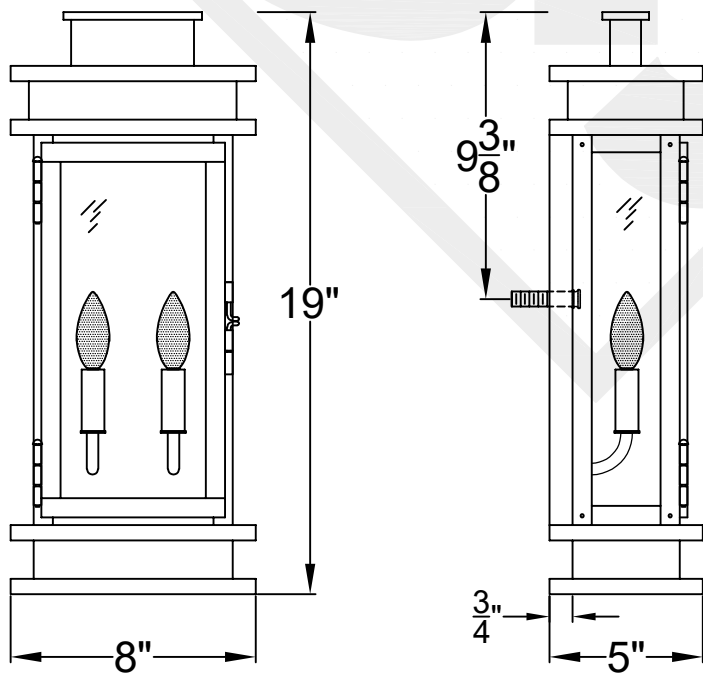
Front View

Side View



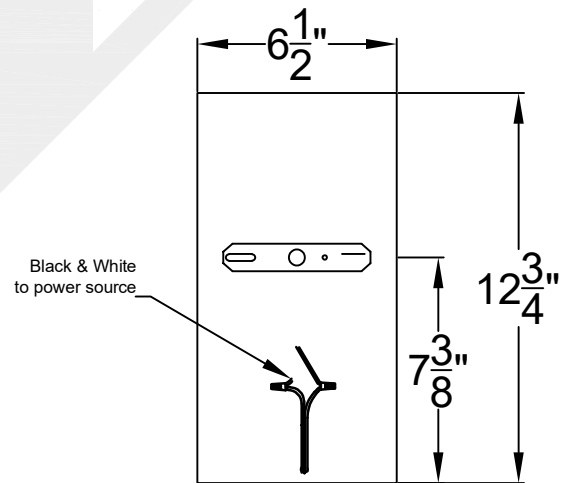
Backplate

Electric



Front View

Side View



Backplate



St. James  
LIGHTING

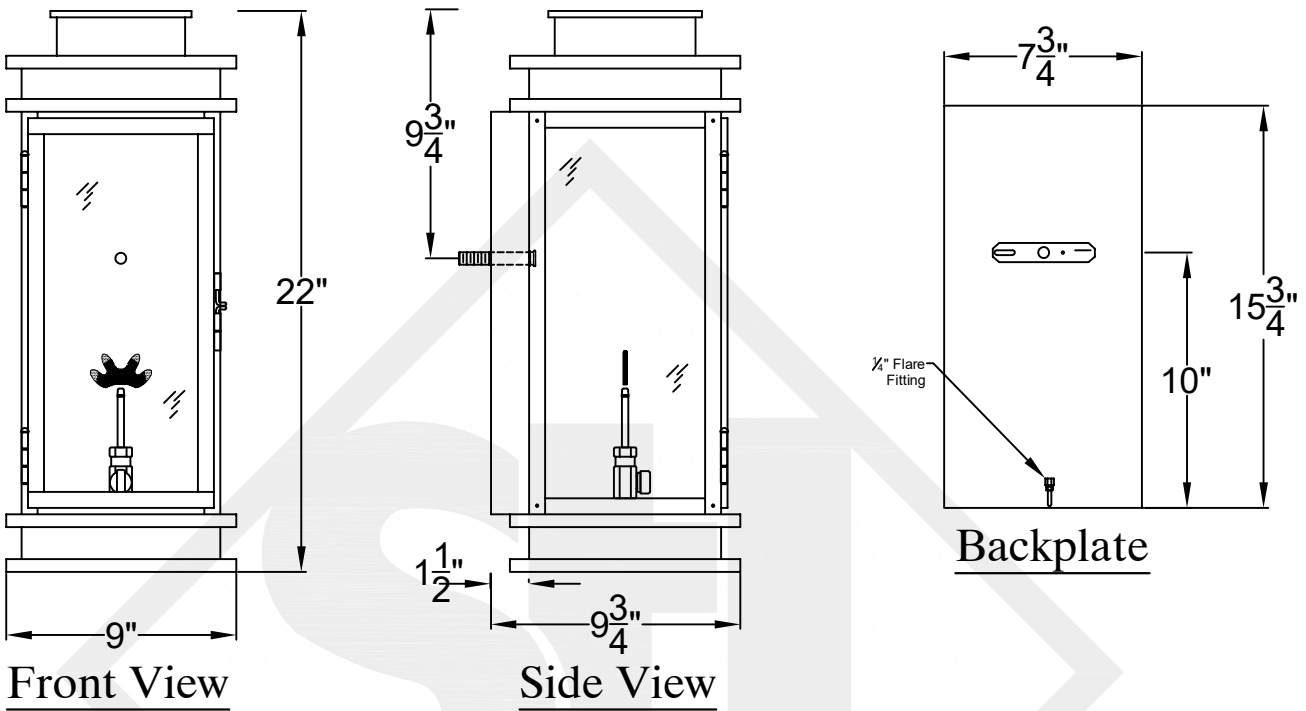
SCALE: N.T.S.      DRAFT: T. Herring  
FILE: SOMS        APP'D: J. Ragan  
JOB: X              DATE: 8-7-2023

Lights are handcrafted.  
Dimensions may vary by 1/4"

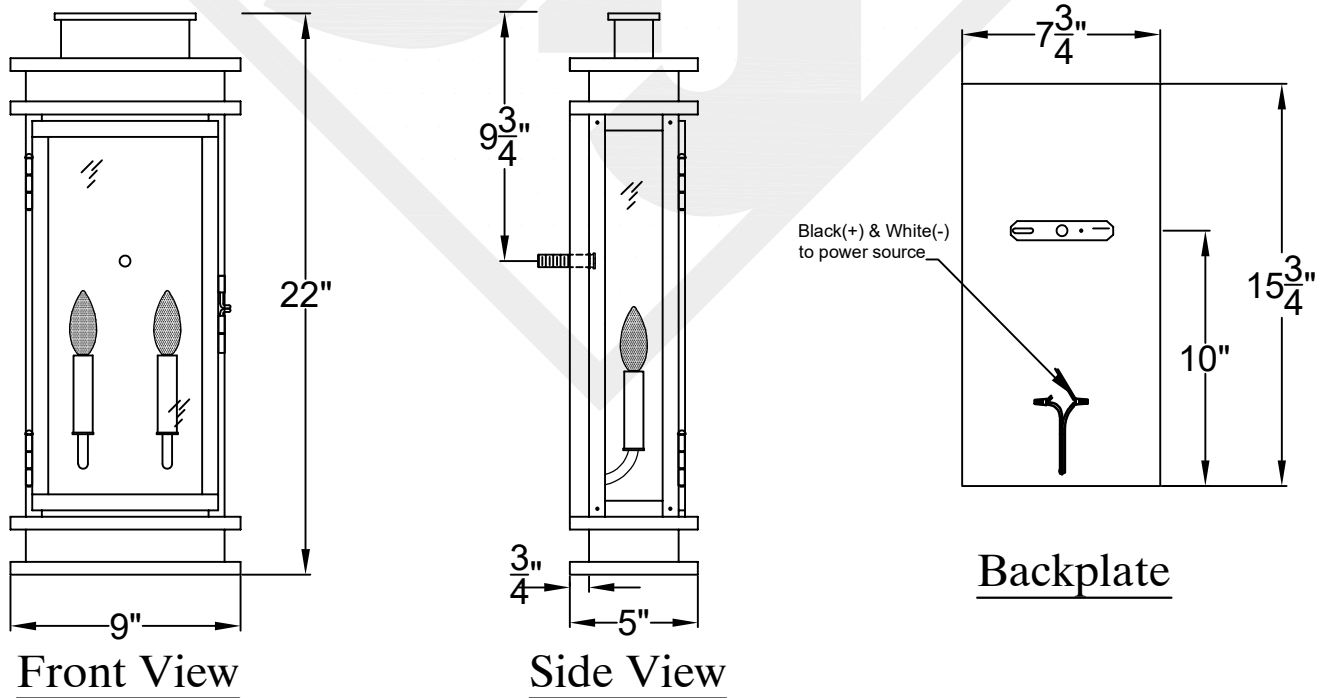
UL Certified  
Candelabra- Max 60 Watt Bulb  
Edison- Max 660 Watt Bulb

# SOMERSET MEDIUM COPPER WALL BRACKET

Gas



Electric



**St. James  
LIGHTING**

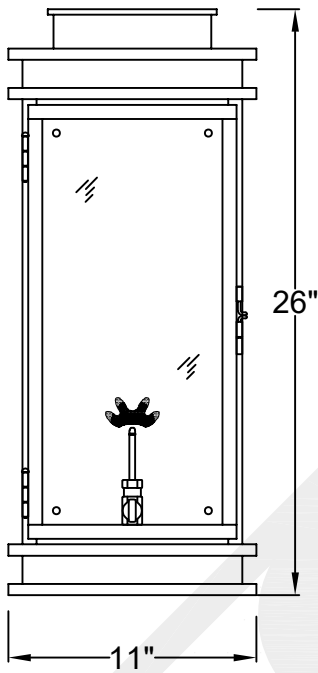
SCALE: N.T.S.	DRAFT: Y. McCullough
FILE: SOMM	APP'D: J. Ragan
JOB: X	DATE: 11/29/23

Lights are handcrafted.  
Dimensions may vary by 1/4"

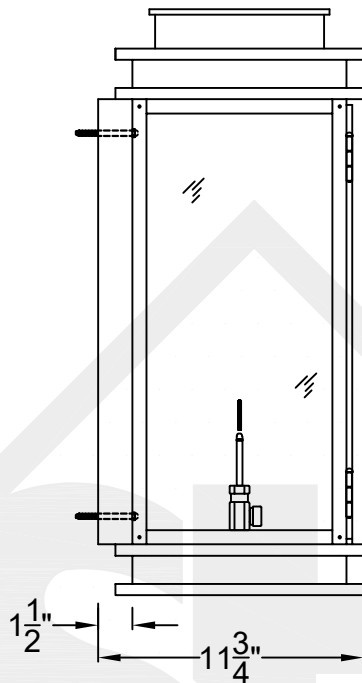
UL Certified  
Candelabra- Max 60 Watt Bulb  
Edison- Max 660 Watt Bulb

# SOMERSET LARGE COPPER WALL BRACKET

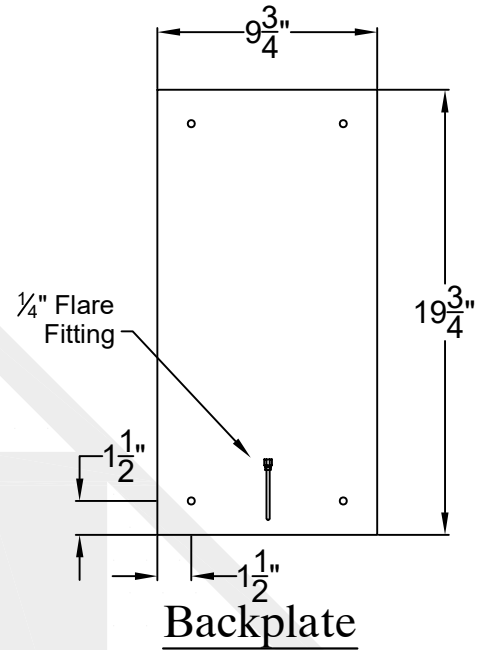
Gas



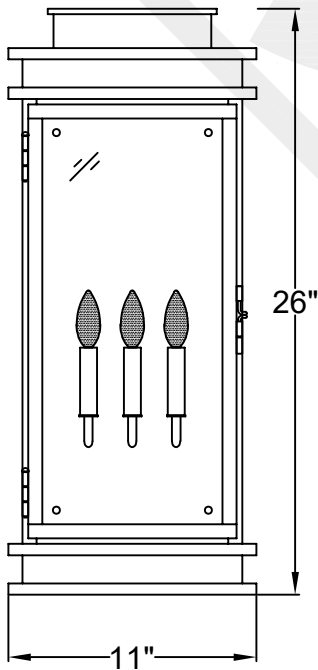
Front View



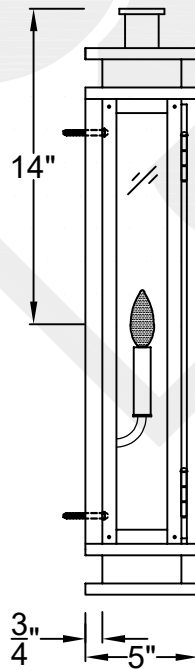
Side View



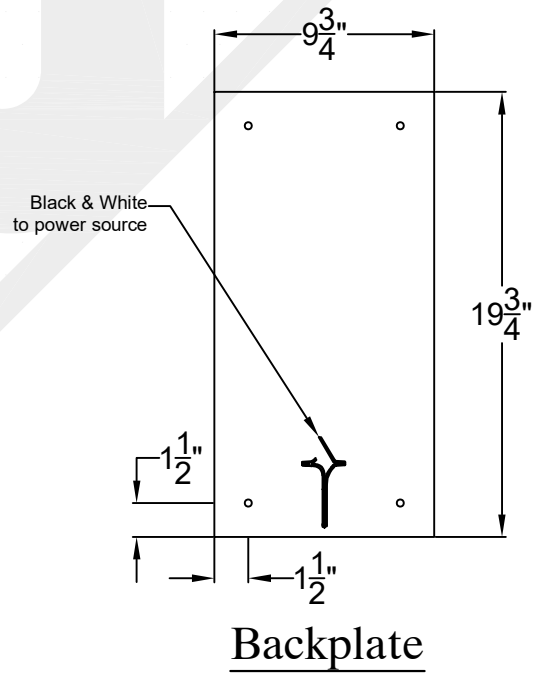
Electric



Front View



Side View



St. James  
LIGHTING

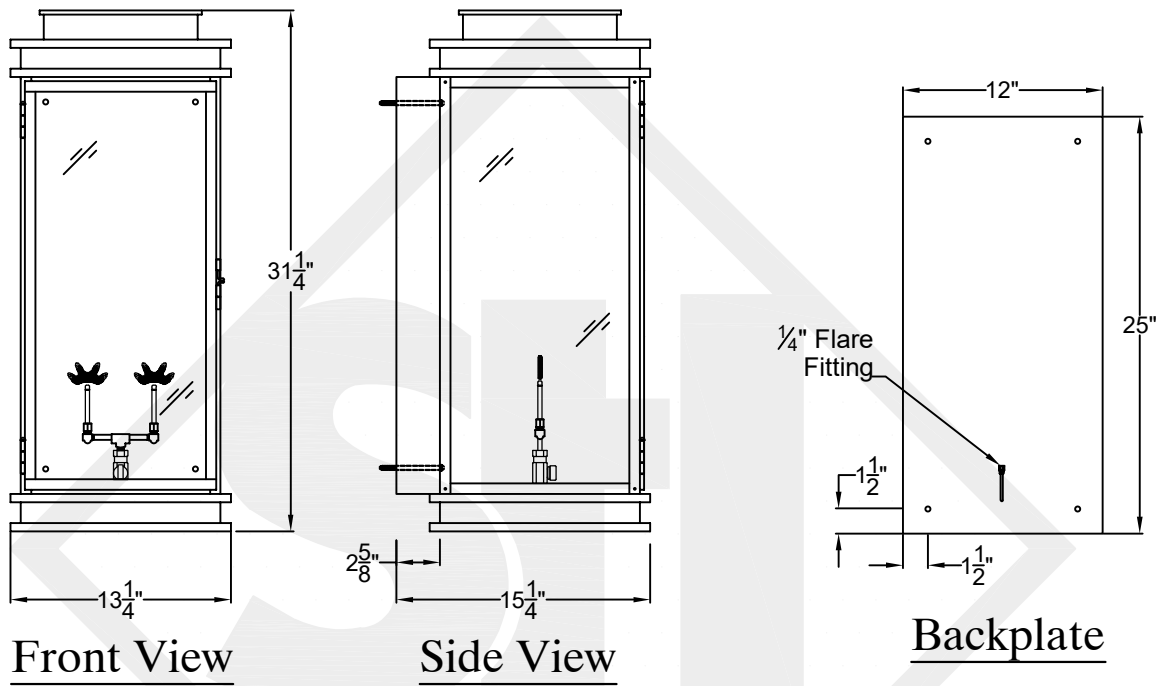
SCALE: N.T.S.	DRAFT: Y. McCullough
FILE: SOML	APP'D: J. Ragan
JOB: X	DATE: 12/6/23

Lights are handcrafted.  
Dimensions may vary by 1/4"

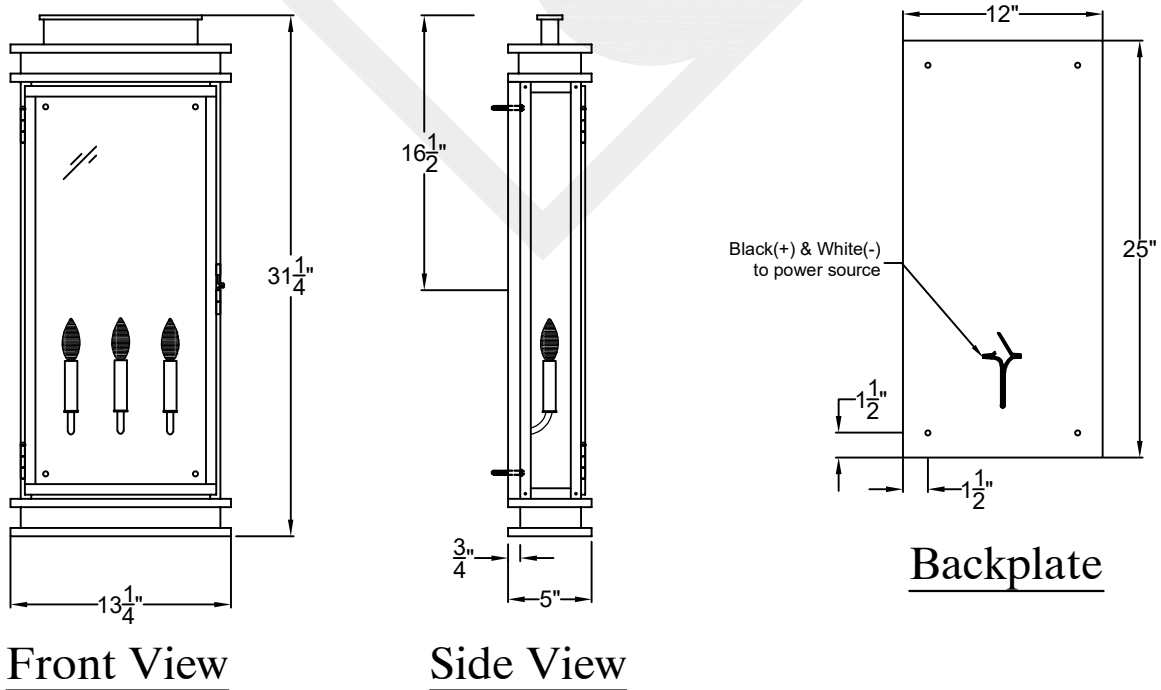
UL Certified  
Candelabra- Max 60 Watt Bulb  
Edison- Max 660 Watt Bulb

# SOMERSET GRANDE COPPER WALL BRACKET

Gas



Electric



**St. James  
LIGHTING**

SCALE: N.T.S.	DRAFT: Y. McCullough
FILE: SOMG	APP'D: J. Ragan
JOB: X	DATE: 12/6/23

Lights are handcrafted.  
Dimensions may vary by 1/4"

UL Certified  
Candelabra- Max 60 Watt Bulb  
Edison- Max 660 Watt Bulb