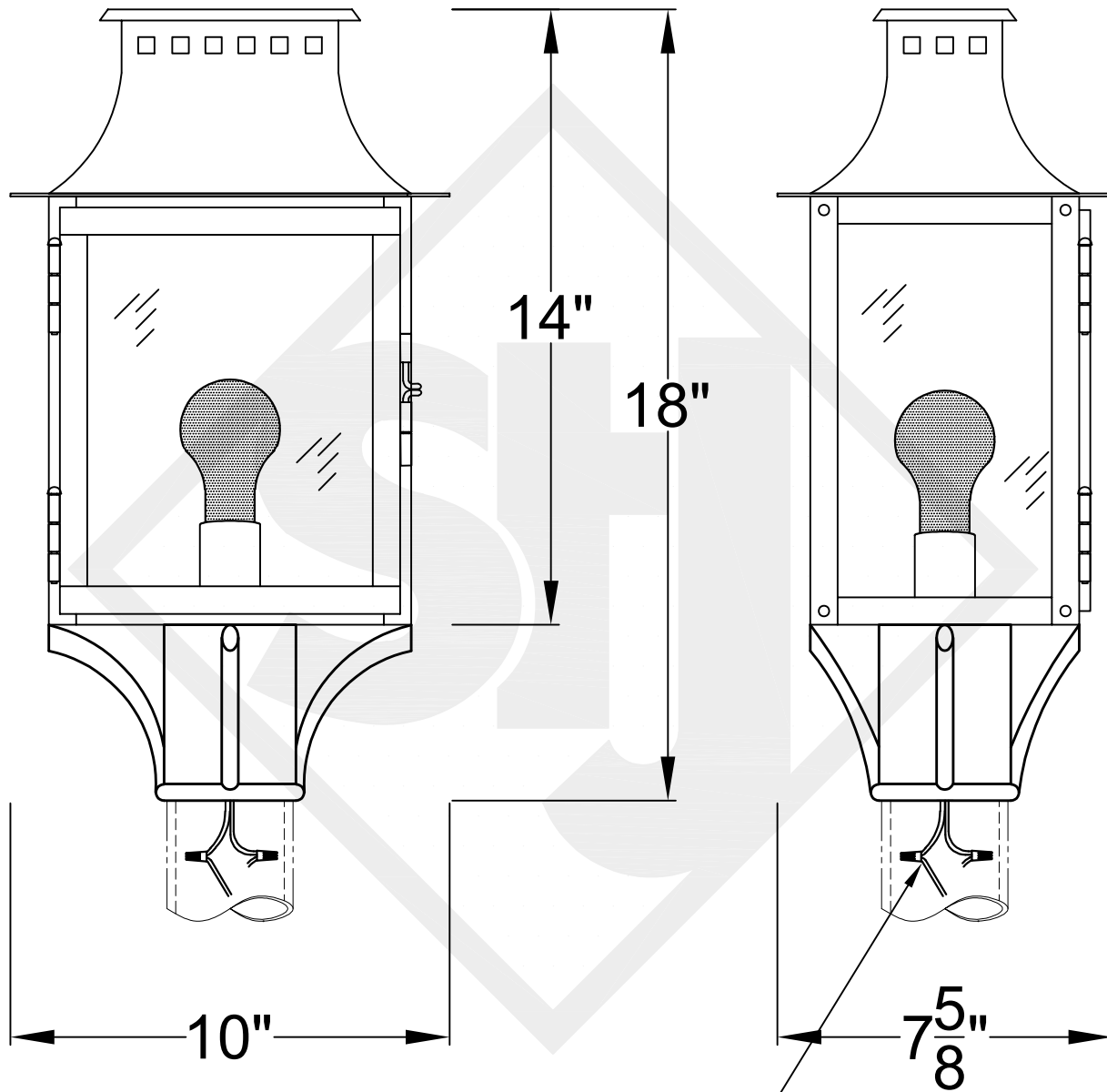


# ASPEN MINI COPPER POST MOUNT



Front View

Fits over a 3" post  
Black(+) & White(-)  
to power source

Side View



St. James  
LIGHTING

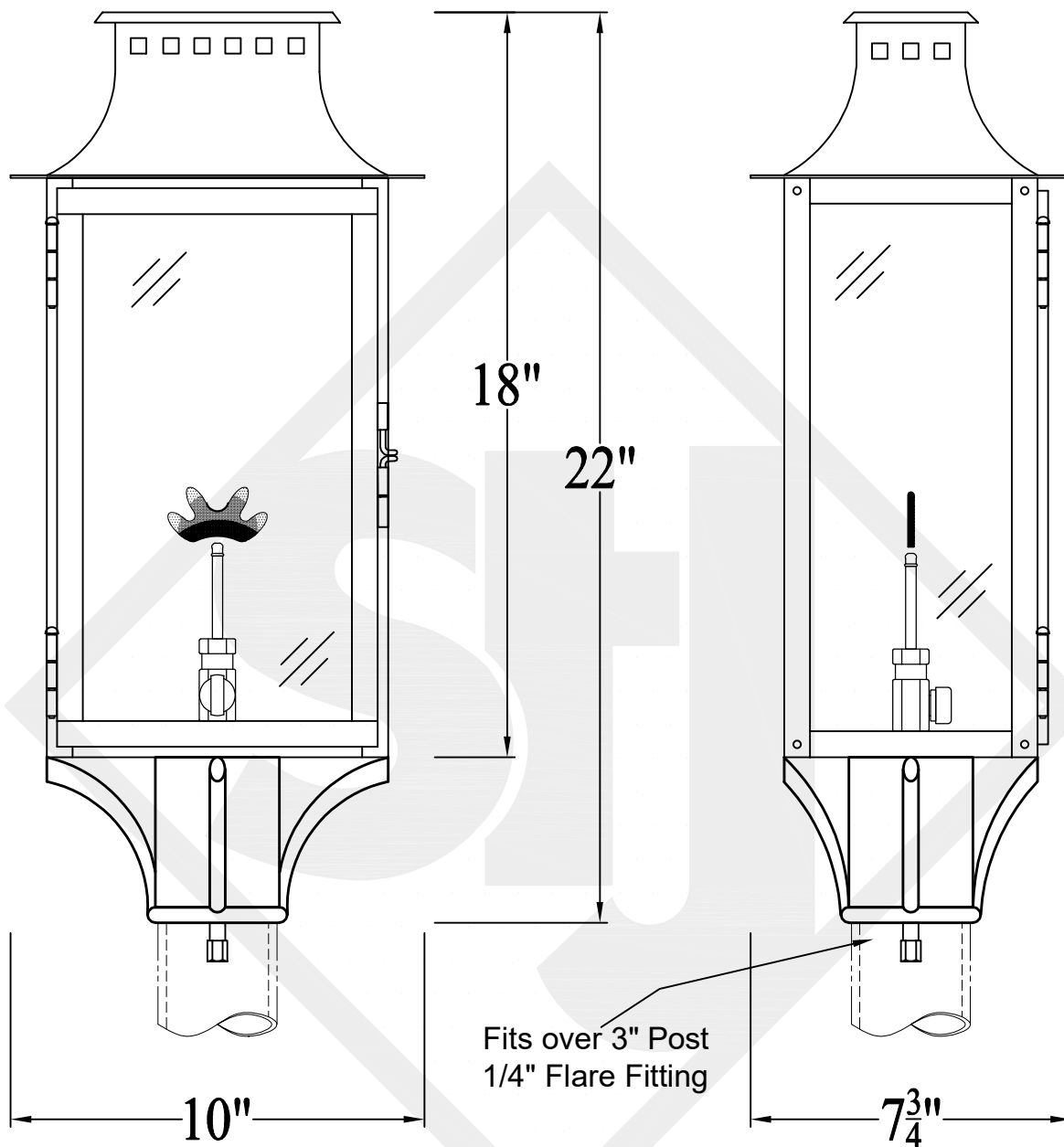
SCALE: N.T.S.      DRAFT: Y. McCullough  
FILE: ASPMINI      APP'D: J. Ragan  
JOB: X      DATE: 11/14/23

Lights are handcrafted.  
Dimensions may vary by 1/4"

UL Certified  
Candelabra- Max 60 Watt Bulb  
Edison- Max 660 Watt Bulb

Mini not available in gas

# ASPEN SMALL COPPER POST MOUNT



Front View

Side View



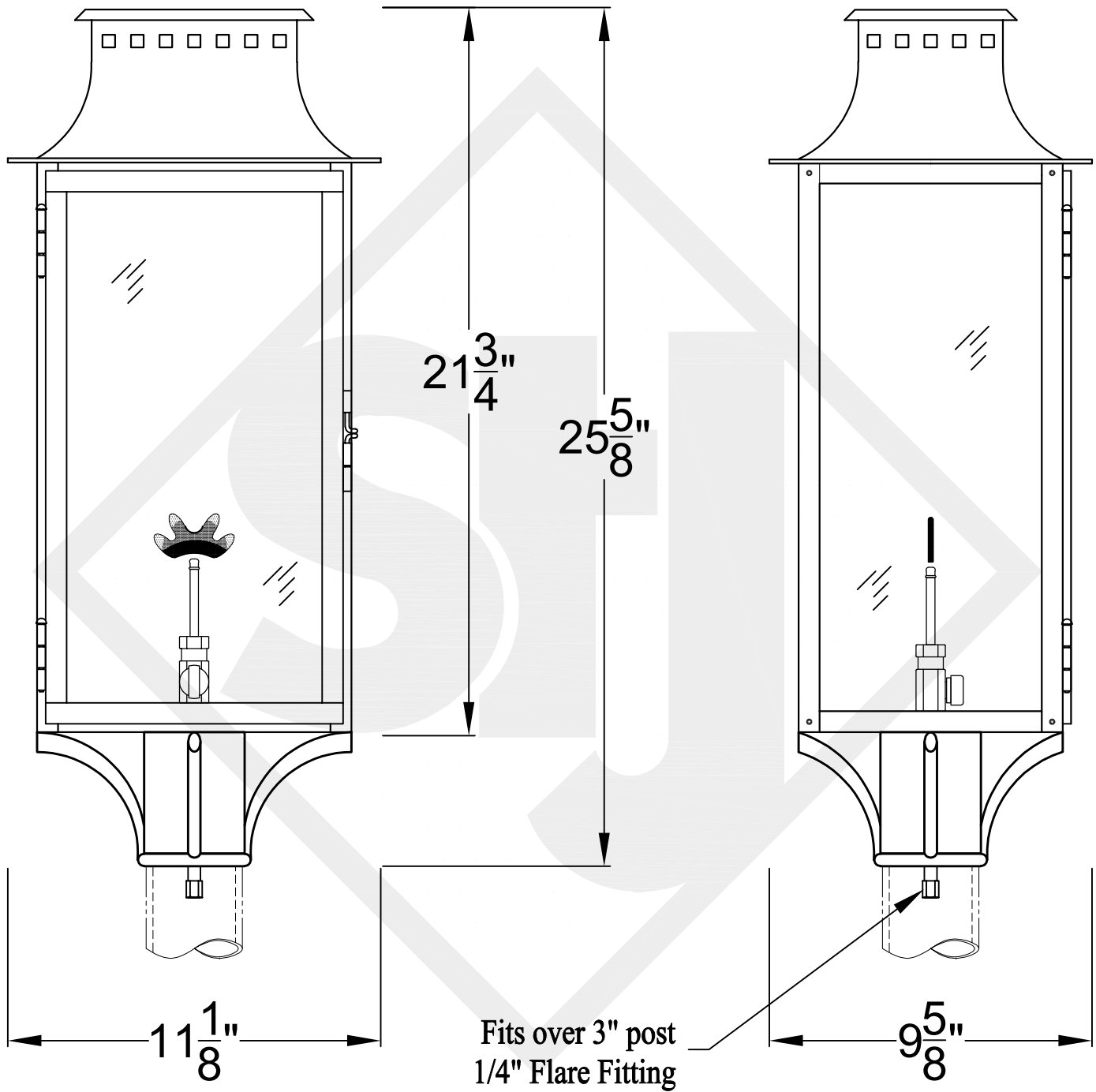
St. James  
LIGHTING

SCALE: N.T.S.	DRAFT: J. Grippo
FILE: ASPS	APP'D: J. Ragan
JOB: X	DATE: 11/8/23

Lights are handcrafted.  
Dimensions may vary by 1/4"

B.T.U. Rating  
Natural Gas: 2730 B.T.U.  
Propane: 2080 B.T.U.

# ASPEN MEDIUM COPPER POST MOUNT



Front View

Side View



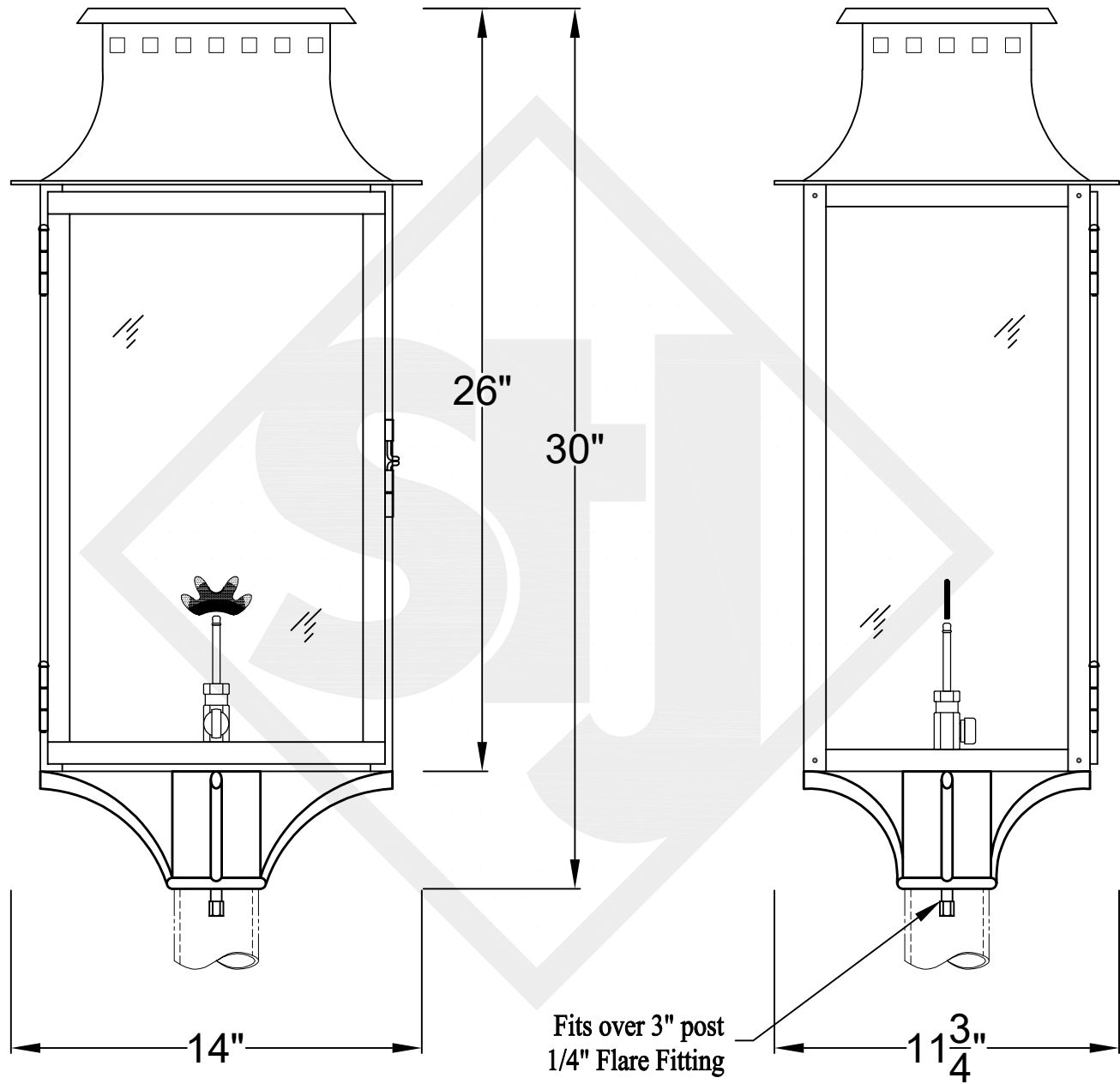
St. James  
LIGHTING

SCALE: N.T.S.	DRAFT: T. Herring
FILE: ASPM	APP'D: J. Ragan
JOB: X	DATE: 4-10-2023

Lights are handcrafted.  
Dimensions may vary by 1/4"

B.T.U. Rating  
Natural Gas: 2730 B.T.U.  
Propane: 2080 B.T.U.

# ASPEN LARGE COPPER POST MOUNT



Front View

Side View



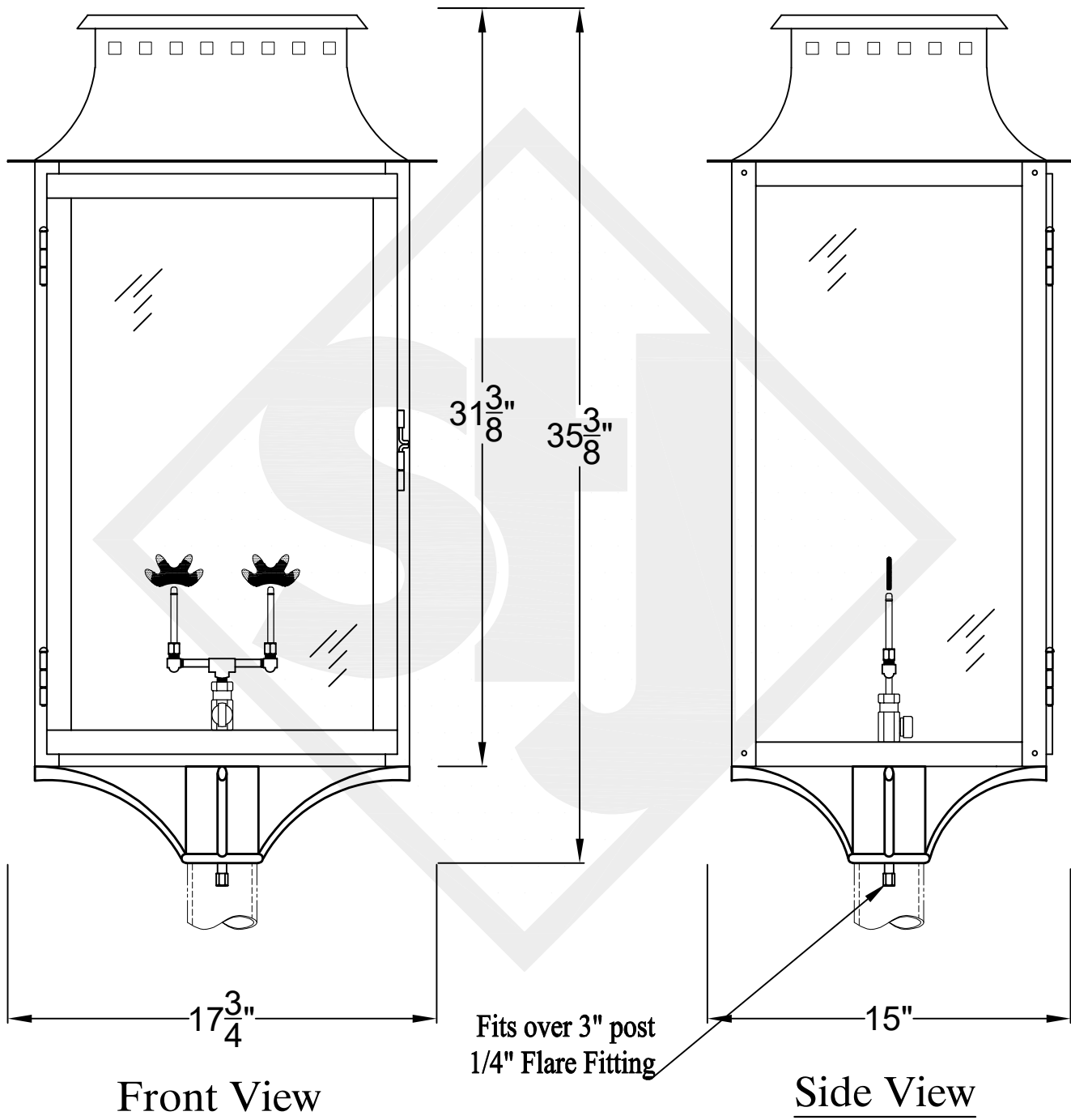
St. James  
LIGHTING

SCALE: N.T.S.	DRAFT: T. Herring
FILE: ASPL	APP'D: J. Ragan
JOB: X	DATE: 4-10-2023

Lights are handcrafted.  
Dimensions may vary by 1/4"

B.T.U. Rating  
Natural Gas: 2730 B.T.U.  
Propane: 2080 B.T.U.

# ASPEN GRANDE COPPER POST MOUNT



St. James  
LIGHTING

SCALE: N.T.S.	DRAFT: T. Herring
FILE: ASPG	APP'D: J. Ragan
JOB: X	DATE: 8-16-2023

Lights are handcrafted.  
Dimensions may vary by 1/4"

B.T.U. Rating  
 Natural Gas: 5460 B.T.U.  
 Propane: 4160 B.T.U.