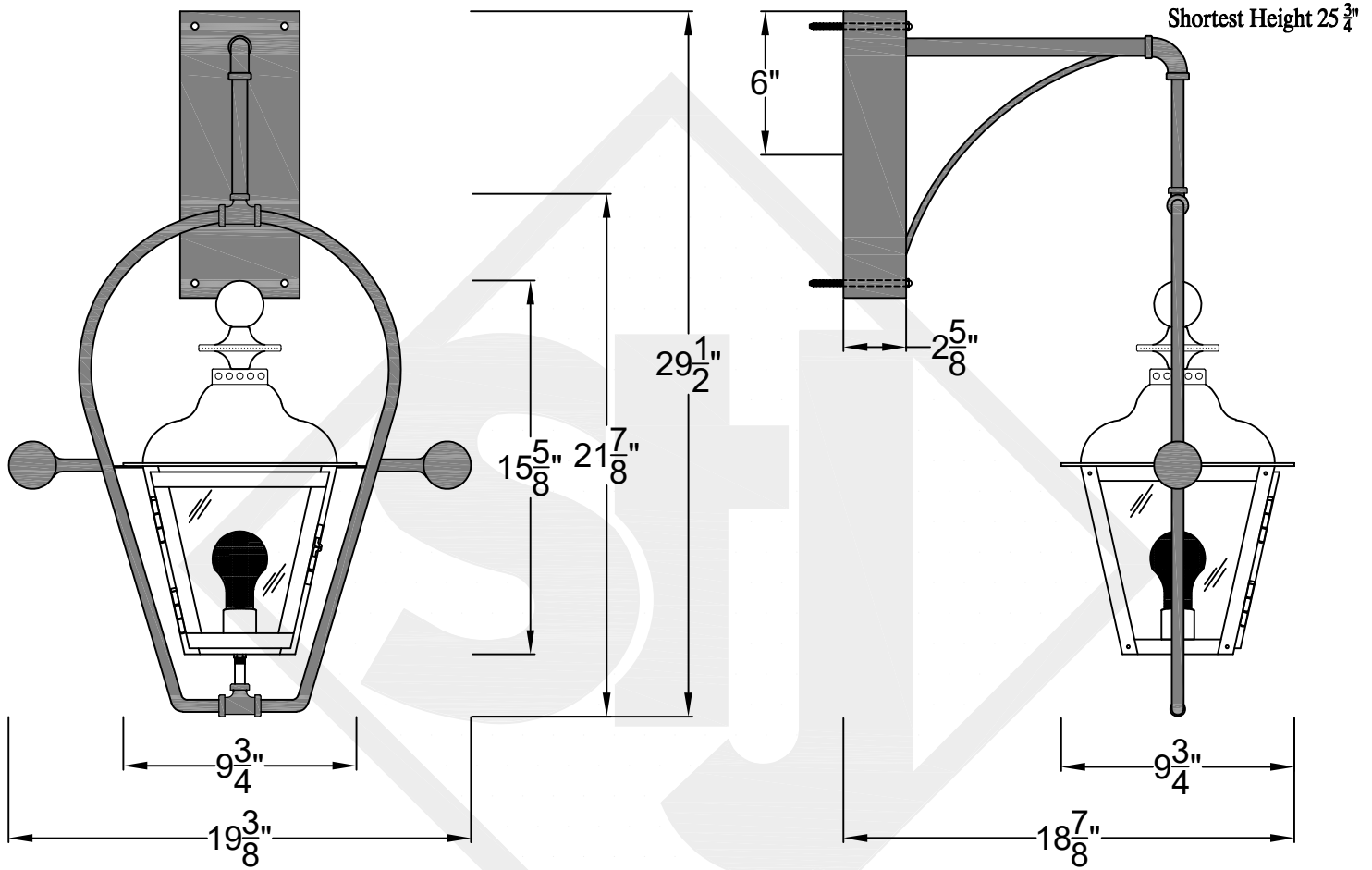
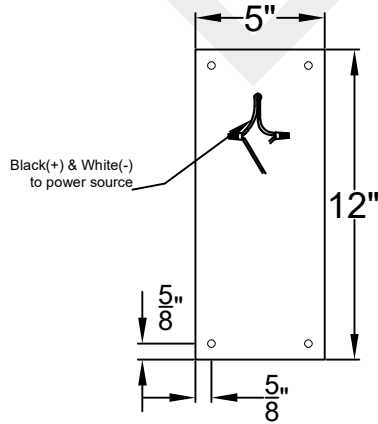


# BRUNSWICK MINI WALL MOUNT FULL YOKE



Front View

Side View



Backplate



St. James  
LIGHTING

SCALE: N.T.S.	DRAFT: Y. McCullough
FILE: BRUMINI	APP'D: J. Ragan
JOB: X	DATE: 11/16/23

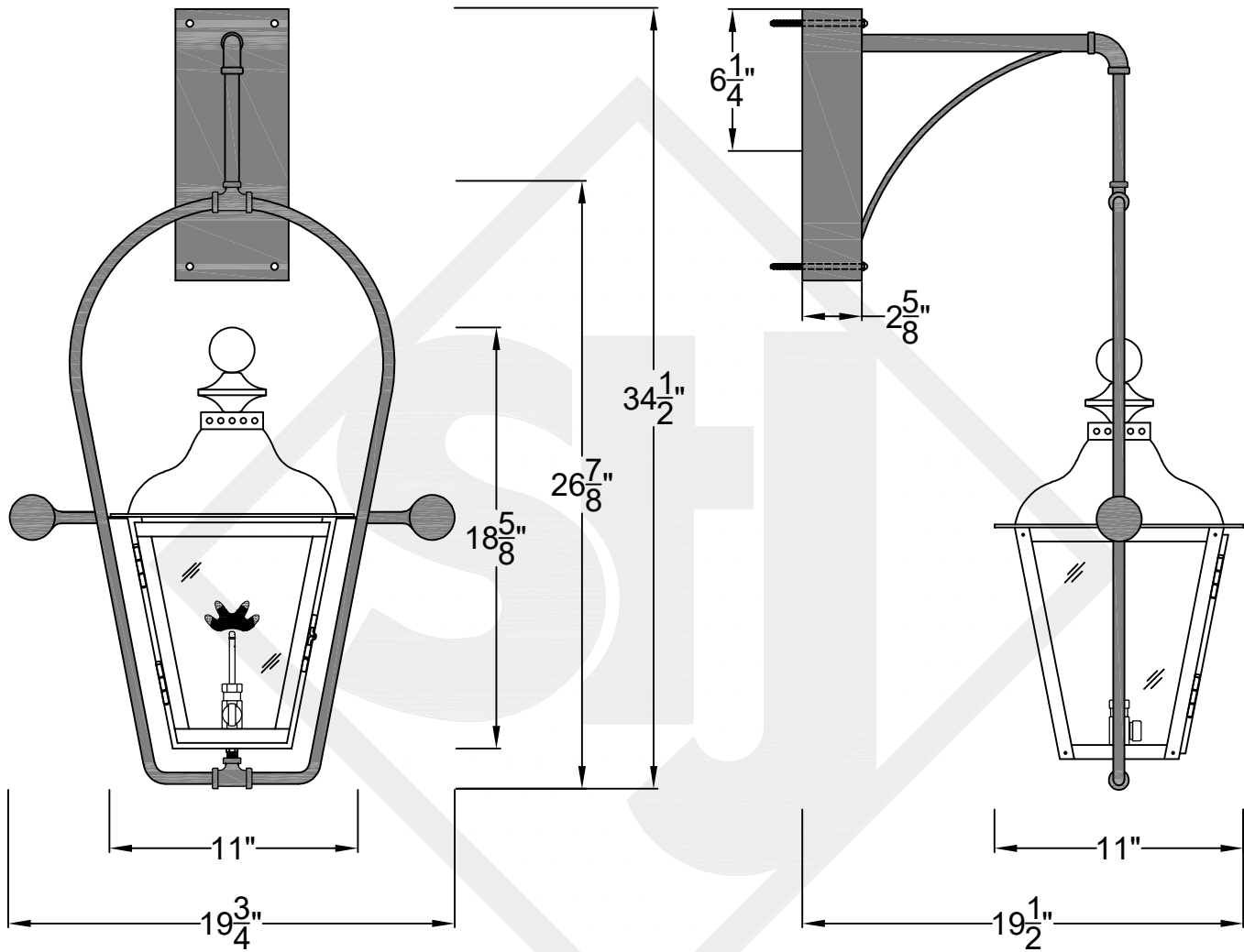
Lights are handcrafted.  
Dimensions may vary by 1/4"

UL Certified  
Candelabra- Max 60 Watt Bulb  
Edison- Max 660 Watt Bulb

Mini not Available in Gas

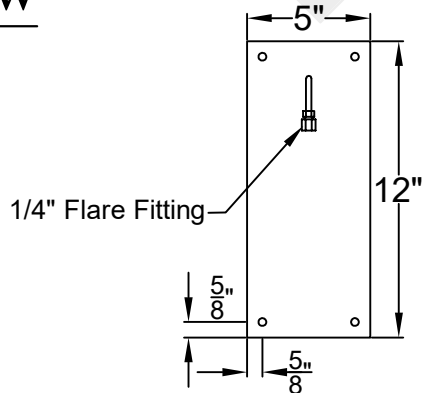
# BRUNSWICK SMALL WALL MOUNT FULL YOKE

Shortest Height  $30\frac{3}{4}$ "



Front View

Side View



Backplate



St. James  
LIGHTING

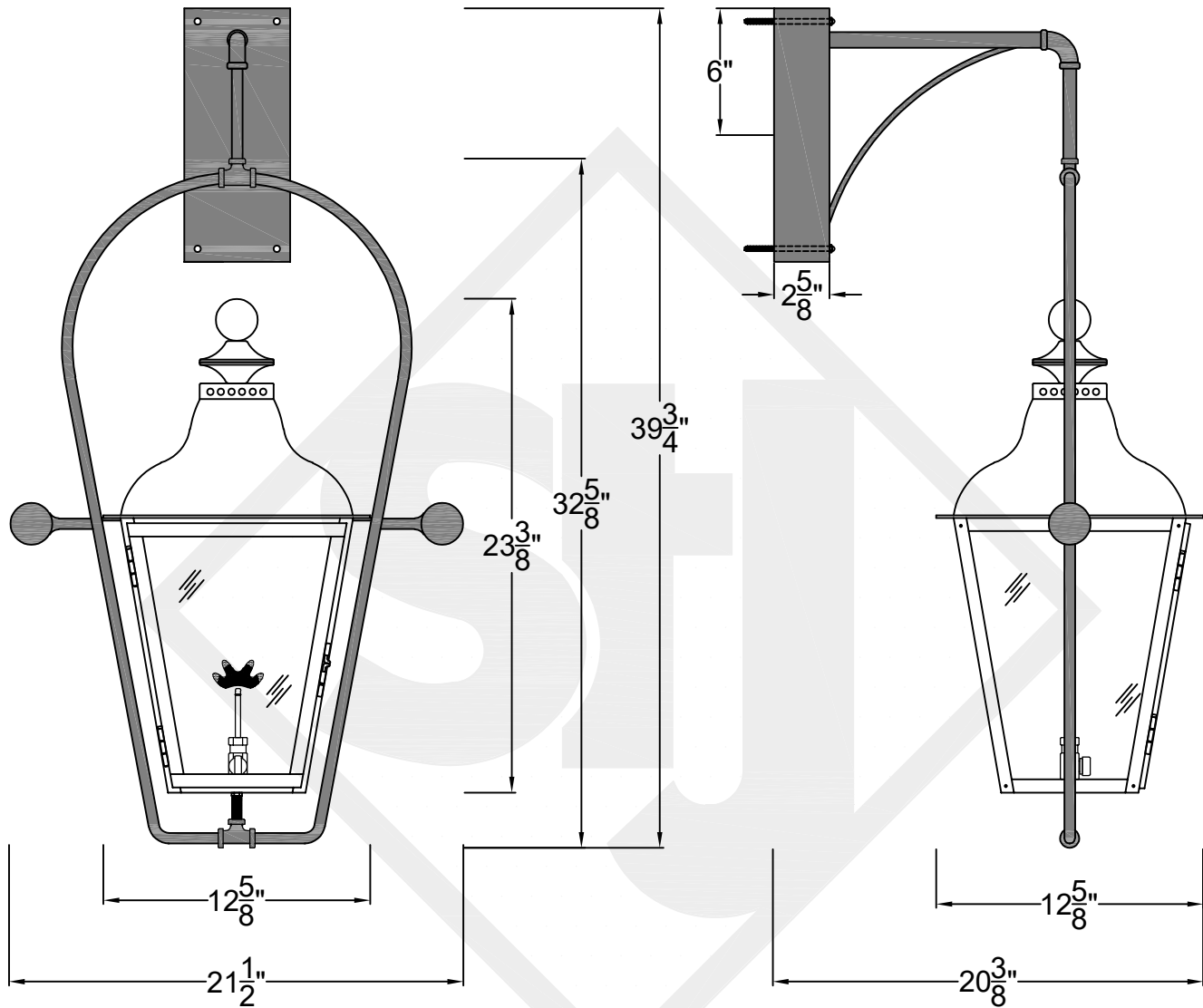
SCALE: N.T.S.	DRAFT: Y. McCullough
FILE: BRUS	APP'D: J. Ragan
JOB: X	DATE: 11/16/23

Lights are handcrafted.  
Dimensions may vary by 1/4"

B.T.U. Rating  
Natural Gas: 2730 B.T.U.  
Propane: 2080 B.T.U.

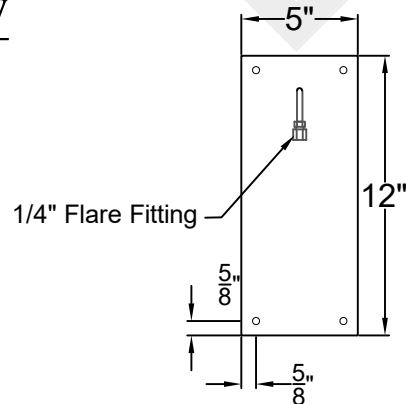
# BRUNSWICK MEDIUM WALL MOUNT FULL YOKE

Shortest Height  $36\frac{1}{2}$ "



Front View

Side View



Backplate



St. James  
LIGHTING

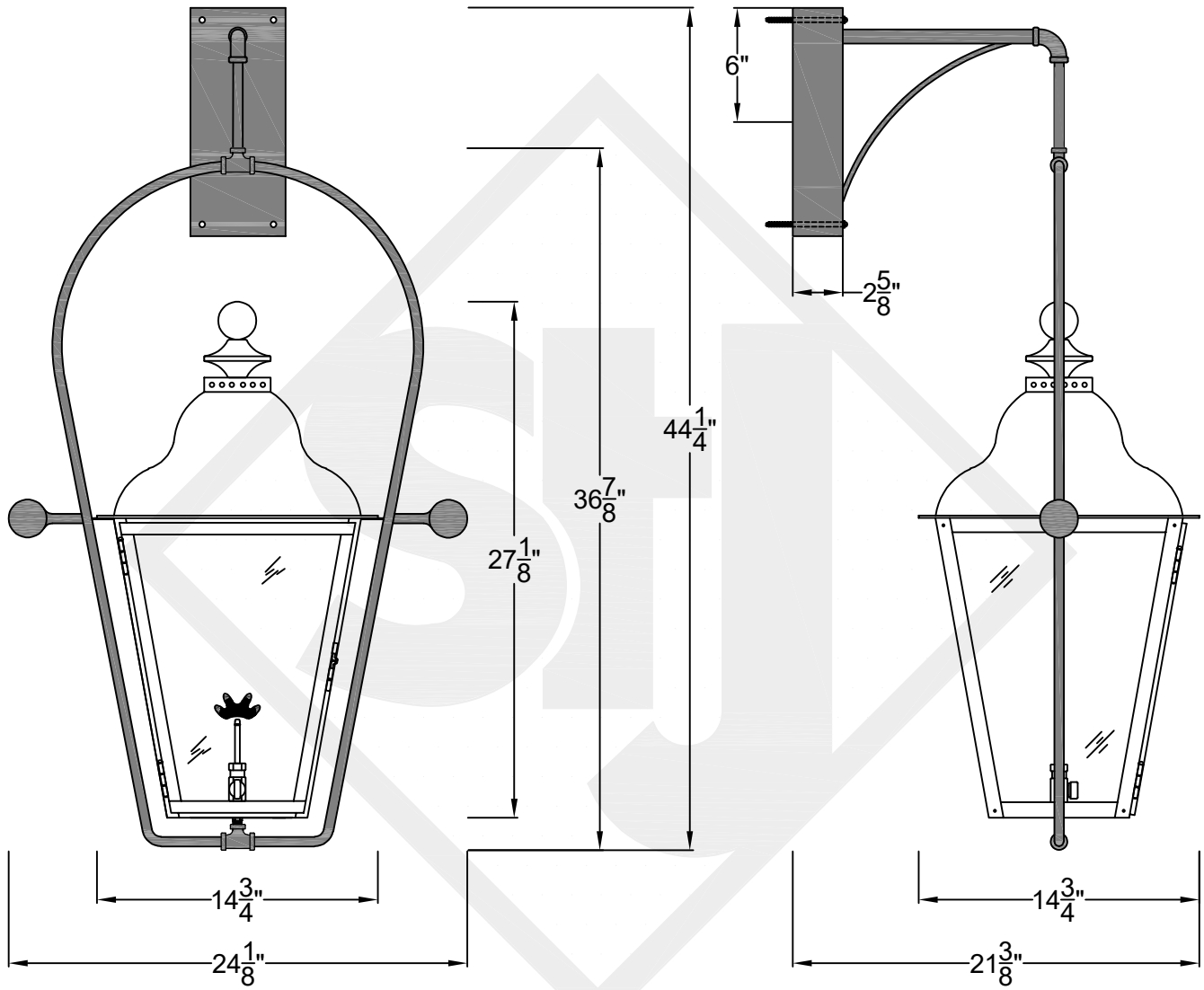
SCALE: N.T.S.	DRAFT: Y. McCullough
FILE: BRUM	APP'D: J. Ragan
JOB: X	DATE: 11/18/23

Lights are handcrafted.  
Dimensions may vary by 1/4"

B.T.U. Rating  
Natural Gas: 2730 B.T.U.  
Propane: 2080 B.T.U.

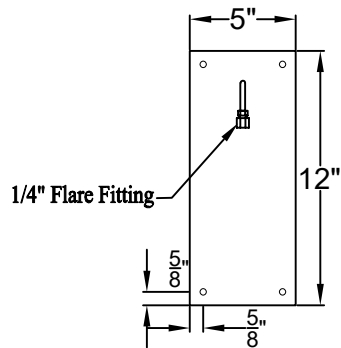
# BRUNSWICK LARGE WALL MOUNT FULL YOKE

Shortest Height 40 <sup>3</sup>/<sub>4</sub>"



Front View

Side View



Backplate



St. James  
LIGHTING

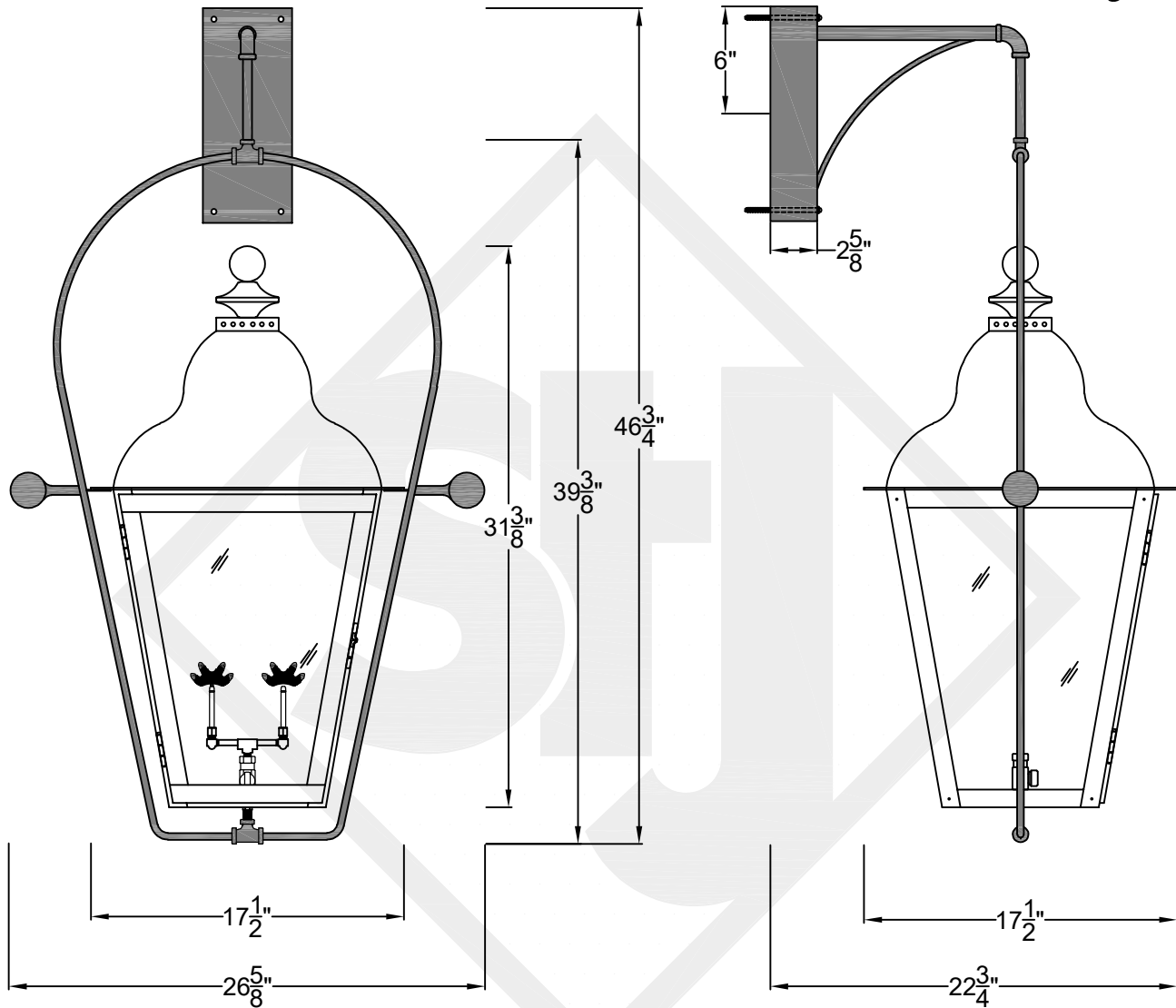
SCALE: N.T.S.	DRAFT: T. Herring
FILE: BRUL	APP'D: J. Ragan
JOB: X	DATE: 3-3-2023

Lights are handcrafted.  
Dimensions may vary by 1/4"

B.T.U. Rating  
Natural Gas: 2730 B.T.U.  
Propane: 2080 B.T.U.

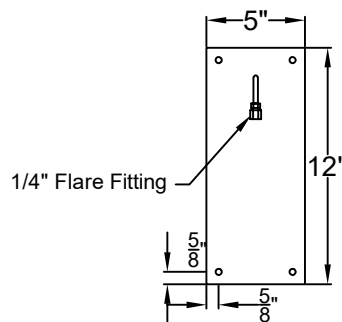
# BRUNSWICK GRANDE WALL MOUNT FULL YOKE

Shortest Height 43  $\frac{1}{4}$ "



Front View

Side View



Backplate



St. James  
LIGHTING

SCALE: N.T.S.	DRAFT: T. Herring
FILE: BRUG	APP'D: J. Ragan
JOB: X	DATE: 4-28-2023

Lights are handcrafted.  
Dimensions may vary by 1/4"

B.T.U. Rating  
Natural Gas: 5460 B.T.U.  
Propane: 4160 B.T.U.