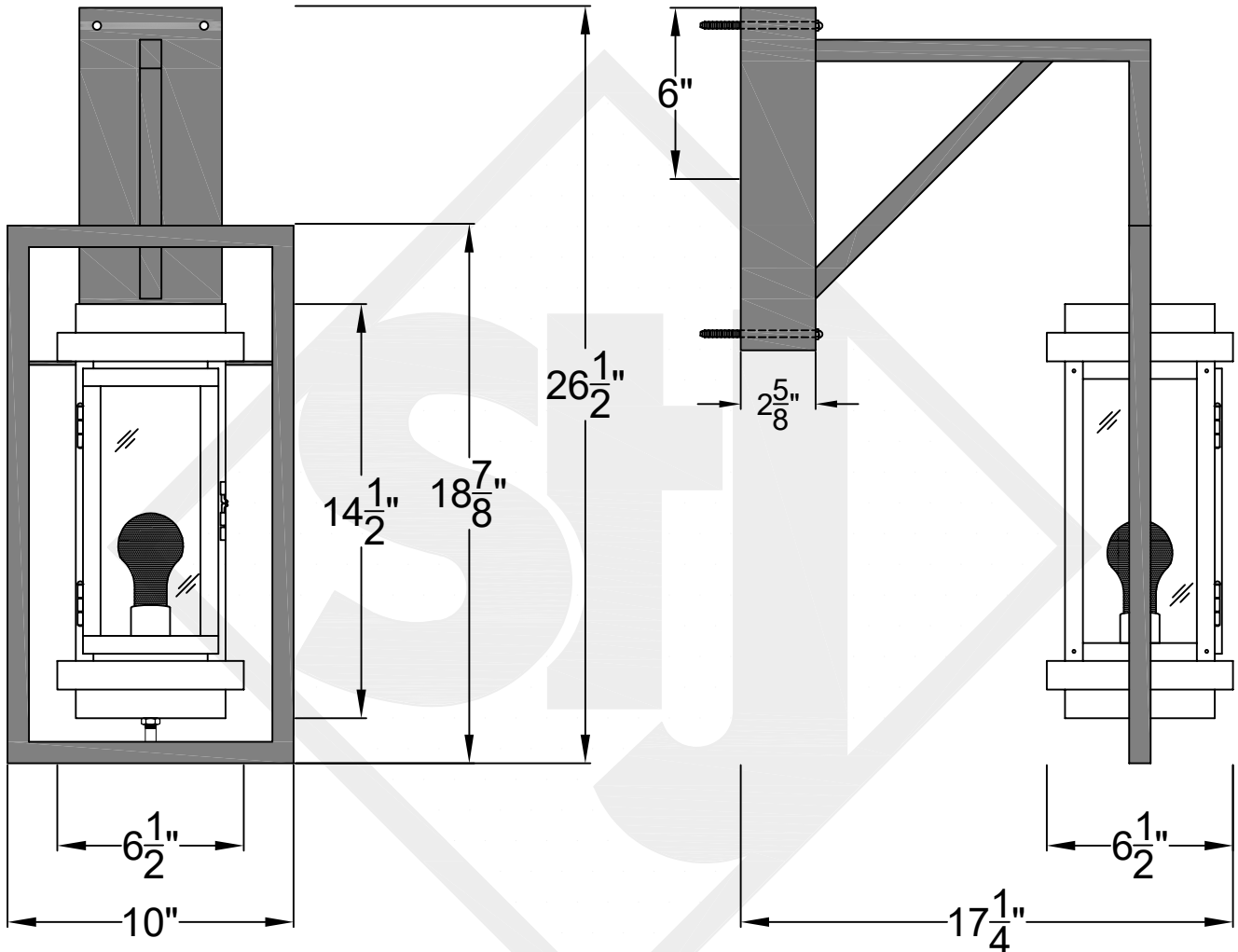


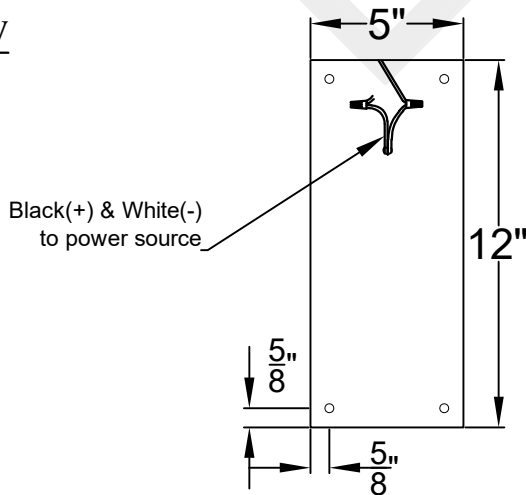
WINNIPEG MINI WALL MOUNT FULL YOKE

Shortest Height $22\frac{3}{4}$ "



Front View

Side View



Backplate



**St. James
LIGHTING**

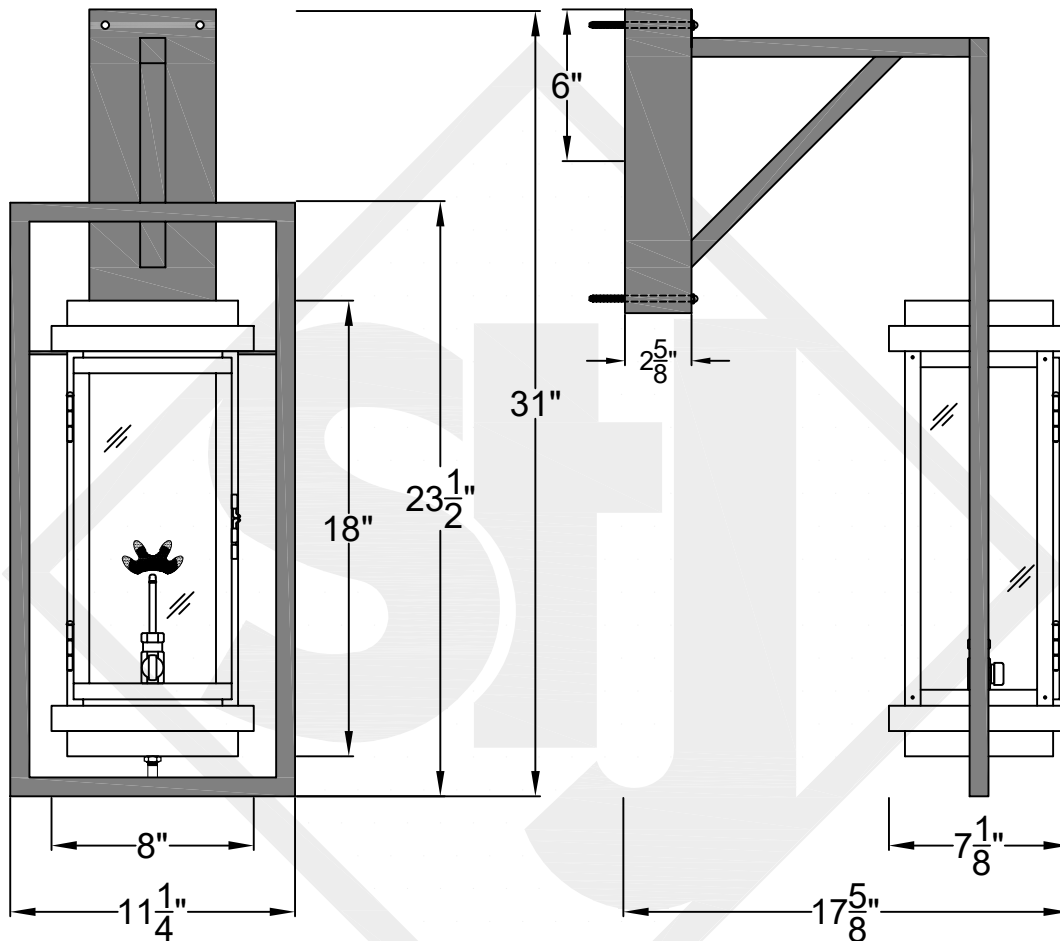
| | |
|---------------|-------------------|
| SCALE: N.T.S. | DRAFT: T. Herring |
| FILE: WINMINI | APP'D: J. Ragan |
| JOB: X | DATE: 8-29-2023 |

Lights are handcrafted.
Dimensions may vary by 1/4"

Mini not Available in Gas
UL Certified
Candelabra- Max 60 Watt Bulb
Edison- Max 660 Watt Bulb

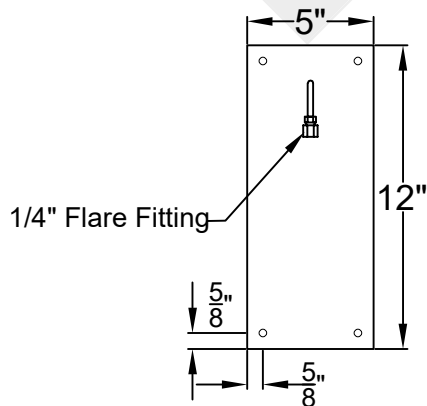
WINNIPEG SMALL WALL MOUNT FULL YOKE

Shortest Height 29 $\frac{1}{2}$ "



Front View

Side View



Backplate



St. James
LIGHTING

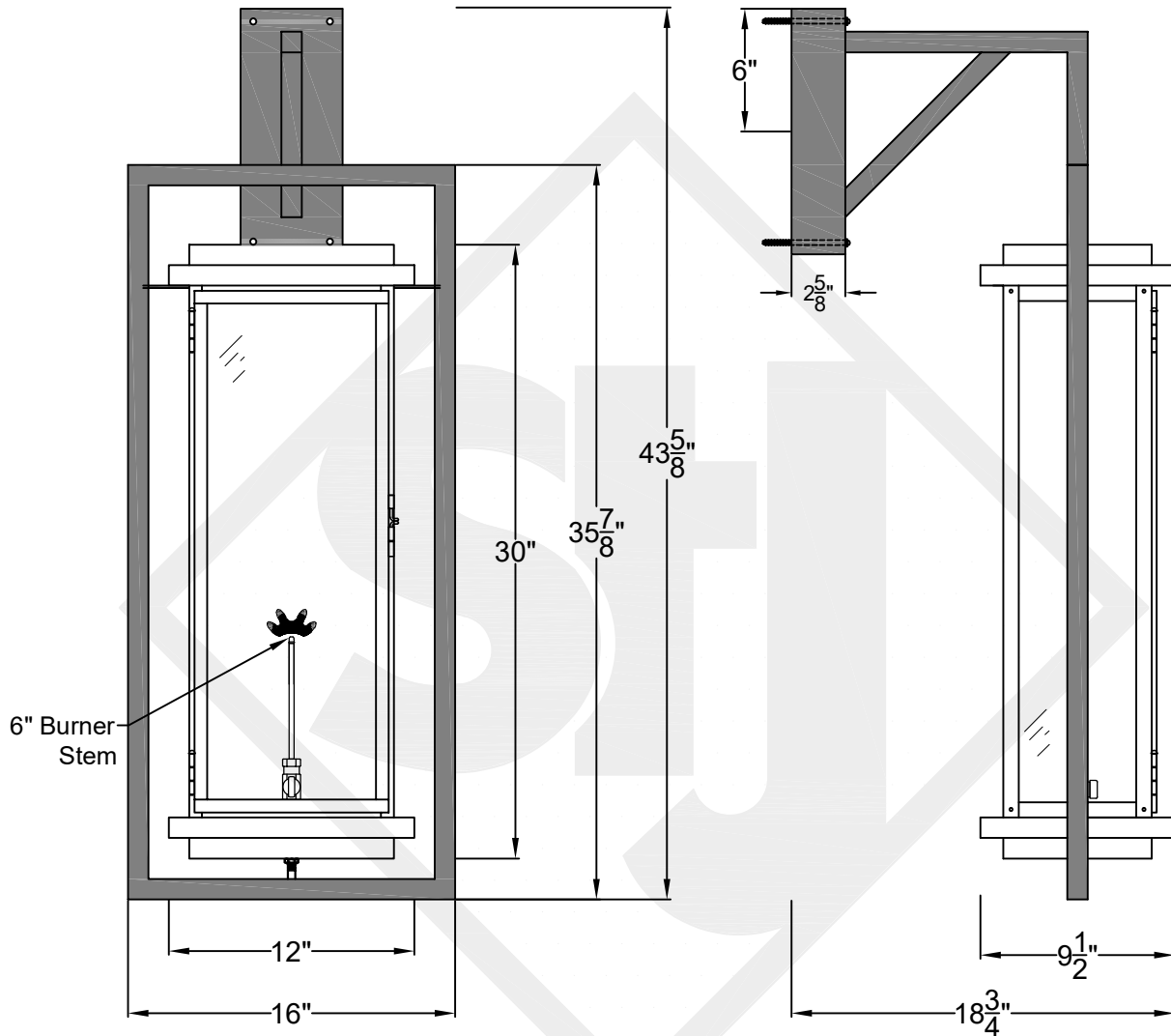
| | |
|---------------|-------------------|
| SCALE: N.T.S. | DRAFT: T. Herring |
| FILE: WINS | APP'D: J. Ragan |
| JOB: X | DATE: 8-29-2023 |

Lights are handcrafted.
Dimensions may vary by 1/4"

B.T.U. Rating
Natural Gas: 2730 B.T.U.
Propane: 2080 B.T.U.

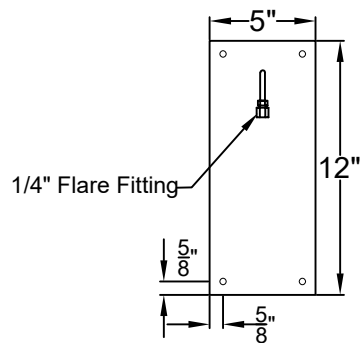
WINNIPEG LARGE WALL MOUNT FULL YOKE

Shortest Height $42\frac{1}{8}"$



Front View

Side View



Backplate



**St. James
LIGHTING**

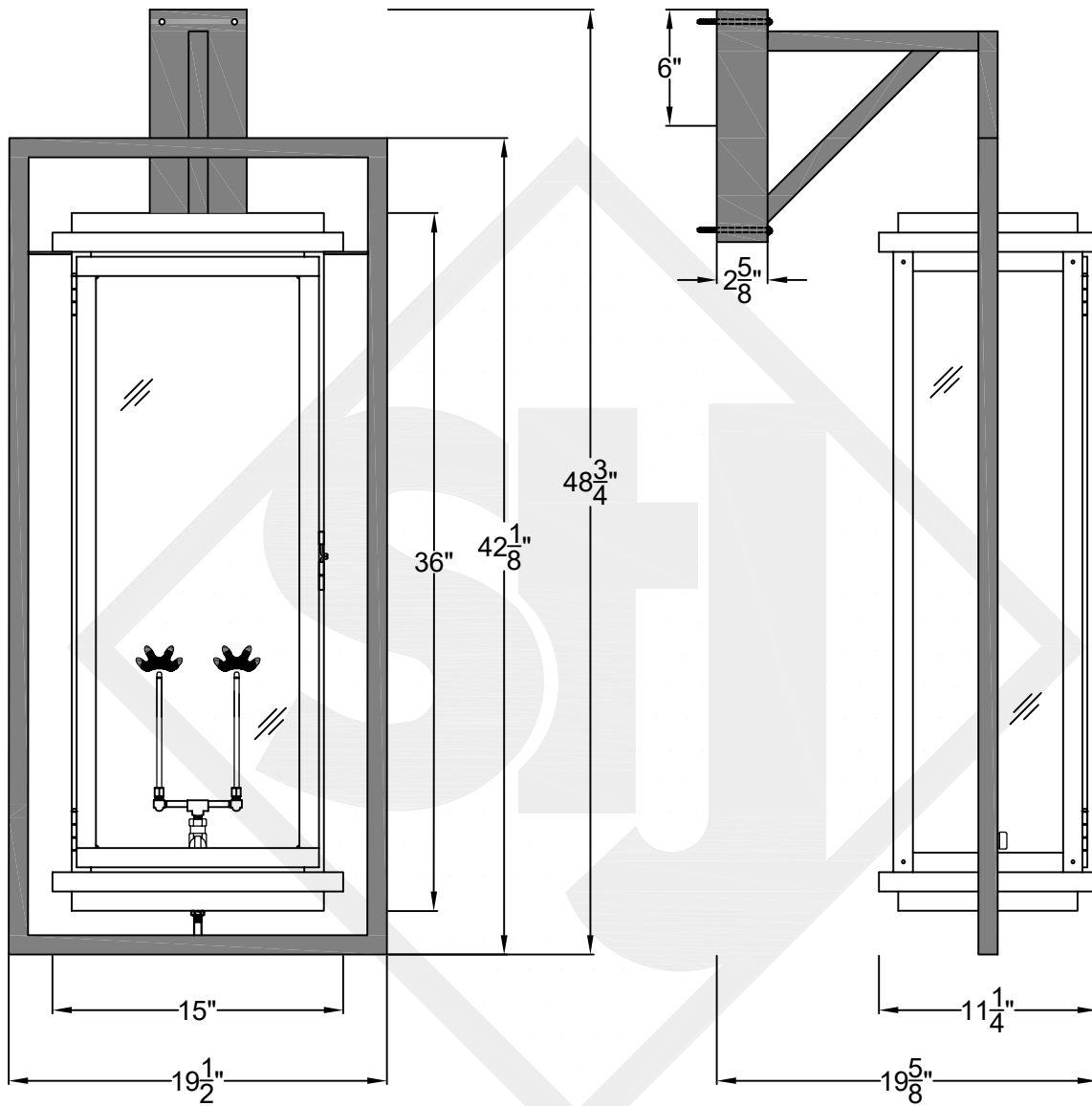
| | |
|---------------|----------------------|
| SCALE: N.T.S. | DRAFT: Y. McCullough |
| FILE: WINL | APP'D: J. Ragan |
| JOB: X | DATE: 12/6/23 |

Lights are handcrafted.
Dimensions may vary by 1/4"

B.T.U. Rating
Natural Gas: 2730 B.T.U.
Propane: 2080 B.T.U.

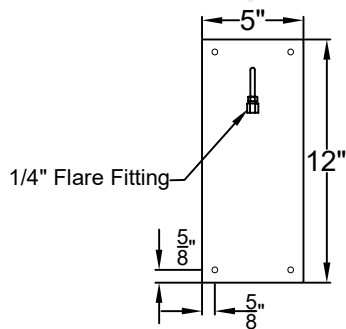
WINNIPEG GRANDE WALL MOUNT FULL YOKE

Shortest Height 48 $\frac{1}{4}$ "



Front View

Side View



Backplate



**St. James
LIGHTING**

| | |
|---------------|----------------------|
| SCALE: N.T.S. | DRAFT: Y. McCullough |
| FILE: WING | APP'D: J. Ragan |
| JOB: X | DATE: 12/6/23 |

Lights are handcrafted.
Dimensions may vary by 1/4"

B.T.U. Rating
Natural Gas: 5460 B.T.U.
Propane: 4160 B.T.U.