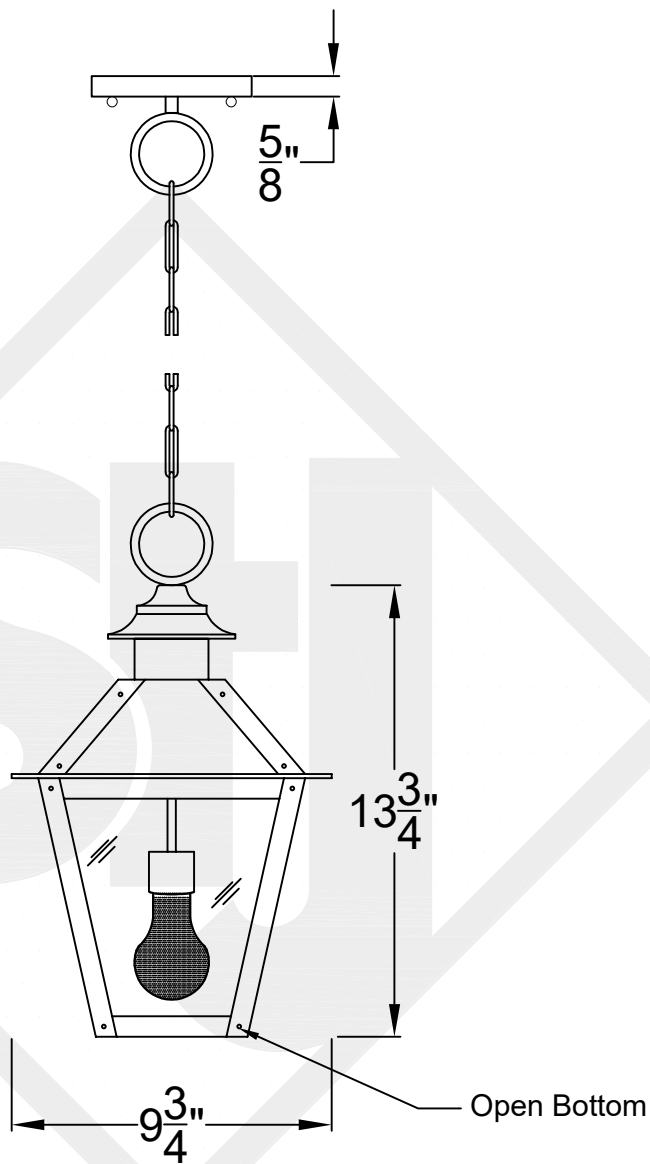


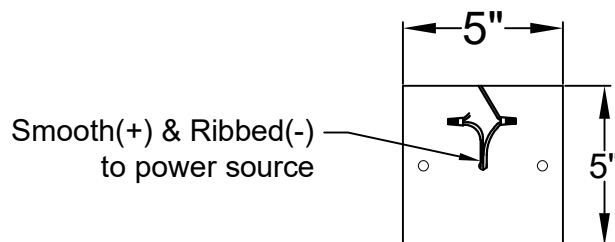
MAGNOLIA MINI CHAIN HUNG PENDANT

Available w/ Solid
or Glass Top

Comes standard
w/ 6' of chain



Front View



Ceiling Mount



St. James
LIGHTING

SCALE: N.T.S.	DRAFT: T. Herring
FILE: MAGMINI	APP'D: J. Ragan
JOB: X	DATE: 3-8-2023

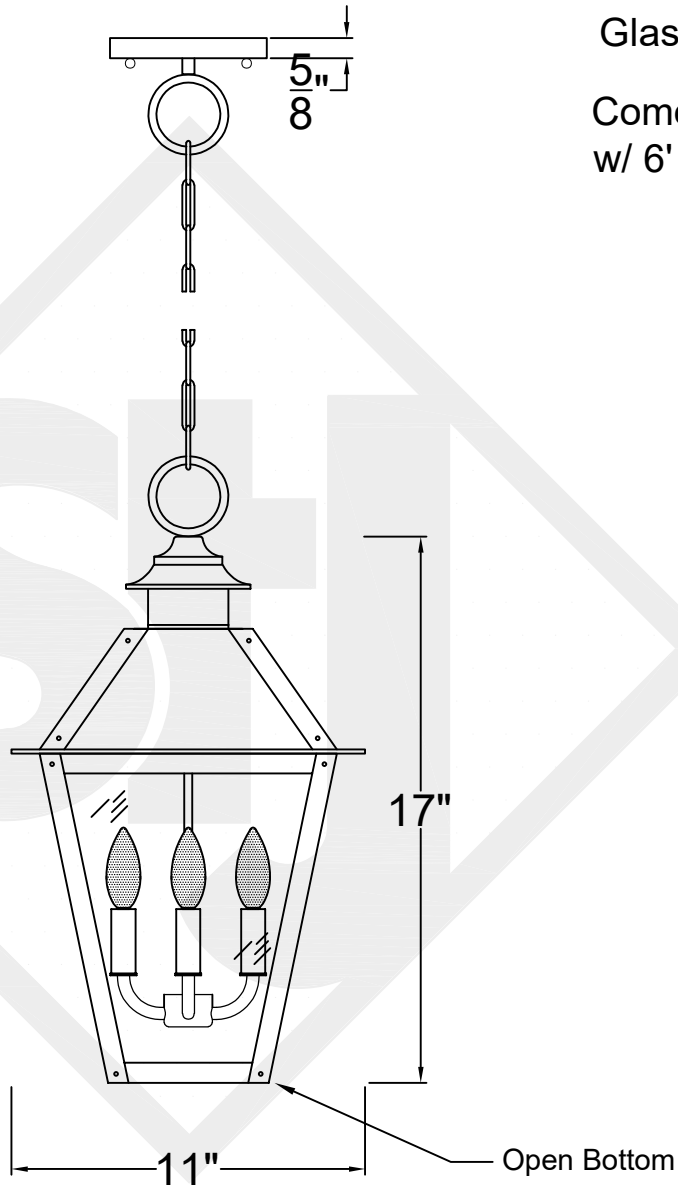
Lights are handcrafted.
Dimensions may vary by 1/4"

UL Certified
Candelabra- Max 60 Watt Bulb
Edison- Max 660 Watt Bulb

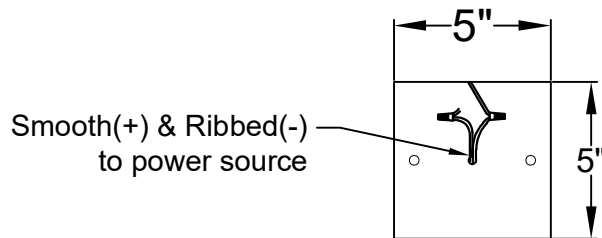
MAGNOLIA SMALL CHAIN HUNG PENDANT

Available w/ Solid or
Glass Top

Comes standard
w/ 6' of chain



Front View



Ceiling Mount



St. James
LIGHTING

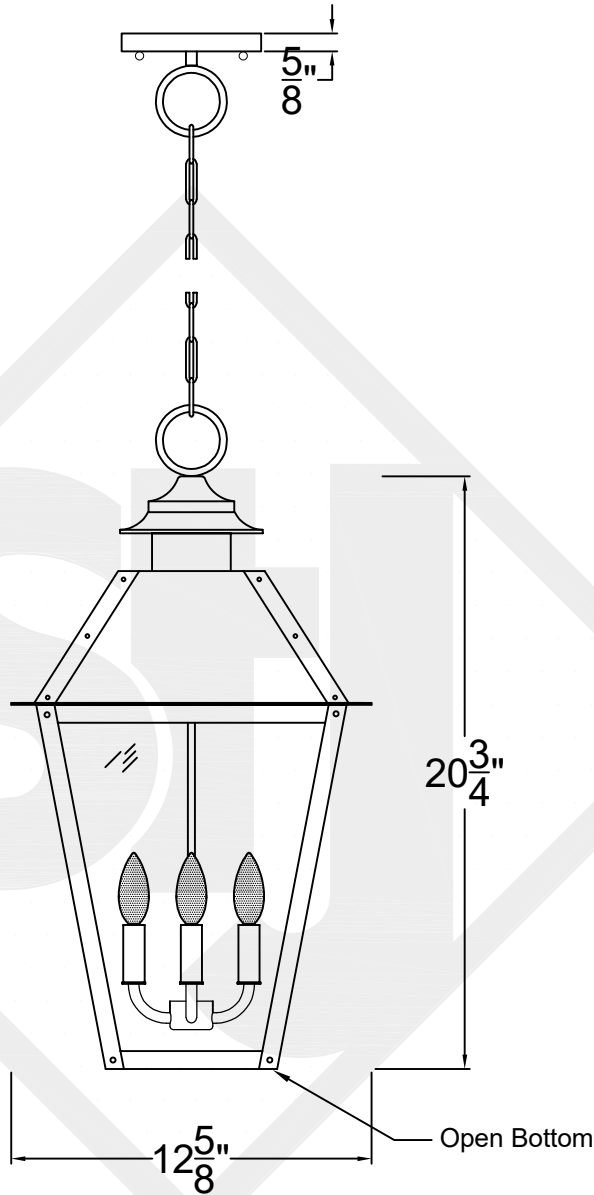
SCALE: N.T.S.	DRAFT: T. Herring
FILE: MAGS	APP'D: J. Ragan
JOB: X	DATE: 8-7-2023

Lights are handcrafted.
Dimensions may vary by 1/4"

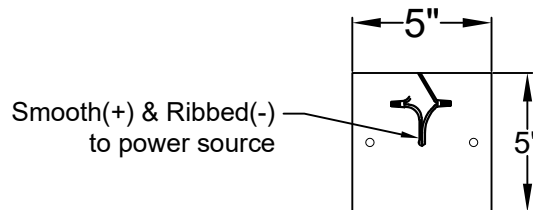
UL Certified
Candelabra- Max 60 Watt Bulb
Edison- Max 660 Watt Bulb

MAGNOLIA MEDIUM CHAIN HUNG PENDANT

Available w/ Solid
or Glass Top
Comes standard
w/ 6' of chain



Front View



Ceiling Mount



St. James
LIGHTING

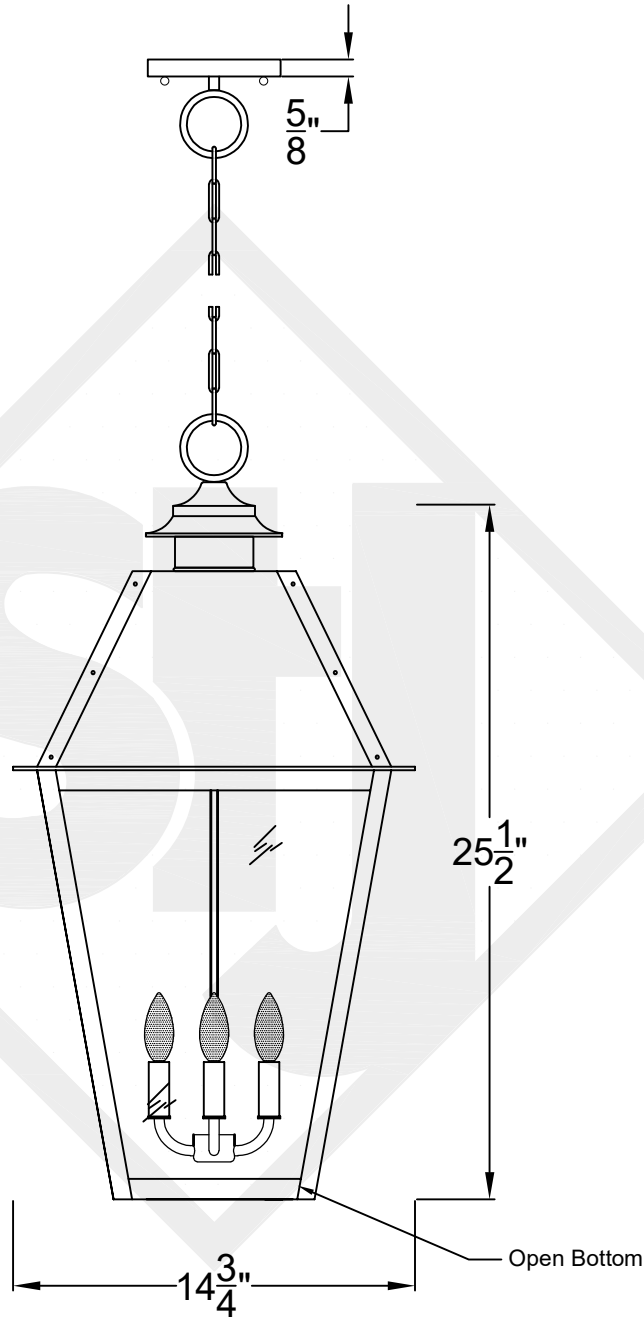
SCALE: N.T.S.	DRAFT: T. Herring
FILE: MAGM	APP'D: J. Ragan
JOB: X	DATE: 8-17-2023

Lights are handcrafted.
Dimensions may vary by 1/4"

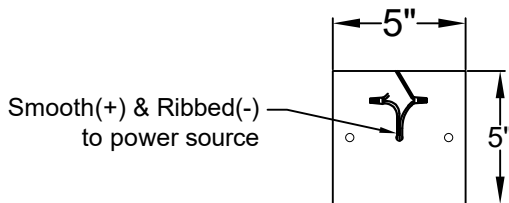
UL Certified
Candelabra- Max 60 Watt Bulb
Edison- Max 660 Watt Bulb

MAGNOLIA LARGE CHAIN HUNG PENDANT

Available w/ Solid
or Glass Top
Comes standard
w/ 6' of chain



Front View



Ceiling Mount



St. James
LIGHTING

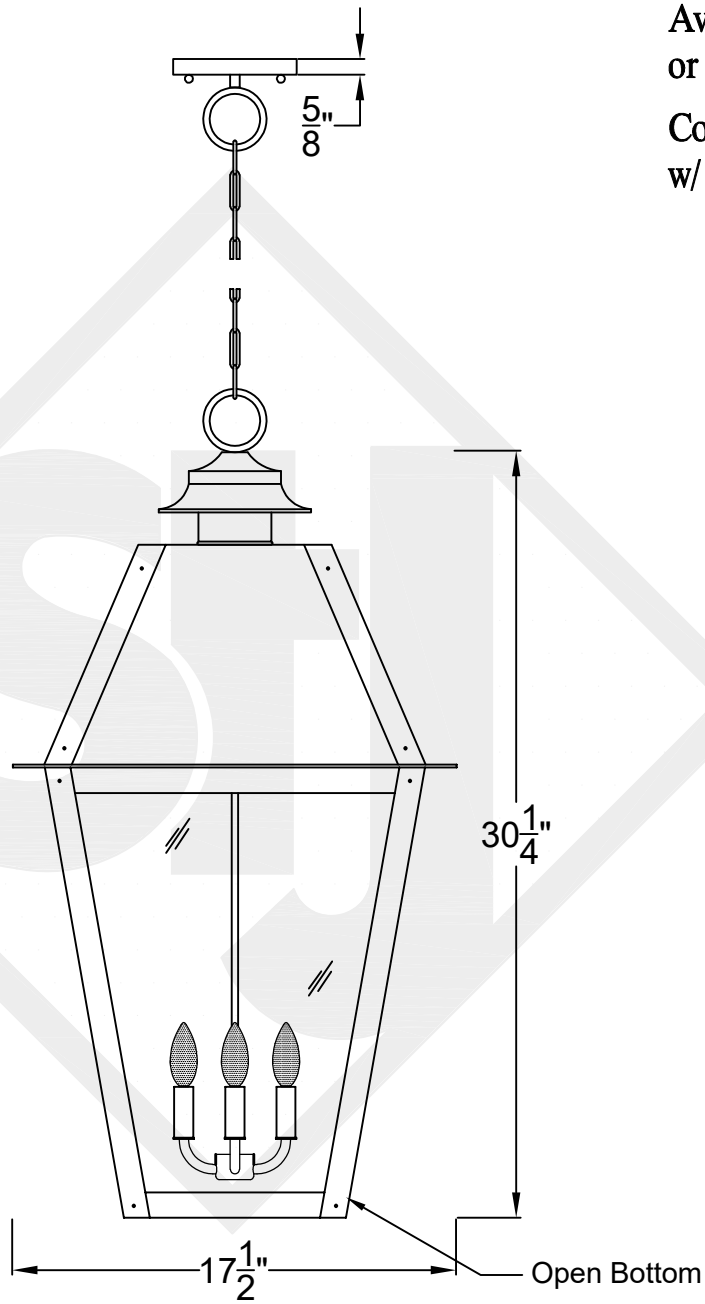
SCALE: N.T.S. DRAFT: Y. McCullough
FILE: MAGL APP'D: J. Ragan
JOB: X DATE: 11/20/23

Lights are handcrafted.
Dimensions may vary by 1/4"

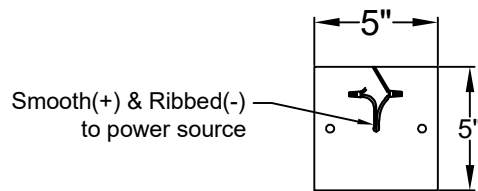
UL Certified
Candelabra- Max 60 Watt Bulb
Edison- Max 660 Watt Bulb

MAGNOLIA GRANDE CHAIN HUNG PENDANT

Available w/ Solid
or Glass Top
Comes standard
w/ 6' of chain



Front View



Ceiling Mount



St. James
LIGHTING

SCALE: N.T.S.	DRAFT: T. Herring
FILE: MAGG	APP'D: J. Ragan
JOB: X	DATE: 8-18-2023

Lights are handcrafted.
Dimensions may vary by 1/4"

UL Certified
Candelabra- Max 60 Watt Bulb
Edison- Max 660 Watt Bulb