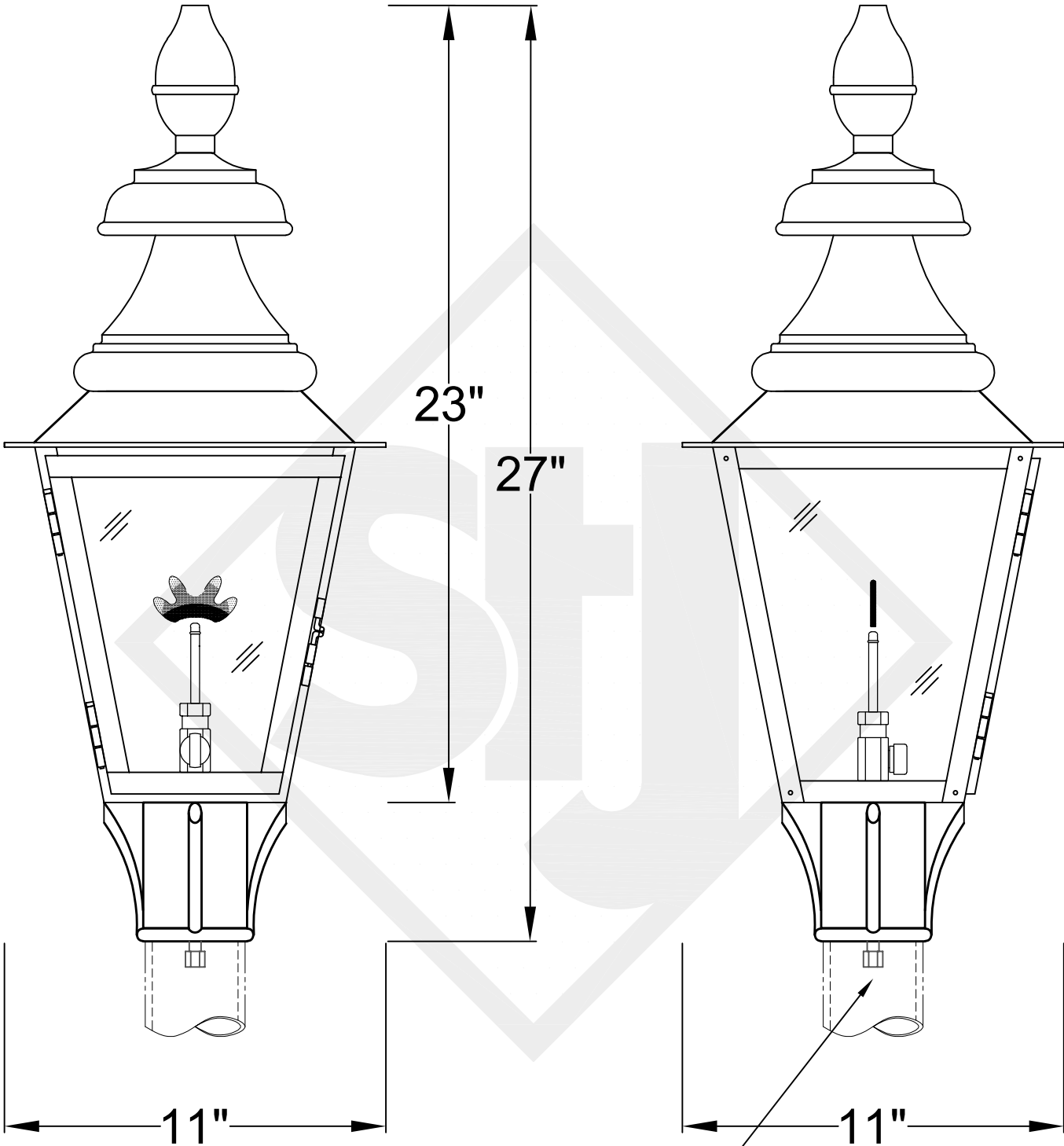



BIRMINGHAM SMALL COPPER POST MOUNT



Front View

Side View

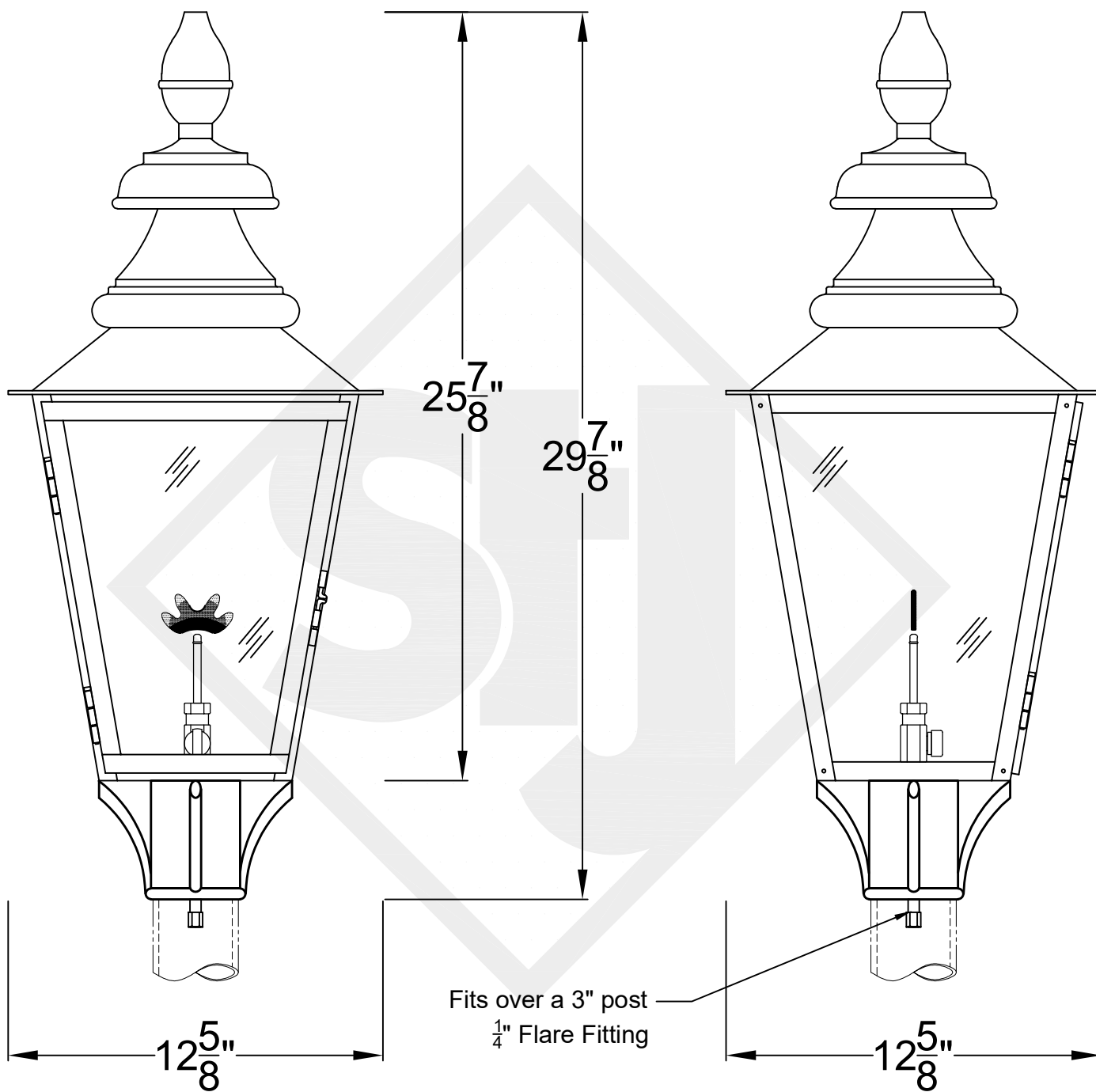
Fits over a 3" post
1/4" Flare Fitting

 St. James LIGHTING	
SCALE: N.T.S.	DRAFT: Y. McCullough
FILE: BIRS	APP'D: J. Ragan
JOB: X	DATE: 11/15/23

Lights are handcrafted.
Dimensions may vary by 1/4"

B.T.U. Rating
Natural Gas: 2730 B.T.U.
Propane: 2080 B.T.U.

BIRMINGHAM MEDIUM COPPER POST MOUNT



Front View

Side View



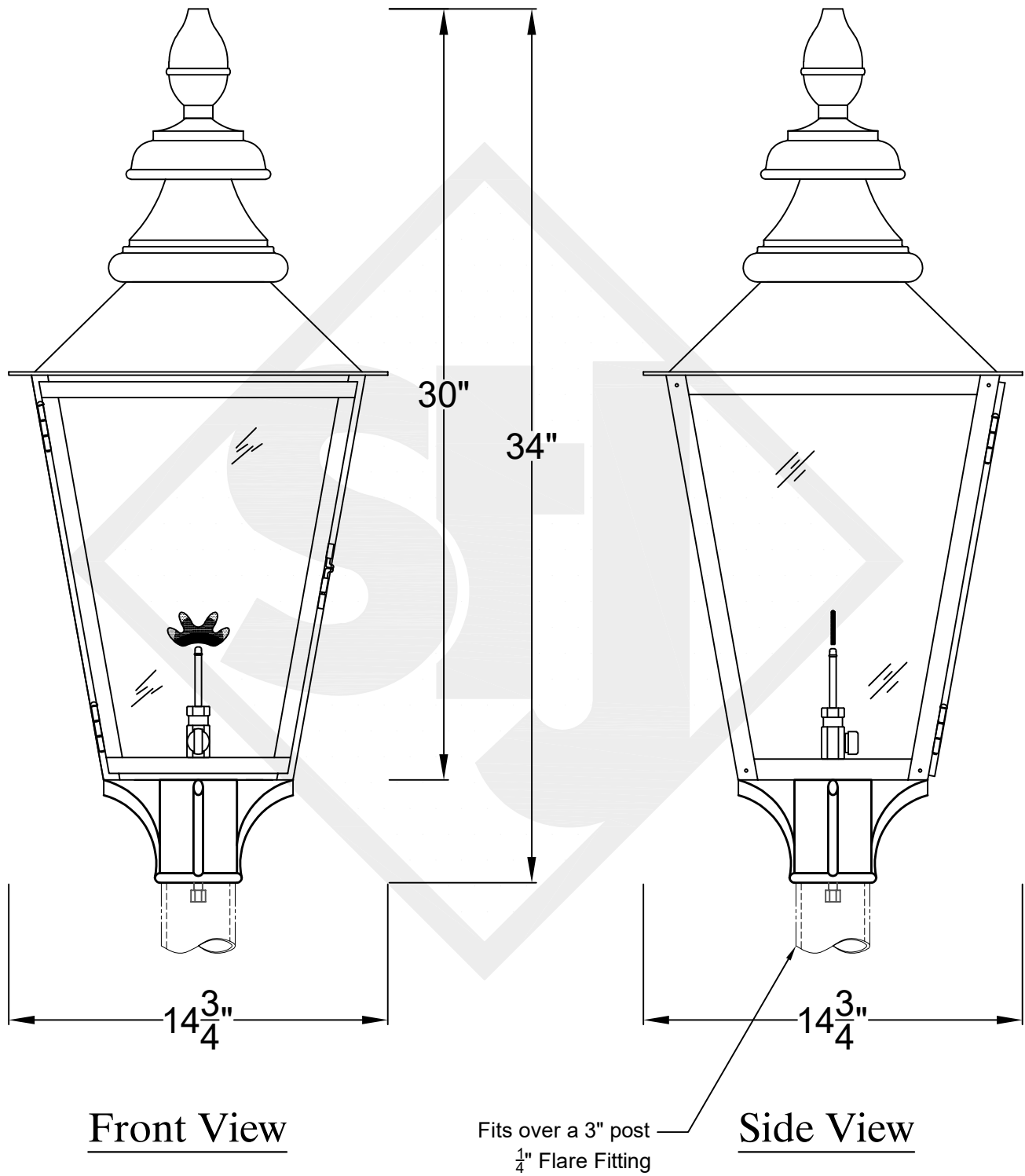
St. James
LIGHTING

SCALE: N.T.S.	DRAFT: T. Herring
FILE: BIRM	APP'D: J. Ragan
JOB: X	DATE: 4-10-2023

Lights are handcrafted.
Dimensions may vary by 1/4"

B.T.U. Rating
Natural Gas: 2730 B.T.U.
Propane: 2080 B.T.U.

BIRMINGHAM LARGE COPPER POST MOUNT



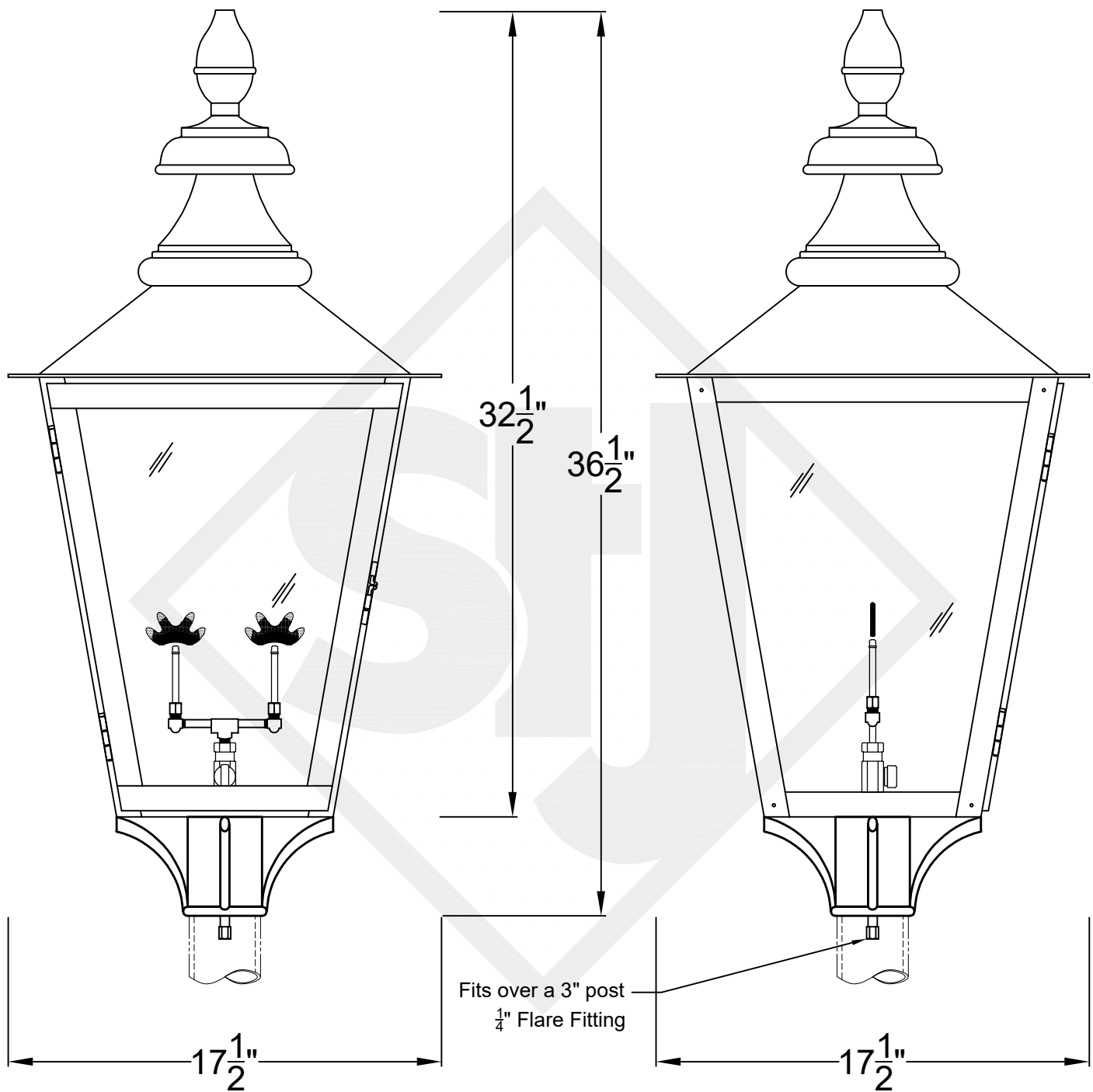
**St. James
LIGHTING**

SCALE: N.T.S.	DRAFT: T. Herring
FILE: BIRL	APP'D: J. Ragan
JOB: X	DATE: 4-12-2023

Lights are handcrafted.
Dimensions may vary by 1/4"

B.T.U. Rating
Natural Gas: 2730 B.T.U.
Propane: 2080 B.T.U.

BIRMINGHAM GRANDE COPPER POST MOUNT



Front View

Side View



St. James
LIGHTING

SCALE: N.T.S.	DRAFT: Y. McCullough
FILE: BIRG	APP'D: J. Ragan
JOB: X	DATE: 11/15/23

Lights are handcrafted.
Dimensions may vary by 1/4"

B.T.U. Rating
Natural Gas: 5460 B.T.U.
Propane: 4160 B.T.U.