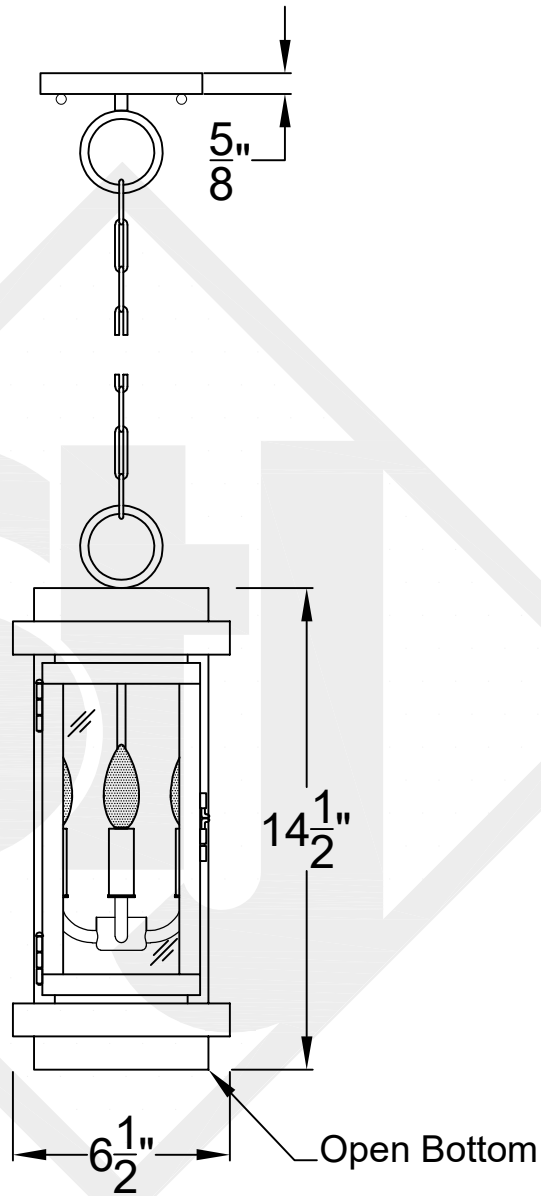
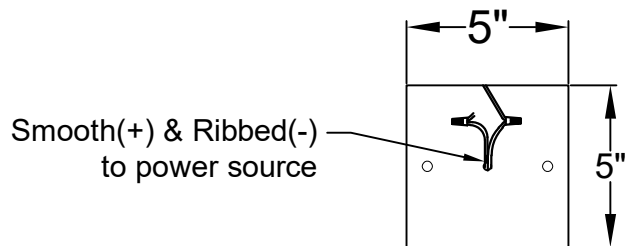


WINNIPEG MINI CHAIN HUNG PENDANT

Comes standard
w/ 6' of chain



Front View



Ceiling Mount



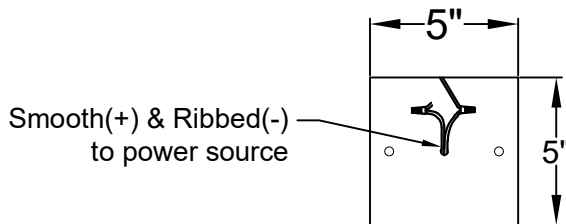
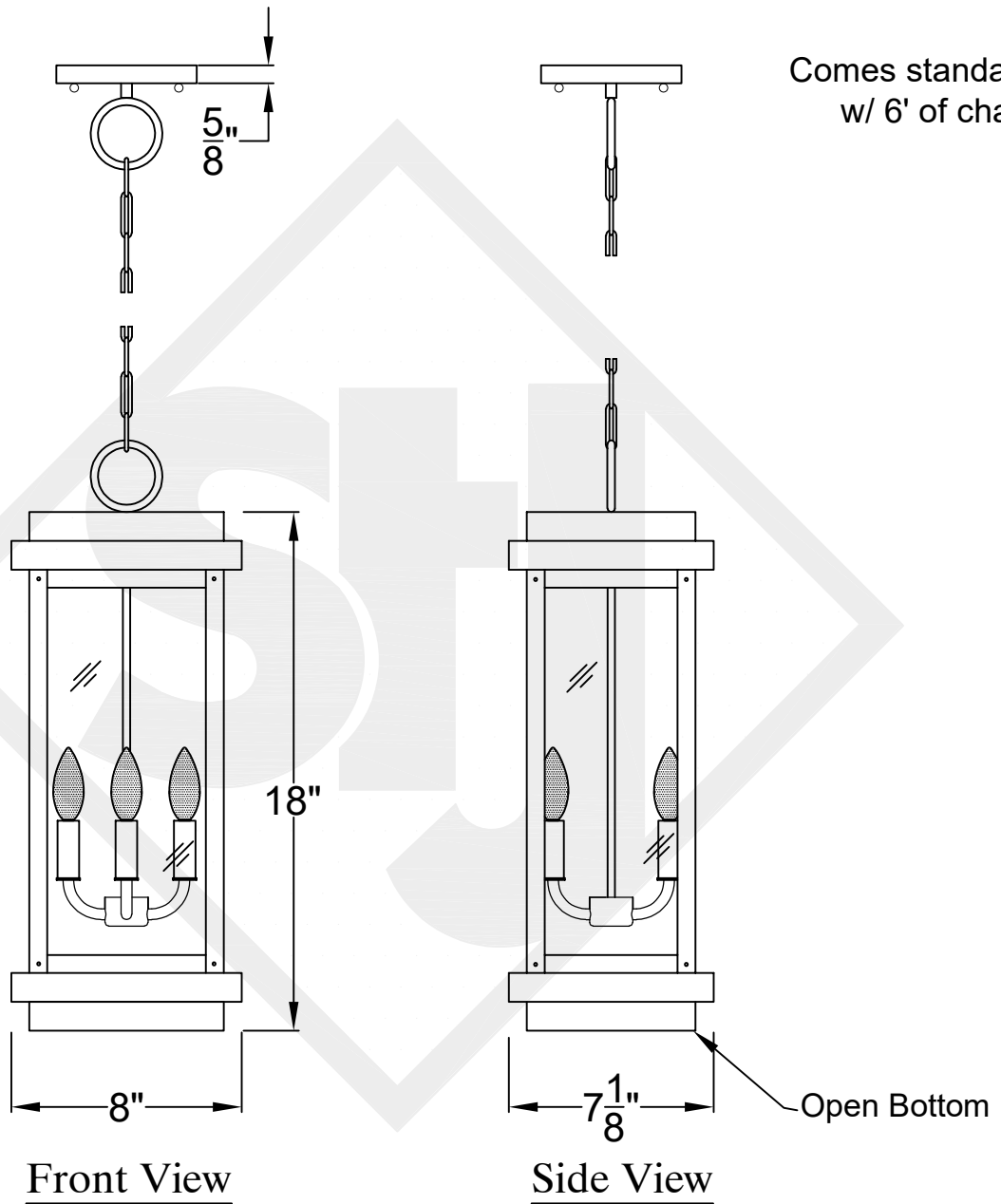
St. James
LIGHTING

SCALE: N.T.S. DRAFT: T. Herring
FILE: WINMINI APP'D: J. Ragan
JOB: X DATE: 8-16-2023

Lights are handcrafted.
Dimensions may vary by 1/4"

UL Certified
Candelabra- Max 60 Watt Bulb
Edison- Max 660 Watt Bulb

WINNIPEG SMALL CHAIN HUNG PENDANT



Ceiling Mount



**St. James
LIGHTING**

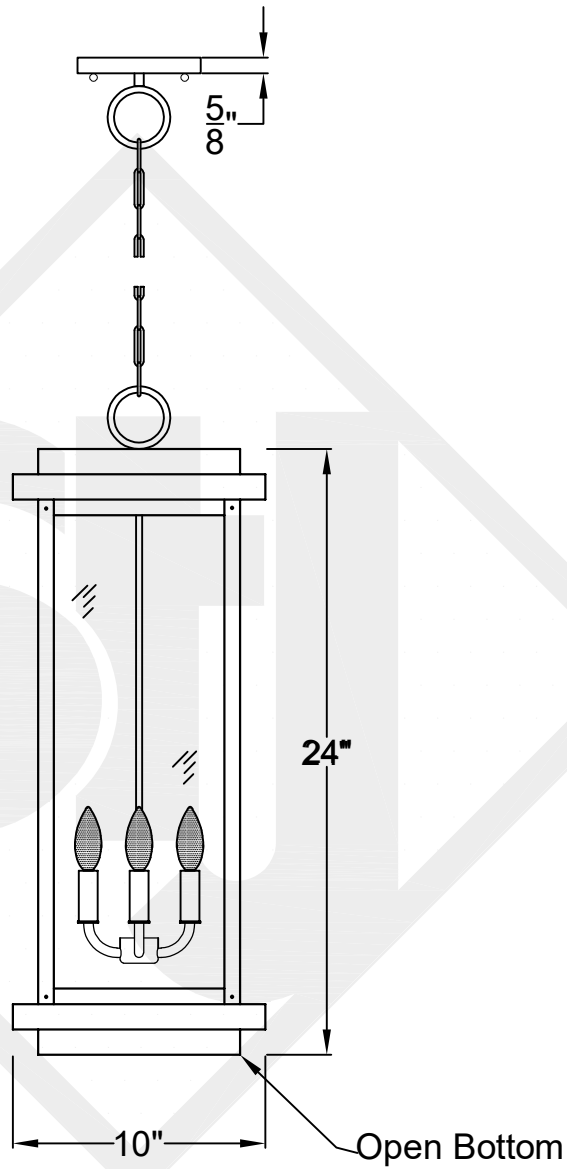
SCALE: N.T.S.	DRAFT: T. Herring
FILE: WINS	APP'D: J. Ragan
JOB: X	DATE: 8-29-2023

Lights are handcrafted.
Dimensions may vary by 1/4"

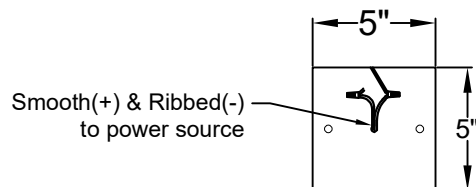
UL Certified
Candelabra- Max 60 Watt Bulb
Edison- Max 660 Watt Bulb

WINNIPEG MEDIUM CHAIN HUNG PENDANT

Comes standard
w/ 6' of chain



Front View



Ceiling Mount



**St. James
LIGHTING**

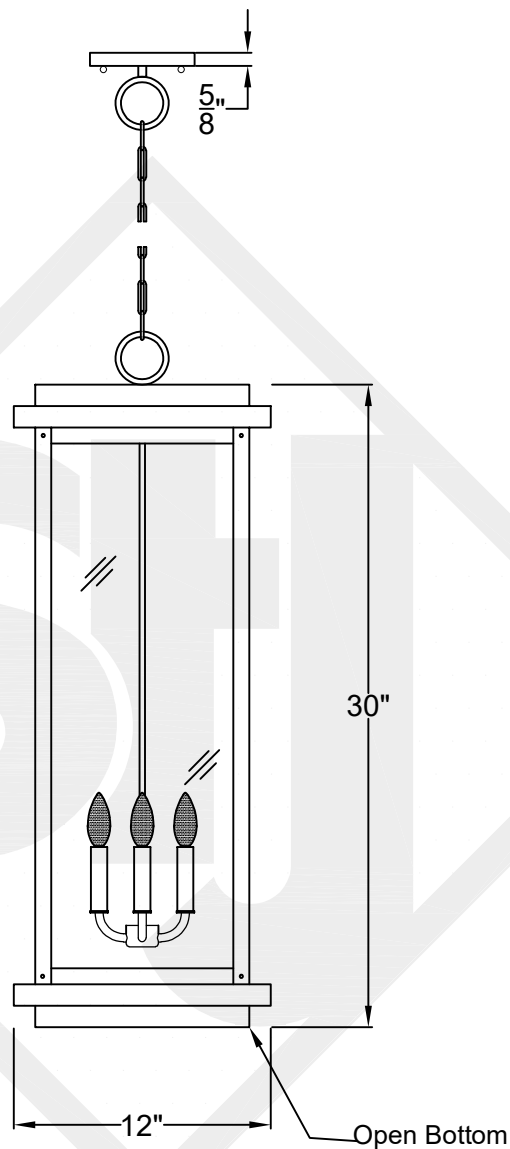
SCALE: N.T.S.	DRAFT: T. Herring
FILE: WINM	APP'D: J. Ragan
JOB: X	DATE: 8-29-2023

Lights are handcrafted.
Dimensions may vary by 1/4"

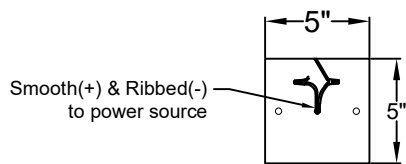
UL Certified
Candelabra- Max 60 Watt Bulb
Edison- Max 660 Watt Bulb

WINNIPEG LARGE CHAIN HUNG PENDANT

Comes standard
w/ 6' of chain



Front View



Ceiling Mount



**St. James
LIGHTING**

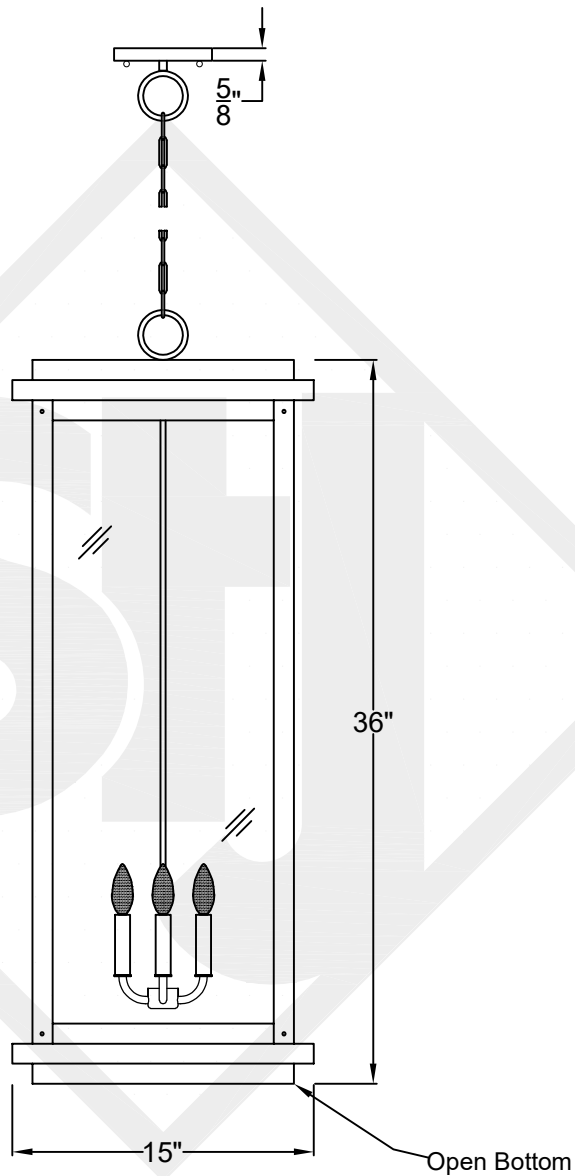
SCALE: N.T.S.	DRAFT: Y. McCullough
FILE: WINL	APP'D: J. Ragan
JOB: X	DATE: 12/6/23

Lights are handcrafted.
Dimensions may vary by 1/4"

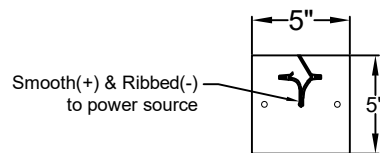
UL Certified
Candelabra- Max 60 Watt Bulb
Edison- Max 660 Watt Bulb

WINNIPEG GRANDE CHAIN HUNG PENDANT

Comes standard
w/ 6' of chain



Front View



Ceiling Mount



St. James
LIGHTING

SCALE: N.T.S.	DRAFT: T. Herring
FILE: WING	APP'D: J. Ragan
JOB: X	DATE: 8-29-2023

Lights are handcrafted.
Dimensions may vary by 1/4"

UL Certified
Candelabra- Max 60 Watt Bulb
Edison- Max 660 Watt Bulb