

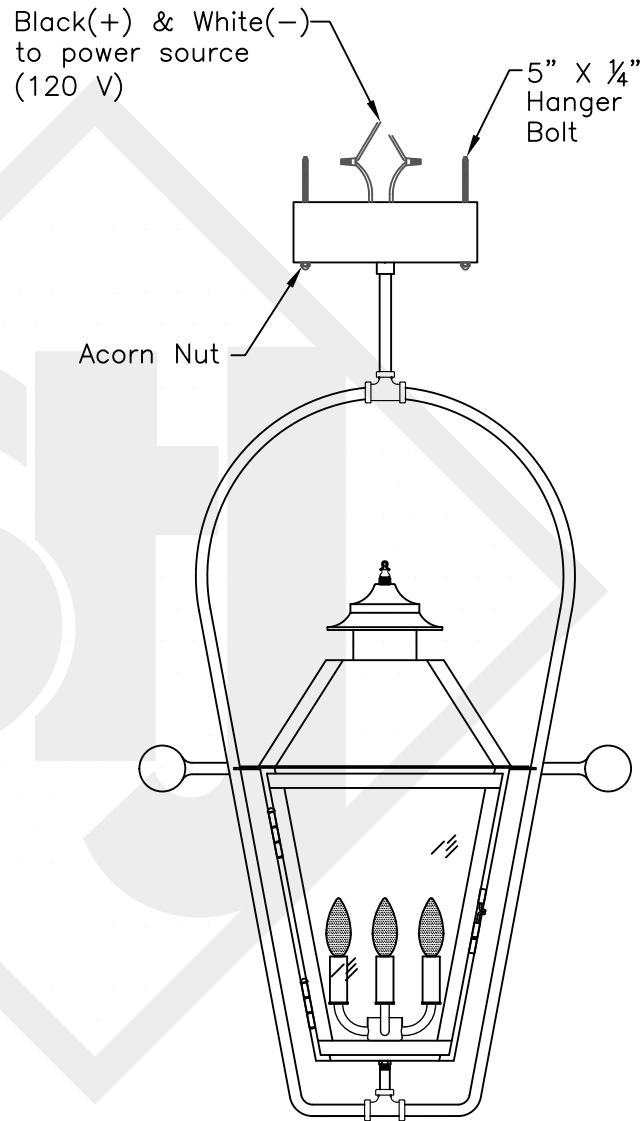
TYPICAL INSTALLATION INSTRUCTIONS

CEILING FULL YOKE – ELECTRIC

Applies to all Ceiling Full Yoke mounted lanterns
Sizes : Mini, Small, Medium, large & Grande

Light Supplied w/
4–Acorn Nut
4–5" X ¼" Hanger Bolt


Screw hanger bolts into the ceiling (Anchors may be needed for Brick/Stone application) leaving enough to penetrate through the holes in the Mounting Bracket. Connect wires to power source, Black to Black & White to white. Position light over the hanger bolts and attach the acorn nuts, tightening to securely mount light.



Front View

CAUTION: Risk of fire or electric shock

This product is to be installed by a qualified Electrician ONLY.
Installation must conform with all local codes or, in the absence of local codes, to the standard for Incandescent Lighting Fixtures ANSI/UL 1598

Typical Install Ceiling Full Yoke	
 St. James LIGHTING	
SCALE: N.T.S.	DRAFT: B. Vial
FILE: INSTALL	APP'D: J. Ragon
JOB: X	DATE: 02/20/18