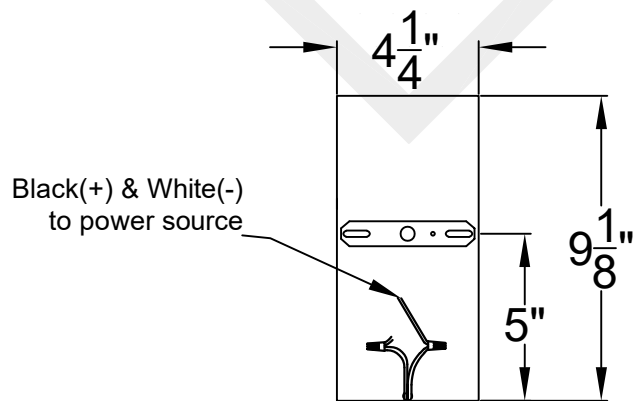
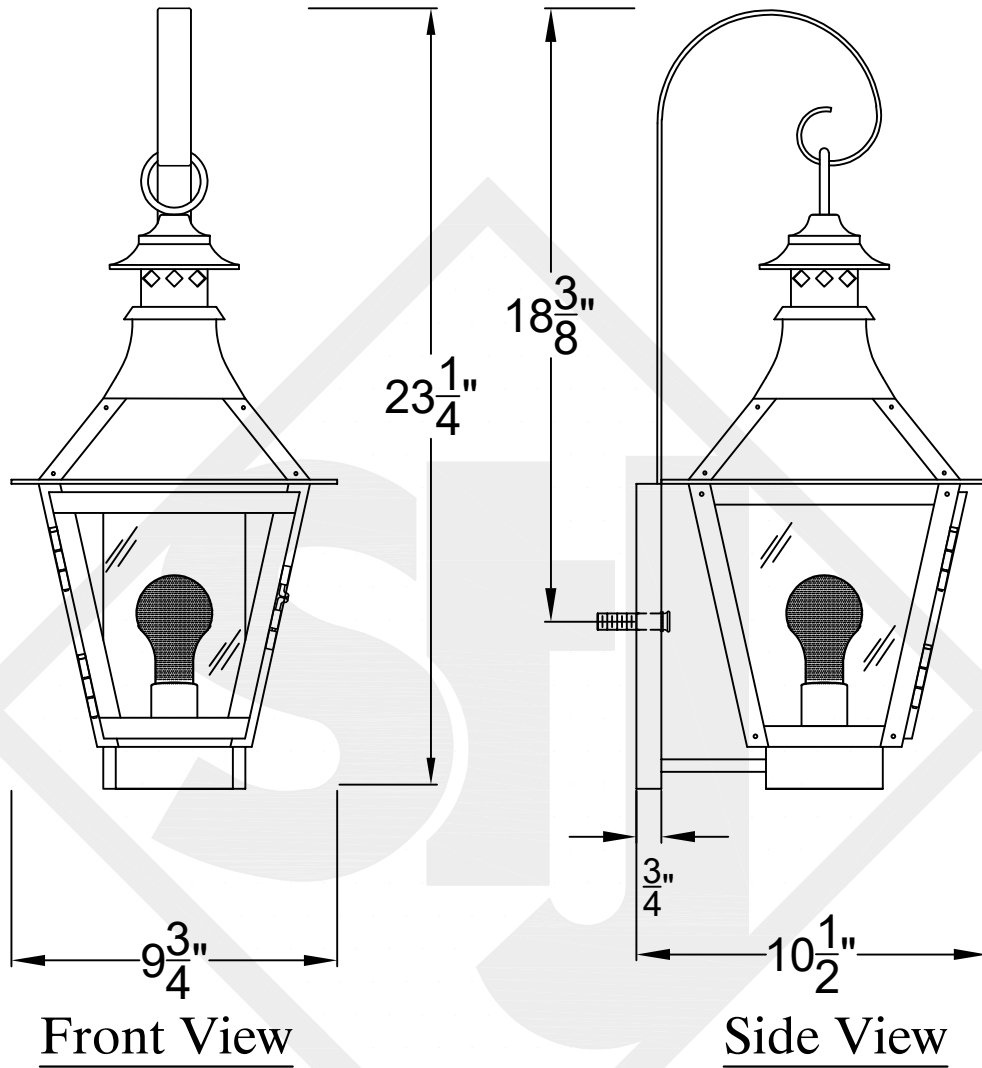


CHESAPEAKE MINI COPPER WALL BRACKET

Available in Solid
or Glass Top



St. James
LIGHTING

SCALE: N.T.S.	DRAFT: T. Herring
FILE: CHEMINI	APP'D: J. Ragan
JOB: X	DATE: 3-30-2023

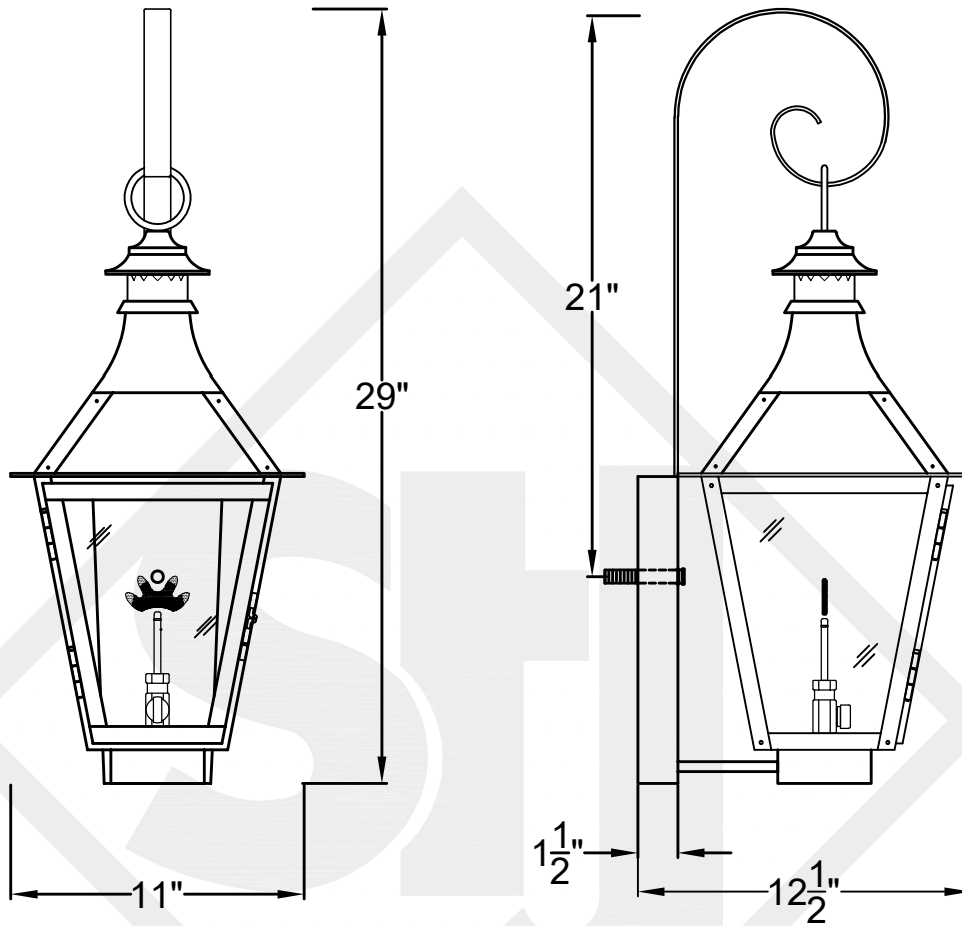
Lights are handcrafted.
Dimensions may vary by 1/4"

Mini not Available in Gas

UL Certified
Candelabra- Max 60 Watt Bulb
Edison- Max 660 Watt Bulb

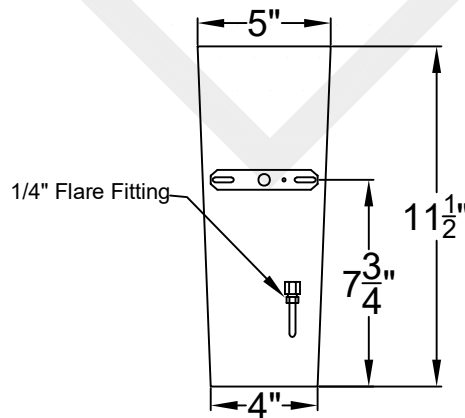
CHESAPEAKE SMALL COPPER WALL BRACKET

Available in Solid
or Glass Top



Front View

Side View



Backplate



St. James
LIGHTING

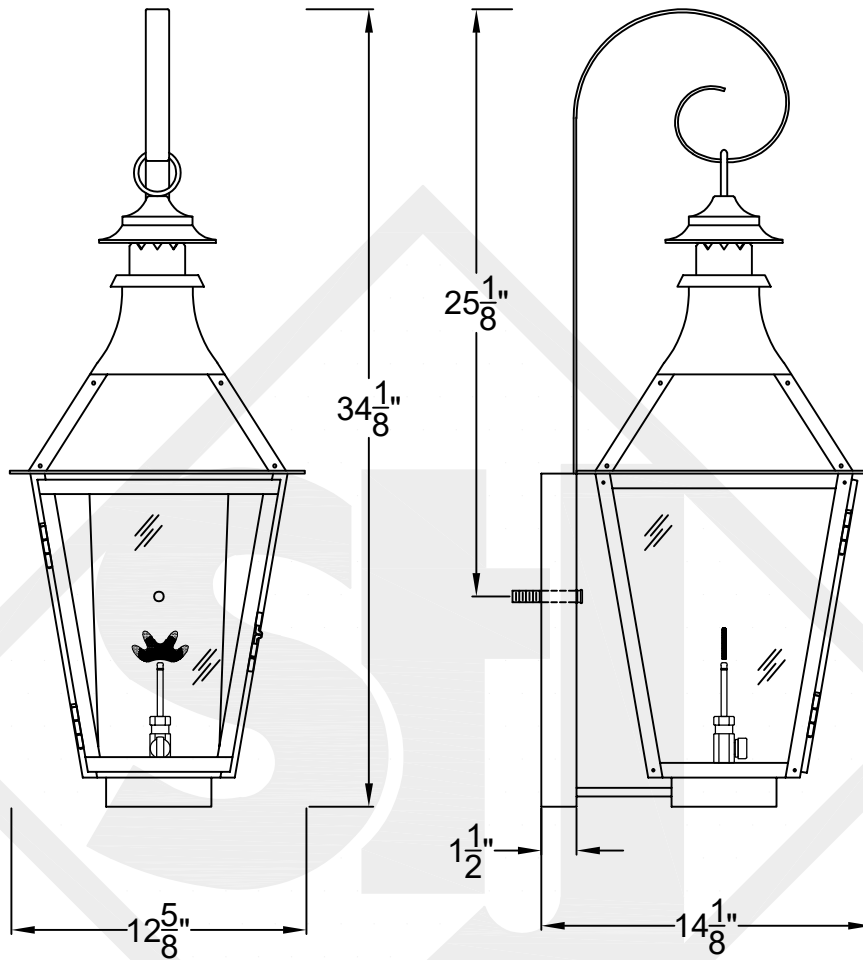
SCALE: N.T.S.	DRAFT: J. Grippo
FILE: CHES	APP'D: J. Ragan
JOB: X	DATE: 11-15-2023

Lights are handcrafted.
Dimensions may vary by 1/4"

B.T.U. Rating
Natural Gas: 2730 B.T.U.
Propane: 2080 B.T.U.

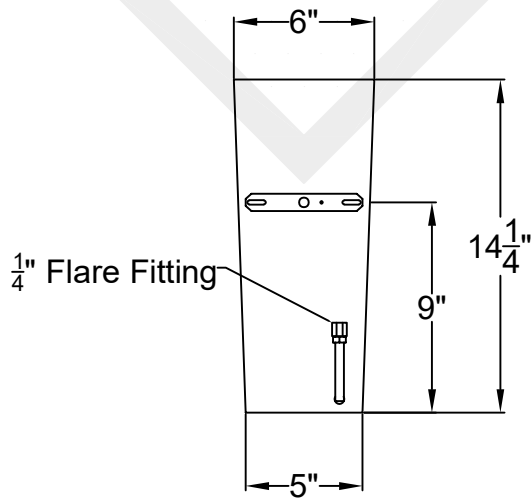
CHESAPEAKE MEDIUM COPPER WALL BRACKET

Available in Solid
or Glass Top



Front View

Side View



Backplate



St. James
LIGHTING

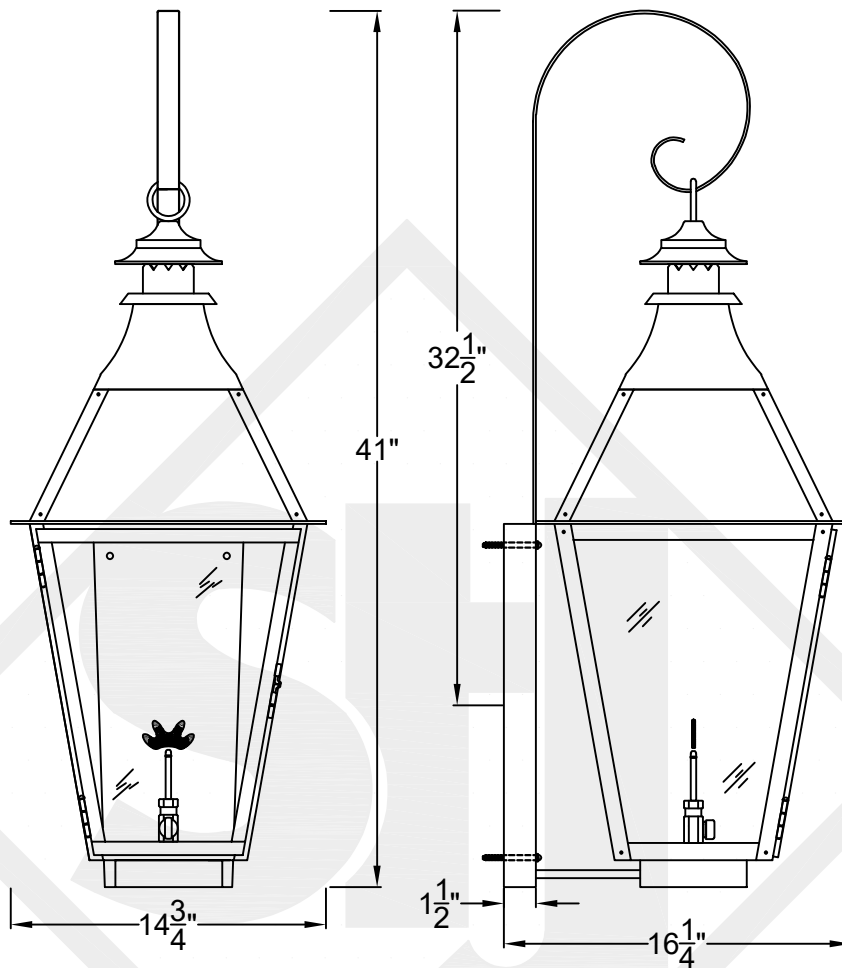
SCALE: N.T.S.	DRAFT: T. Herring
FILE: CHEM	APP'D: J. Ragan
JOB: X	DATE: 4-3-2023

Lights are handcrafted.
Dimensions may vary by 1/4"

B.T.U. Rating
Natural Gas: 2730 B.T.U.
Propane: 2080 B.T.U.

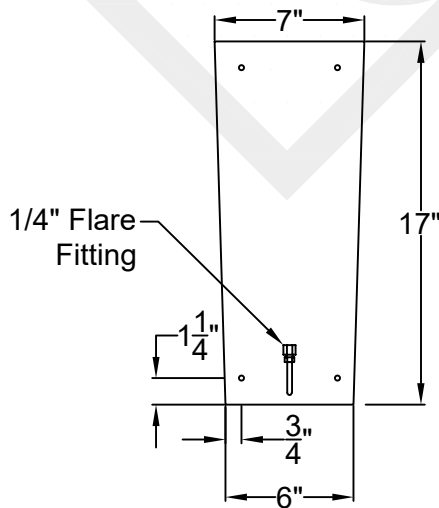
CHESAPEAKE LARGE COPPER WALL BRACKET

Available in Solid
or Glass Top



Front View

Side View



Backplate



**St. James
LIGHTING**

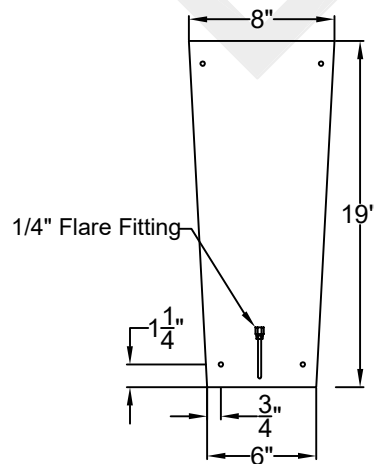
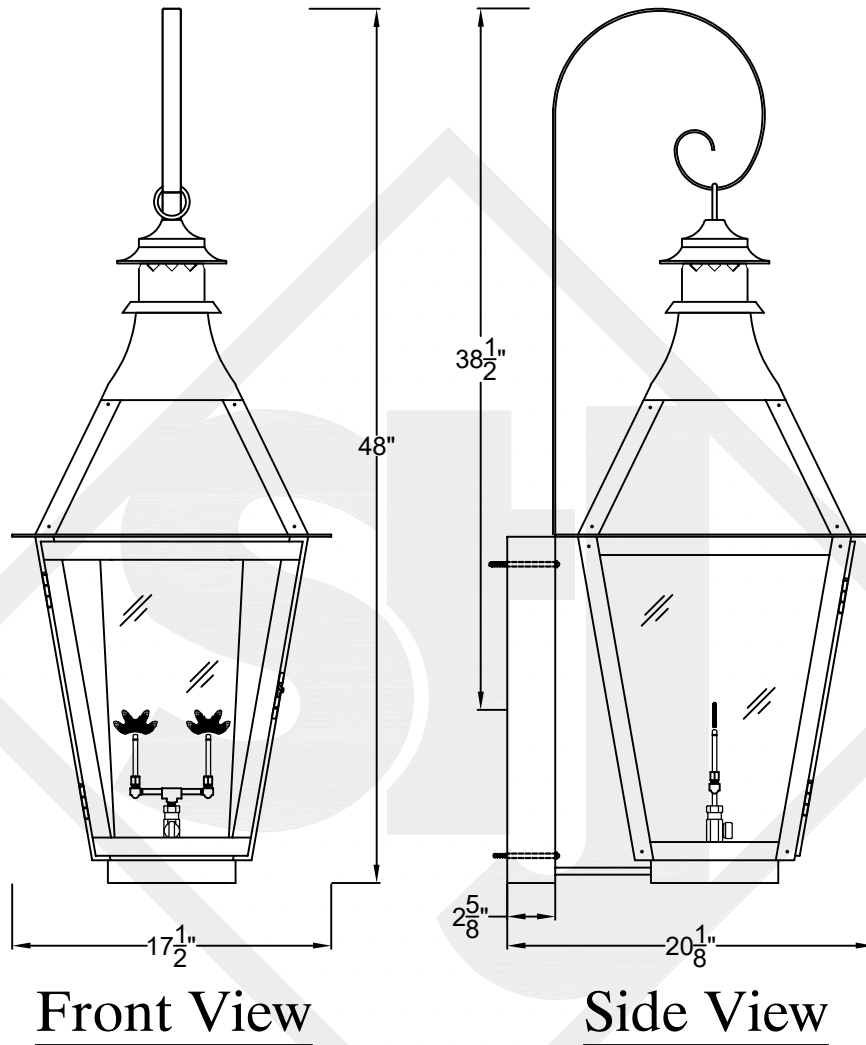
SCALE: N.T.S.	DRAFT: Y. McCullough
FILE: CHEL	APP'D: J. Ragan
JOB: X	DATE: 11/18/23

Lights are handcrafted.
Dimensions may vary by 1/4"

B.T.U. Rating
Natural Gas: 2730 B.T.U.
Propane: 2080 B.T.U.

CHESAPEAKE GRANDE COPPER WALL BRACKET

Available w/ Solid
or Glass Top



Backplate



St. James
LIGHTING

SCALE: N.T.S.	DRAFT: Y. McCullough
FILE: CHEG	APP'D: J. Ragan
JOB: X	DATE: 11/18/23

Lights are handcrafted.
Dimensions may vary by 1/4"

B.T.U. Rating
Natural Gas: 5460 B.T.U.
Propane: 4160 B.T.U.