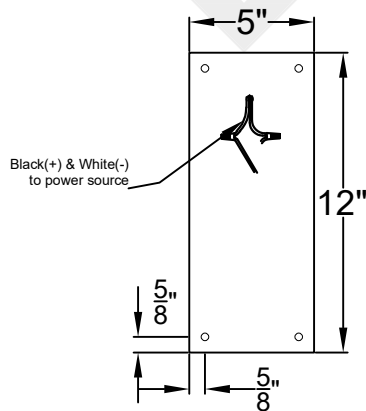
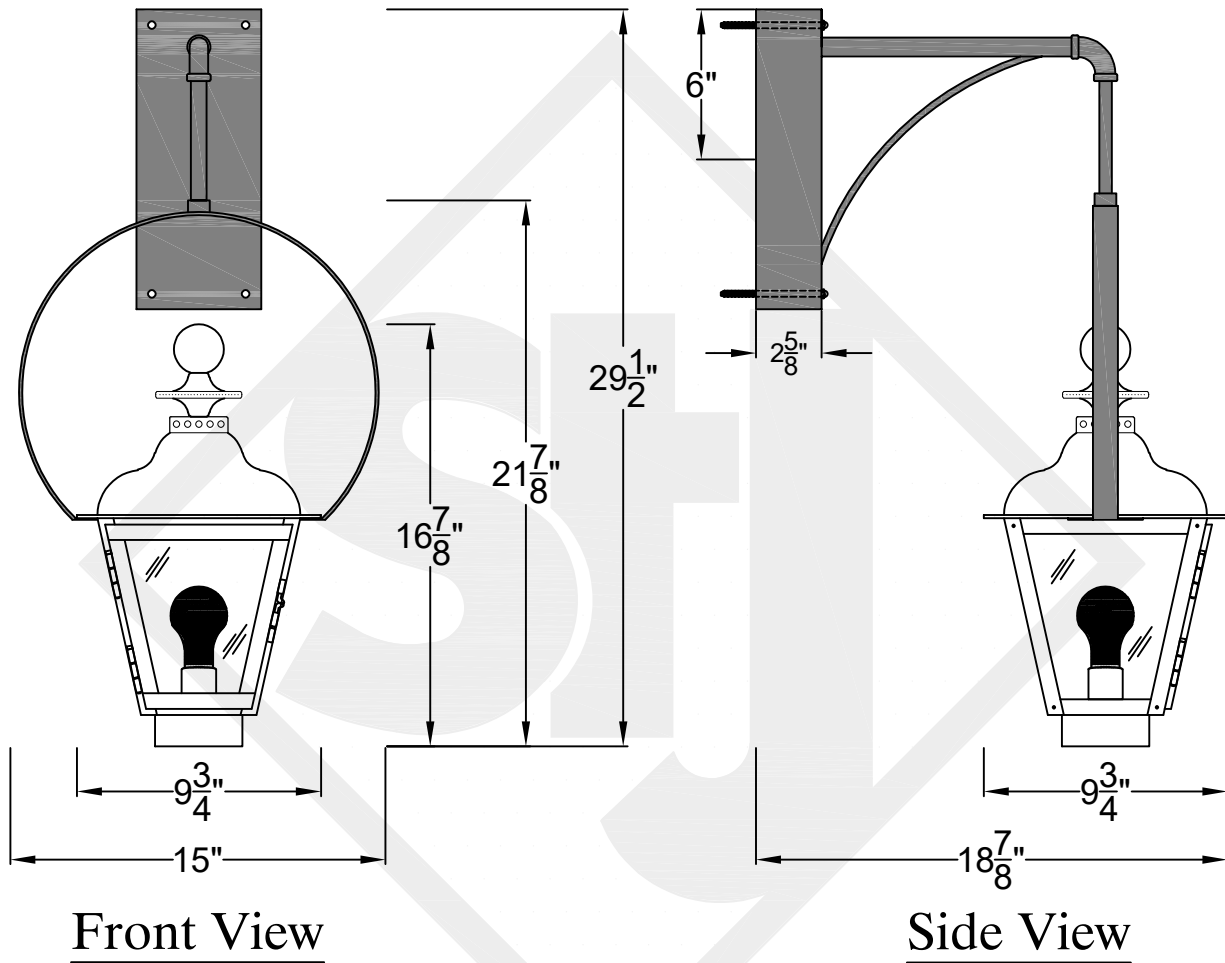


# BRUNSWICK MINI WALL MOUNT HALF YOKE

Shortest Height 25 <sup>3</sup>/<sub>4</sub>"



Backplate



St. James  
LIGHTING

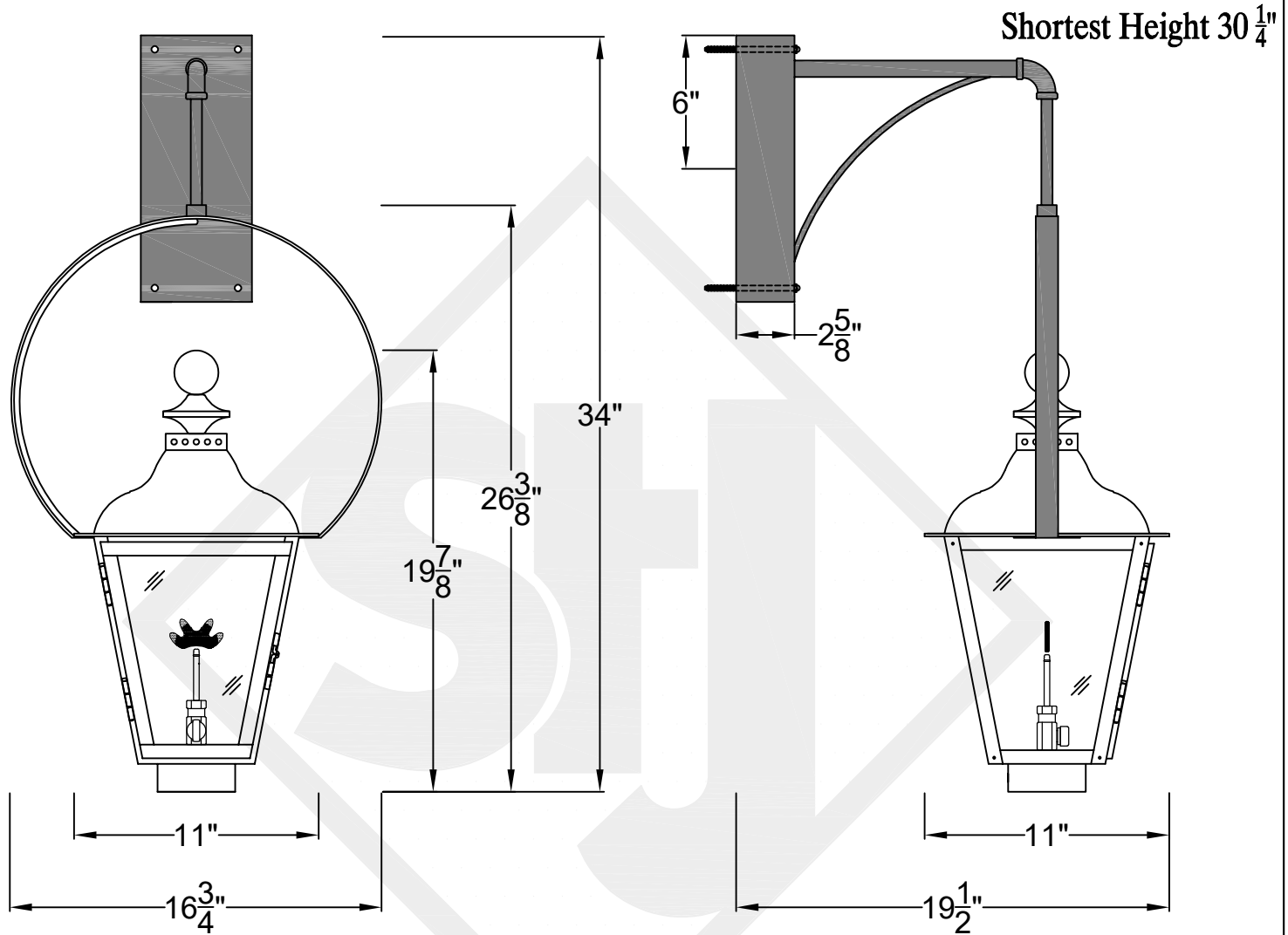
SCALE: N.T.S.      DRAFT: T. Herring  
FILE: BRUMINI      APP'D: J. Ragan  
JOB: X              DATE: 3-20-2023

Lights are handcrafted.  
Dimensions may vary by 1/4"

UL Certified  
Candelabra- Max 60 Watt Bulb  
Edison- Max 660 Watt Bulb

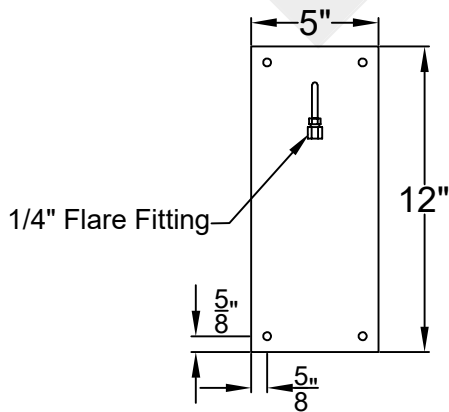
Mini not Available in Gas

# BRUNSWICK SMALL WALL MOUNT HALF YOKE




Front View

Side View



Backplate

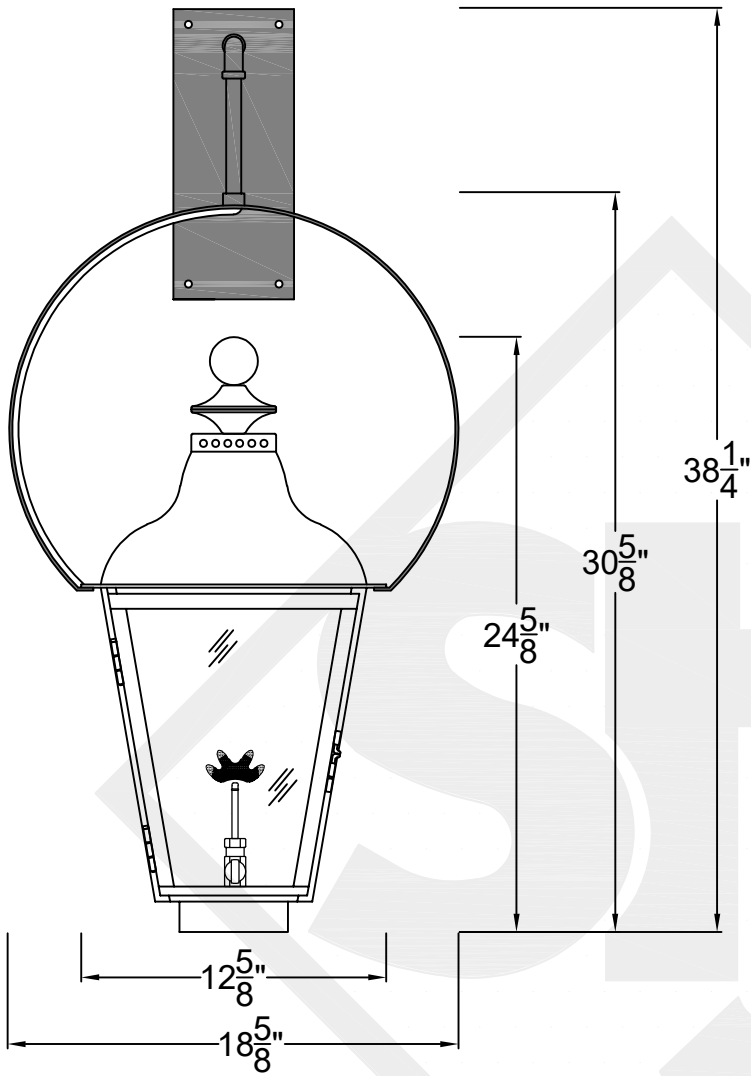
 <b>St. James LIGHTING</b>	
SCALE: N.T.S.	DRAFT: Y. McCullough
FILE: BRUS	APP'D: J. Ragan
JOB: X	DATE: 11/16/23

Lights are handcrafted.  
Dimensions may vary by 1/4"

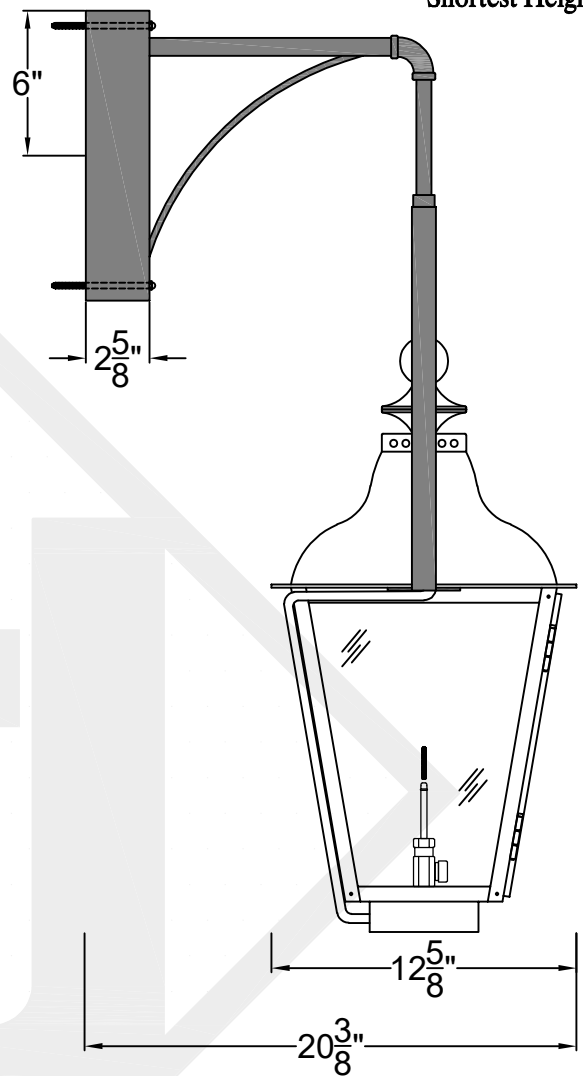
B.T.U. Rating  
Natural Gas: 2730 B.T.U.  
Propane: 2080 B.T.U.

# BRUNSWICK MEDIUM WALL MOUNT HALF YOKE

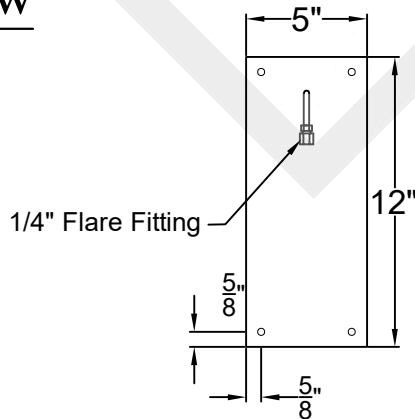
Shortest Height 34 1/2"



Front View



Side View



Backplate



St. James  
LIGHTING

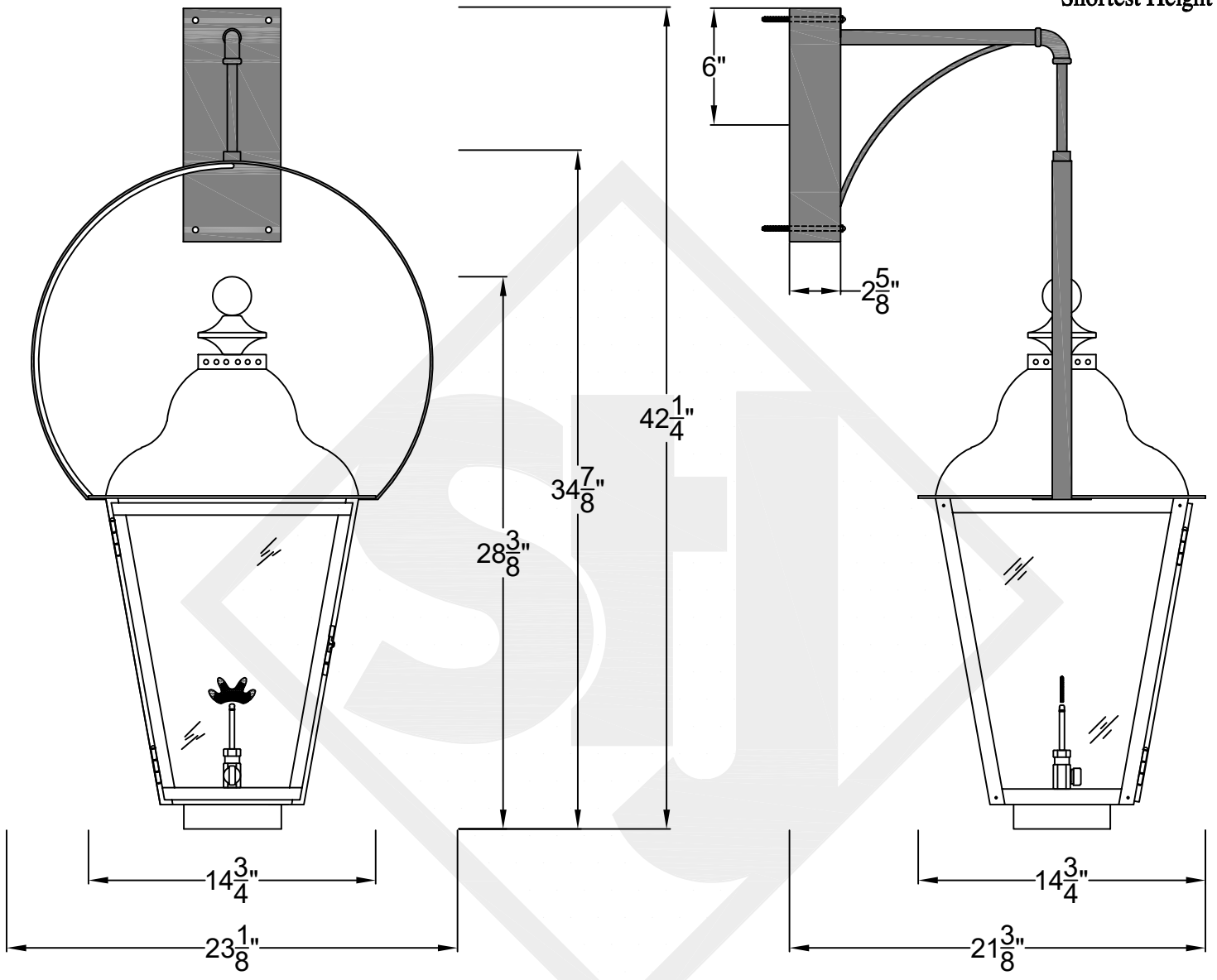
SCALE: N.T.S.	DRAFT: Y. McCullough
FILE: BRUM	APP'D: J. Ragan
JOB: X	DATE: 11/18/23

Lights are handcrafted.  
Dimensions may vary by 1/4"

B.T.U. Rating  
Natural Gas: 2730 B.T.U.  
Propane: 2080 B.T.U.

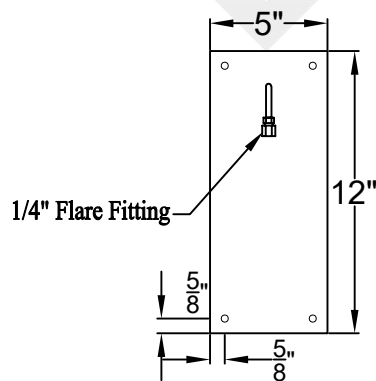
# BRUNSWICK LARGE WALL MOUNT HALF YOKE

Shortest Height  $38\frac{3}{8}"$



Front View

Side View



Backplate



St. James  
LIGHTING

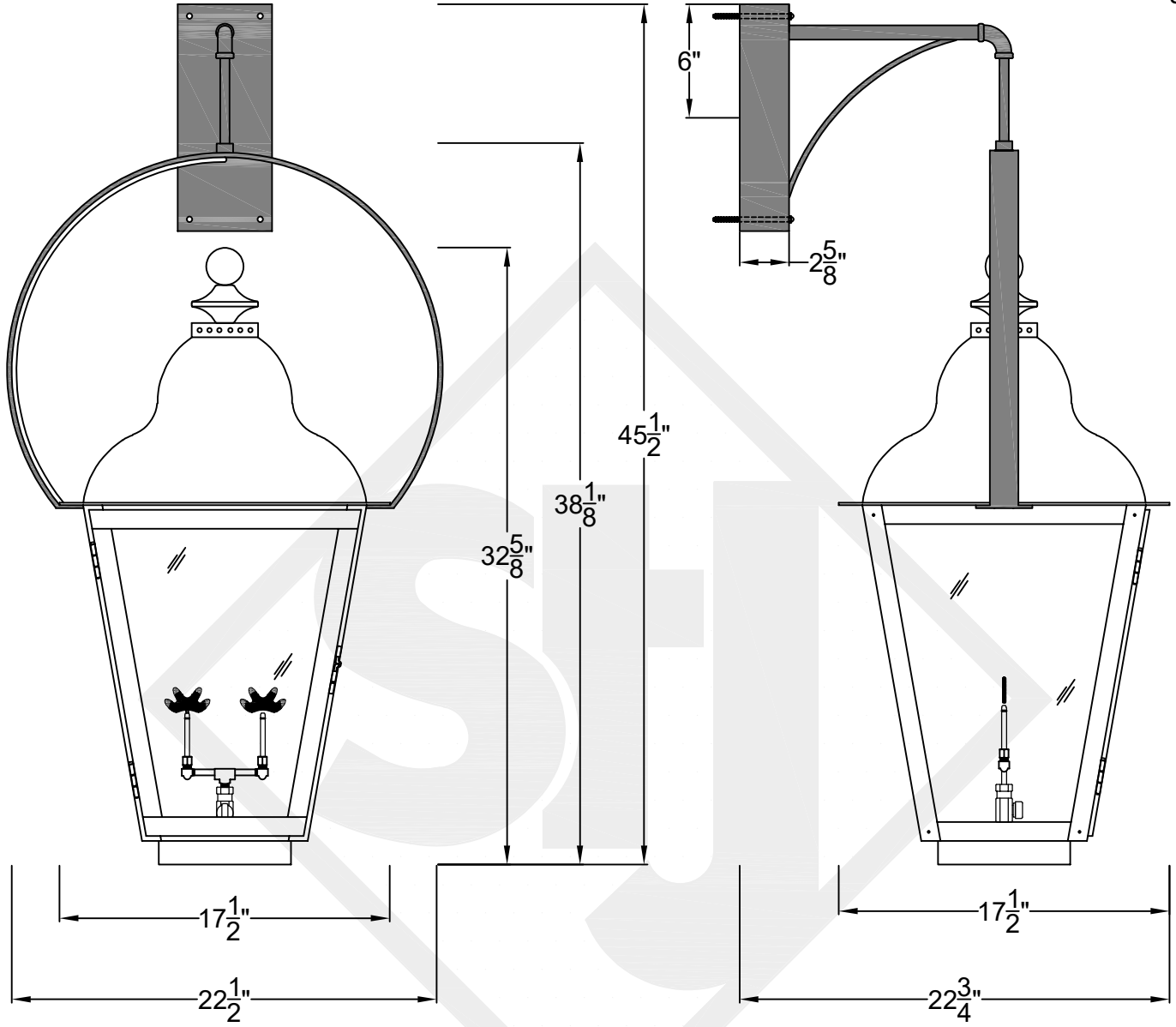
SCALE: N.T.S.	DRAFT: Y. McCullough
FILE: BRUL	APP'D: J. Ragan
JOB: X	DATE: 11/18/23

Lights are handcrafted.  
Dimensions may vary by 1/4"

B.T.U. Rating  
Natural Gas: 2730 B.T.U.  
Propane: 2080 B.T.U.

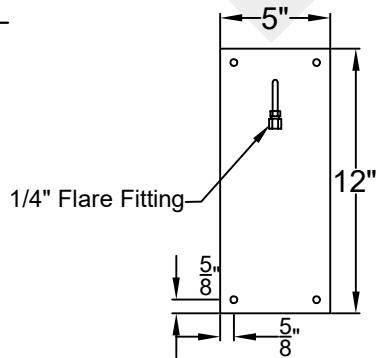
# BRUNSWICK GRANDE WALL MOUNT HALF YOKE

Shortest Height 42"



Front View

Side View



Backplate



St. James  
LIGHTING

SCALE: N.T.S.	DRAFT: Y. McCullough
FILE: BRUG	APP'D: J. Ragan
JOB: X	DATE: 11/18/23

Lights are handcrafted.  
Dimensions may vary by 1/4"

B.T.U. Rating  
Natural Gas: 5460 B.T.U.  
Propane: 4160 B.T.U.