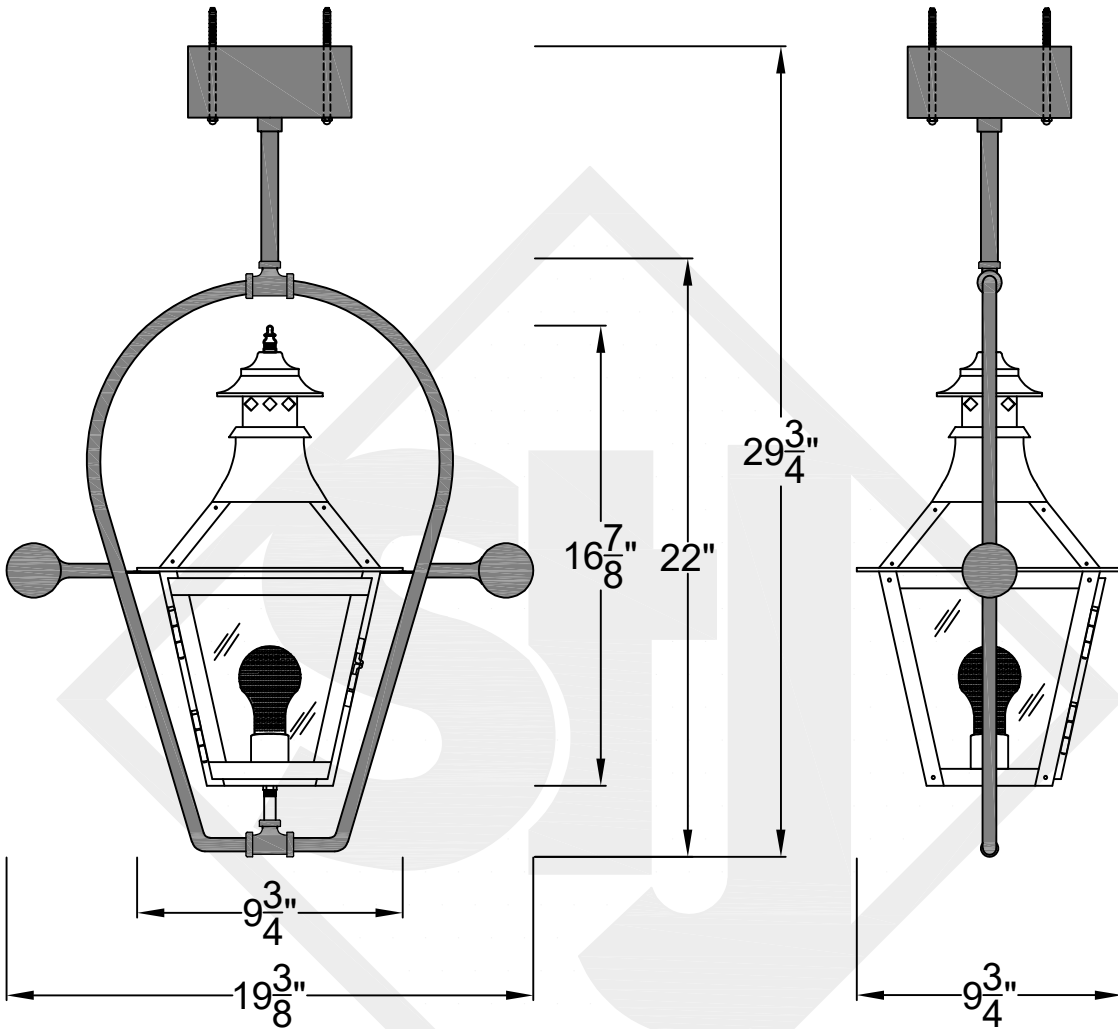


CHESAPEAKE MINI CEILING MOUNT FULL YOKE

Shortest Height 26"

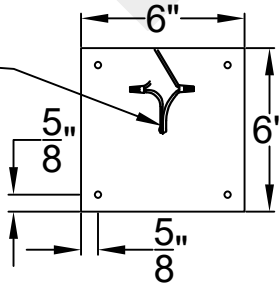
Available in Solid
or Glass Top



Front View

Side View

Black(+) & White(-)
to power source



Ceiling Mount



St. James
LIGHTING

SCALE: N.T.S.	DRAFT: Y. McCullough
FILE: CHEMINI	APP'D: J. Ragan
JOB: X	DATE: 11/18/23

Lights are handcrafted.
Dimensions may vary by 1/4"

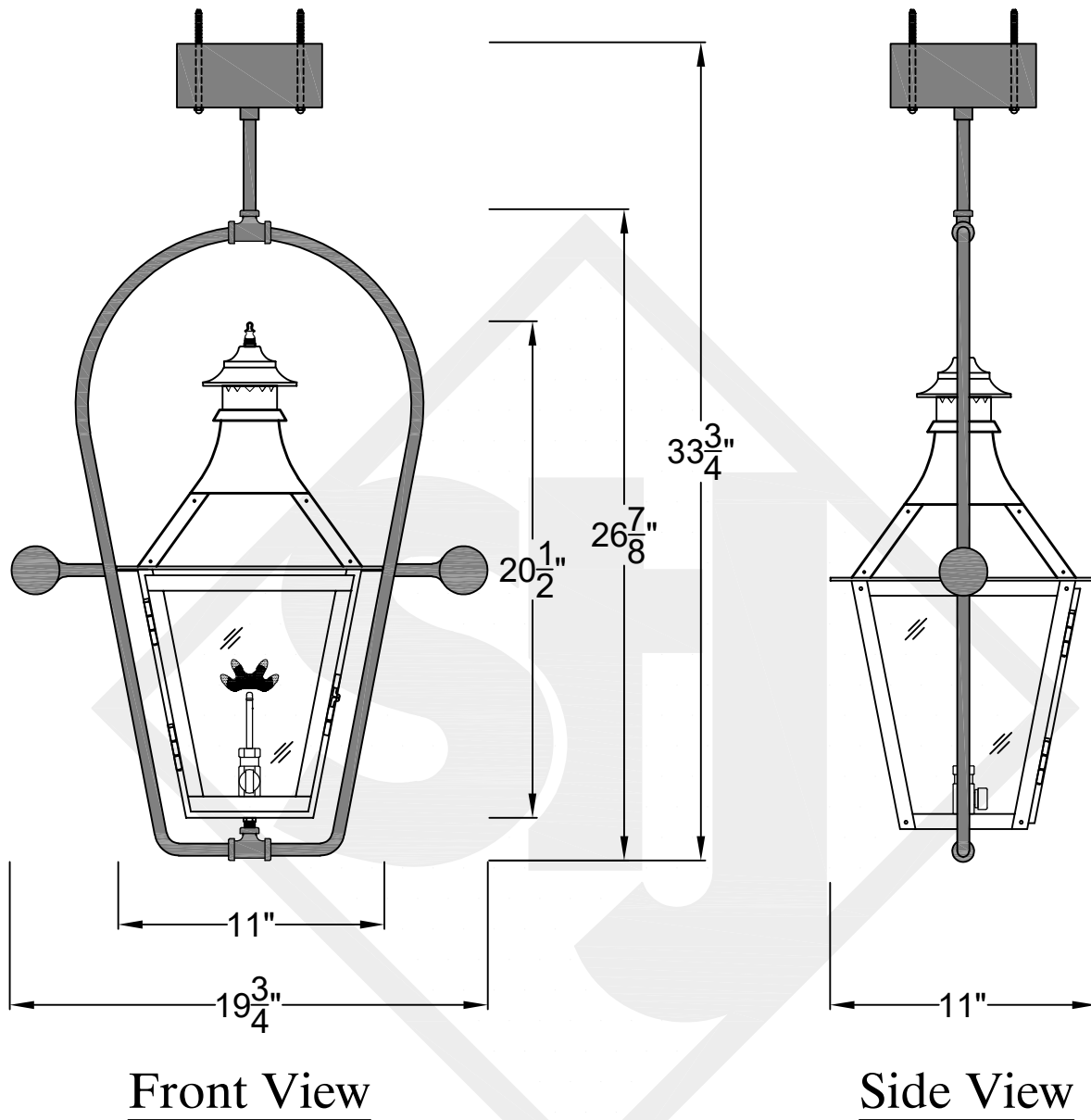
Mini not Available in Gas

UL Certified
Candelabra- Max 60 Watt Bulb
Edison- Max 660 Watt Bulb

CHESAPEAKE SMALL CEILING MOUNT FULL YOKE

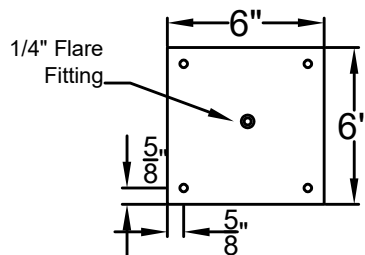
Available in Solid
or Glass Top

Shortest Height 31 ⁵/₈"



Front View

Side View



Ceiling Mount



St. James
LIGHTING

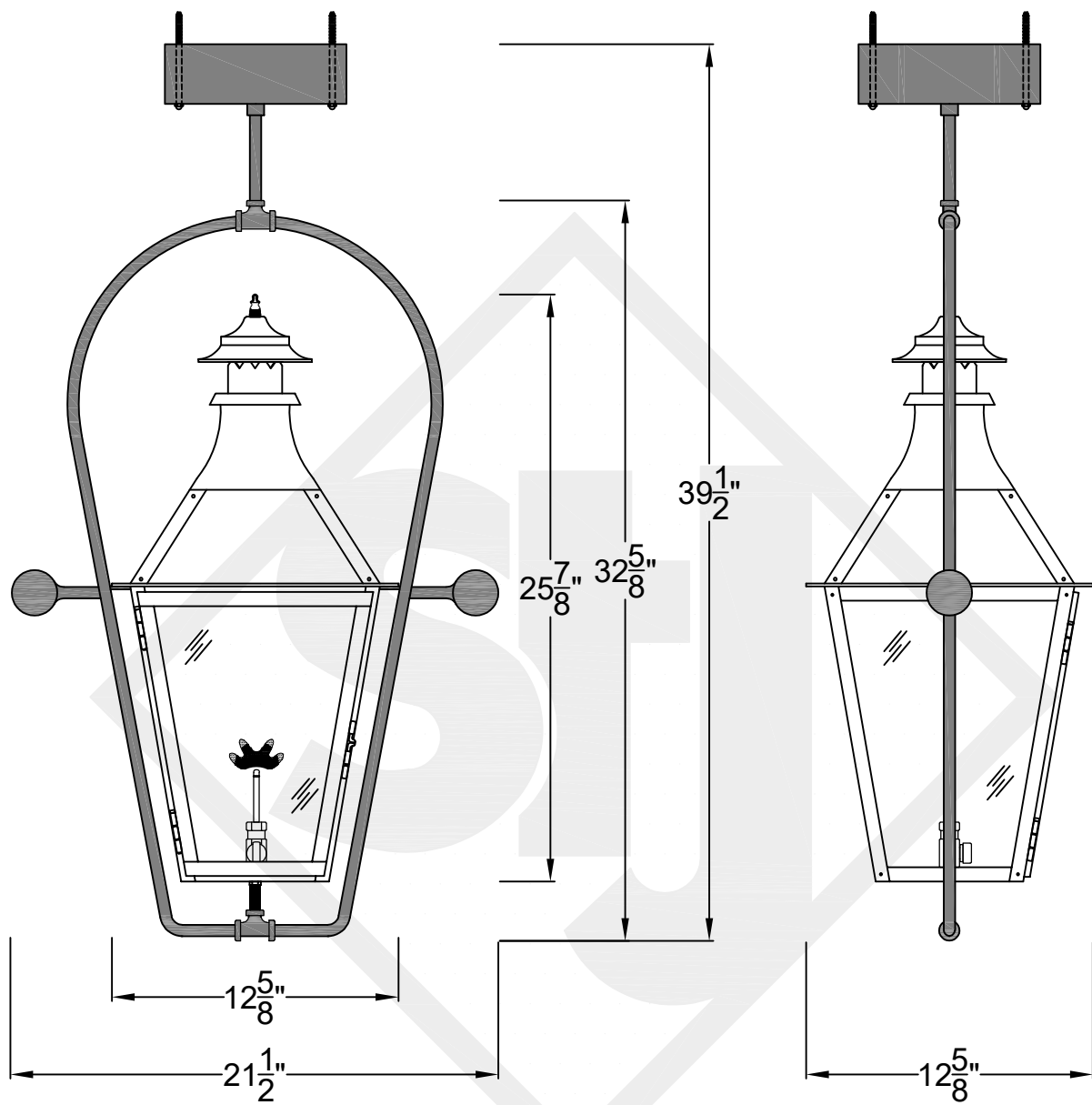
SCALE: N.T.S.	DRAFT: Y. McCullough
FILE: CHES	APP'D: J. Ragan
JOB: X	DATE: 11/18/23

Lights are handcrafted.
Dimensions may vary by 1/4"

B.T.U. Rating
Natural Gas: 2730 B.T.U.
Propane: 2080 B.T.U.

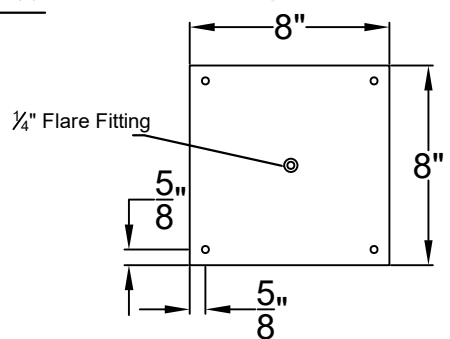
CHESAPEAKE MEDIUM CEILING MOUNT FULL YOKE

Available in Solid
or Glass Top
Shortest Height $36\frac{3}{4}$ "



Front View

Side View



Ceiling Mount



St. James
LIGHTING

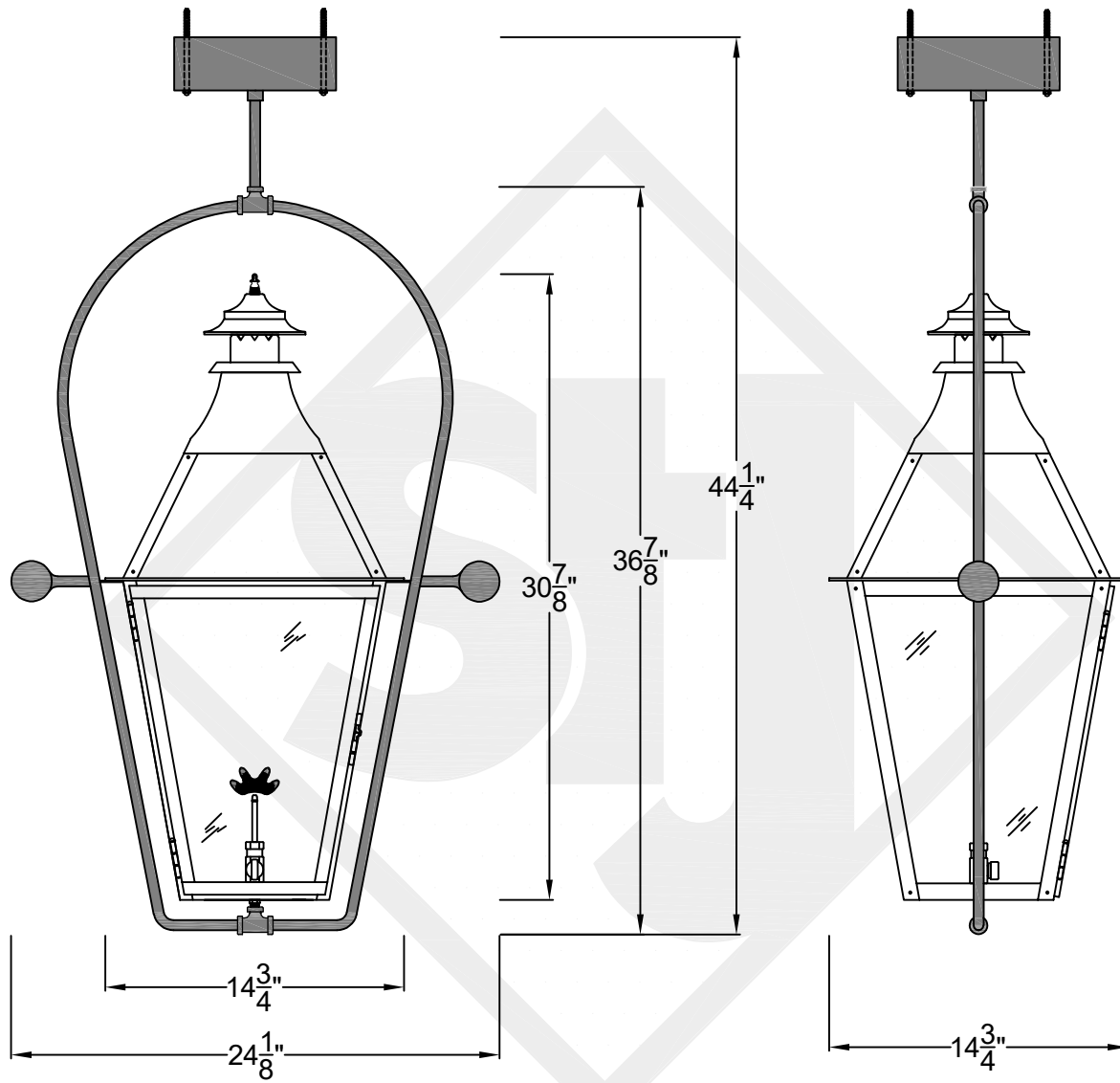
SCALE: N.T.S.	DRAFT: Y. McCullough
FILE: CHEM	APP'D: J. Ragan
JOB: X	DATE: 11/18/23

Lights are handcrafted.
Dimensions may vary by 1/4"

B.T.U. Rating
Natural Gas: 2730 B.T.U.
Propane: 2080 B.T.U.

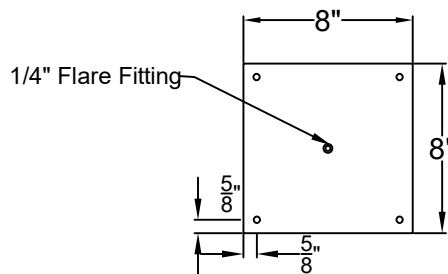
CHESAPEAKE LARGE CEILING MOUNT FULL YOKE

Available w/ Solid
or Glass Top
Shortest Height 41 $\frac{5}{8}$ "



Front View

Side View



Ceiling Mount



St. James
LIGHTING

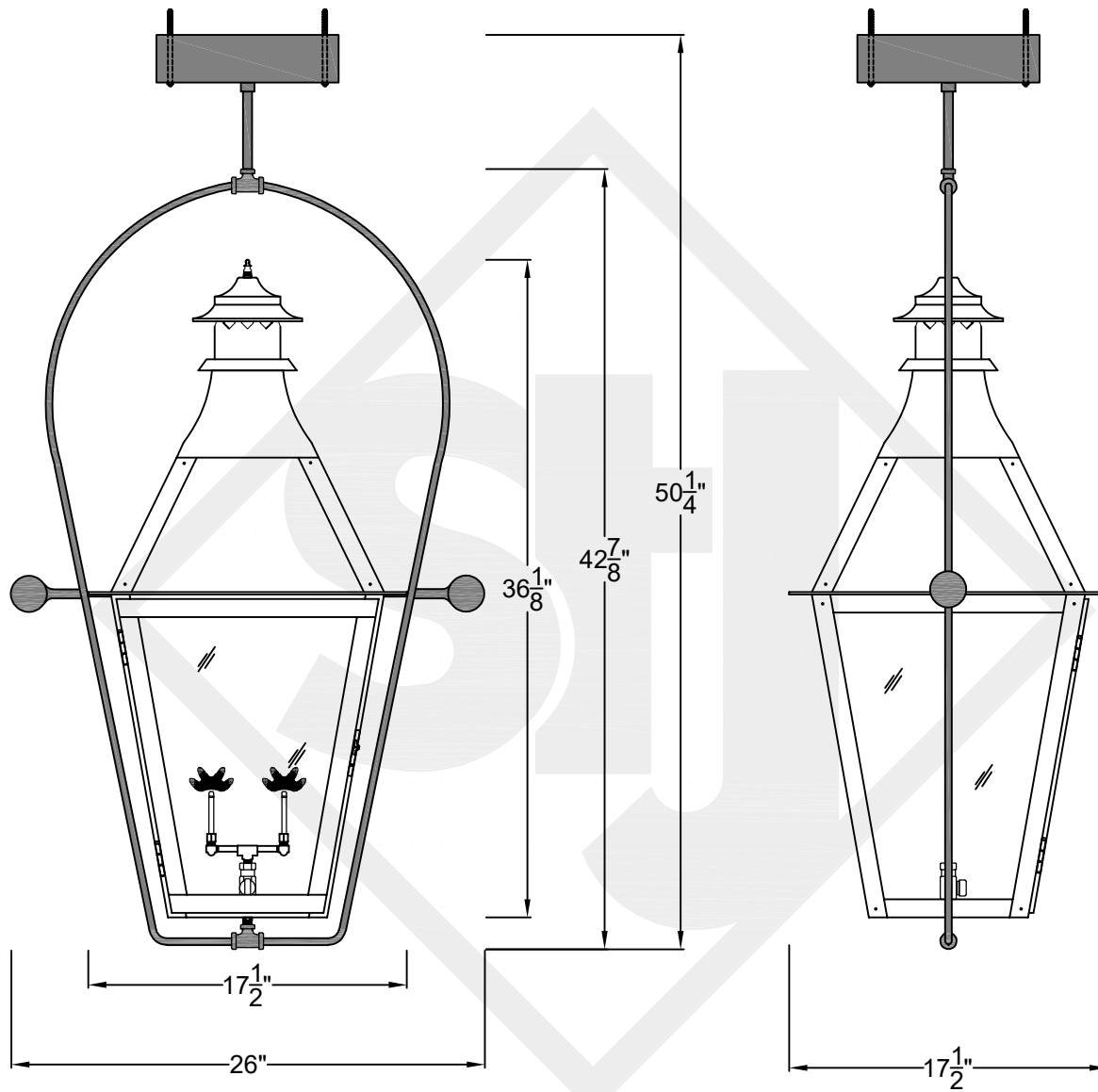
SCALE: N.T.S.	DRAFT: Y. McCullough
FILE: CHEL	APP'D: J. Ragan
JOB: X	DATE: 11/18/23

Lights are handcrafted.
Dimensions may vary by 1/4"

B.T.U. Rating
Natural Gas: 2730 B.T.U.
Propane: 2080 B.T.U.

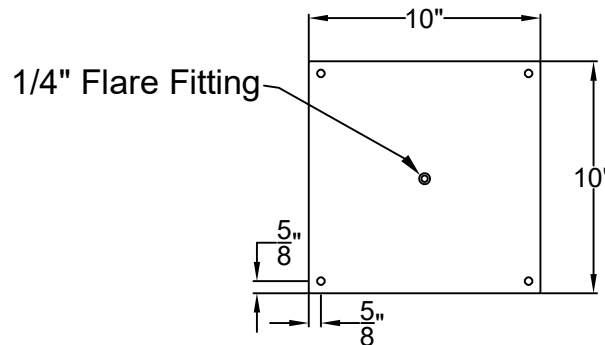
CHESAPEAKE GRANDE CEILING MOUNT FULL YOKE

Available w/ Solid
or Glass Top
Shortest Height
47"



Front View

Side View



Ceiling Mount



St. James
LIGHTING

SCALE: N.T.S.	DRAFT: Y. McCullough
FILE: CHEG	APP'D: J. Ragan
JOB: X	DATE: 11/18/23

Lights are handcrafted.
Dimensions may vary by 1/4"

B.T.U. Rating
Natural Gas: 5460 B.T.U.
Propane: 4160 B.T.U.