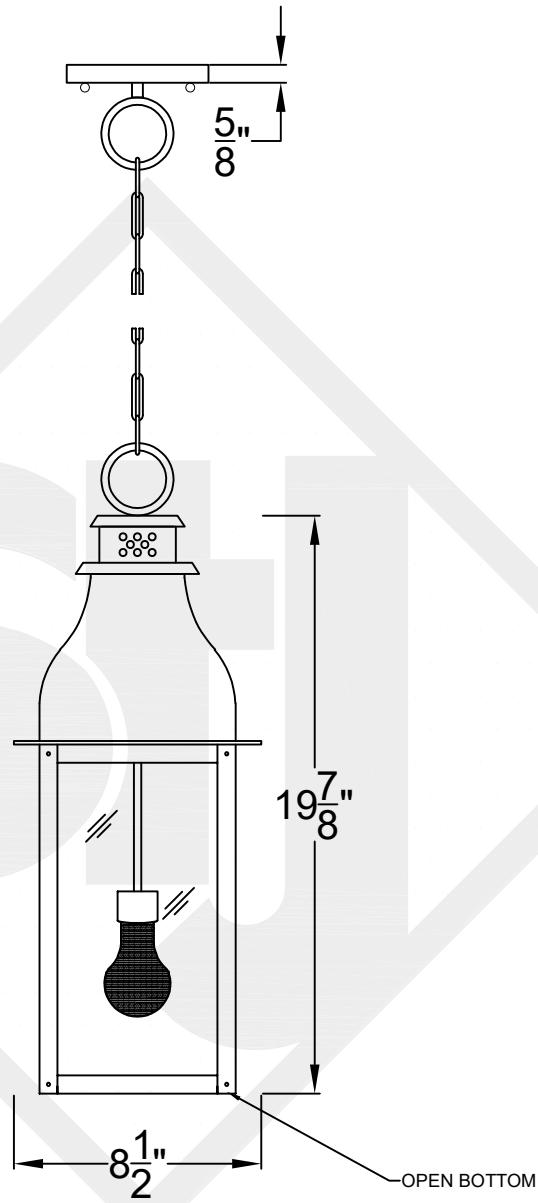
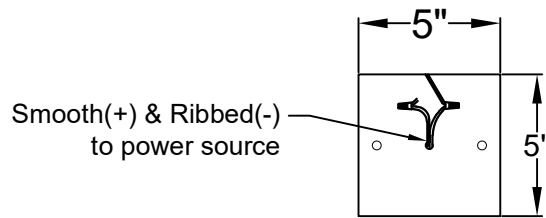


SARASOTA MINI CHAIN HANG PENDANT

Comes standard
w/ 6' of chain



Front View



Ceiling Canopy



St. James
LIGHTING

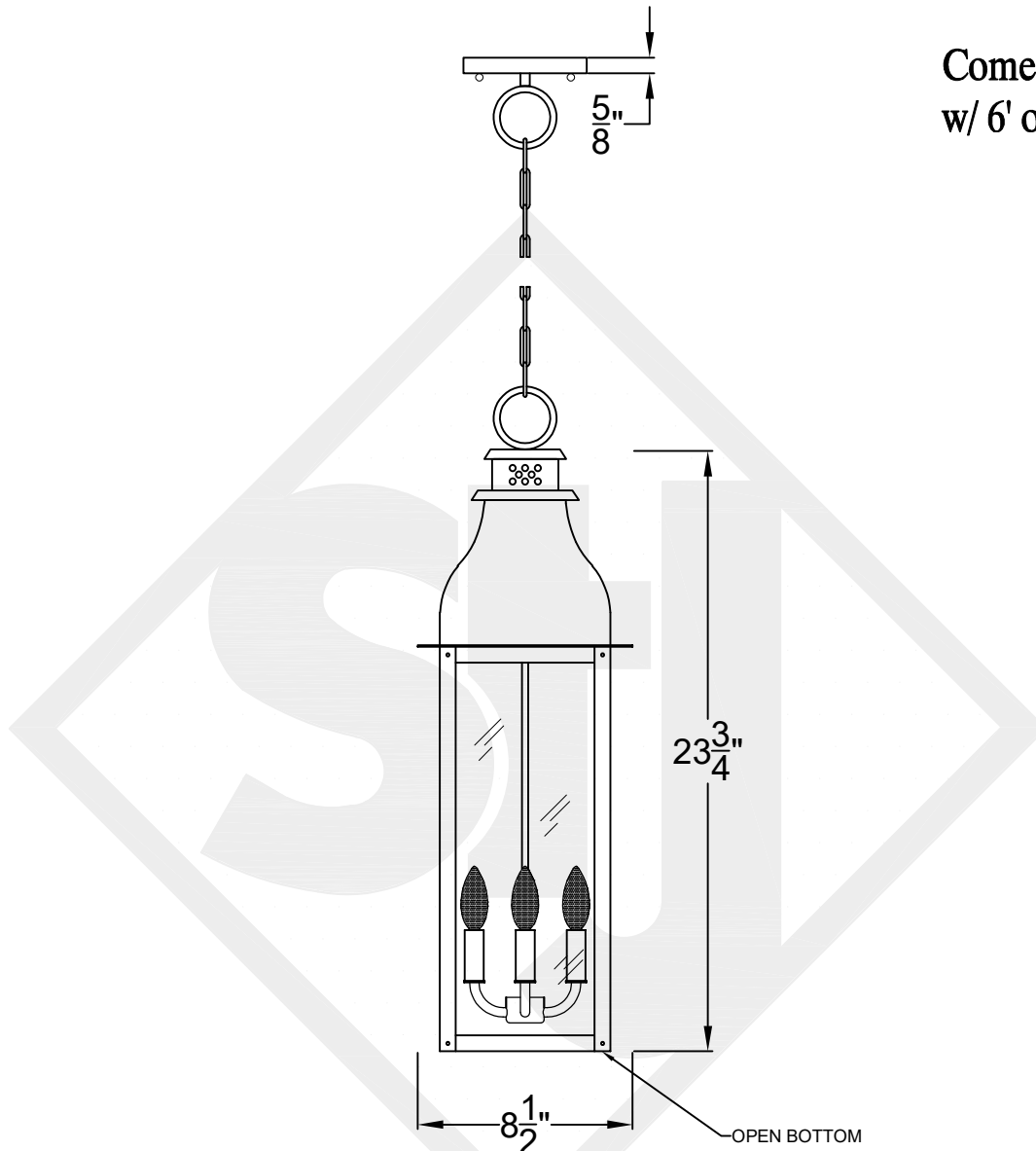
SCALE: N.T.S.	DRAFT: Y. McCullough
FILE: SARMINI	APP'D: J. Ragan
JOB: X	DATE: 11/28/23

Lights are handcrafted.
Dimensions may vary by 1/4"

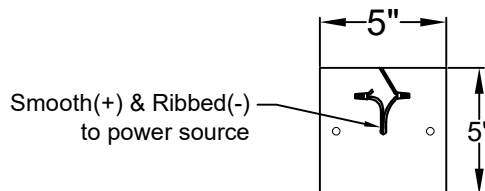
UL Certified
Candelabra- Max 60 Watt Bulb
Edison- Max 660 Watt Bulb

SARASOTA SMALL CHAIN HANG PENDANT

Comes standard
w/ 6' of chain



Front View



Ceiling Canopy



St. James
LIGHTING

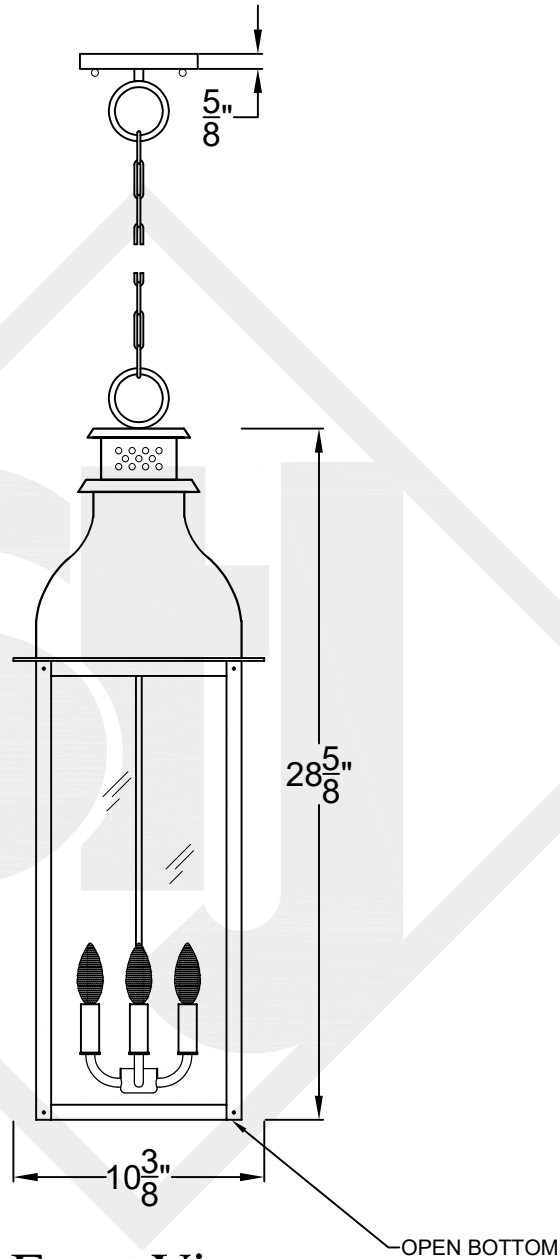
SCALE: N.T.S.	DRAFT: Y. McCullough
FILE: SARS	APP'D: J. Ragan
JOB: X	DATE: 11/28/23

Lights are handcrafted.
Dimensions may vary by 1/4"

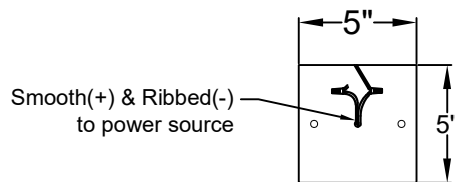
B.T.U. Rating
Natural Gas: 2730 B.T.U.
Propane: 2080 B.T.U.

SARASOTA MEDIUM CHAIN HANG PENDANT

Comes standard
w/ 6' of chain



Front View



Ceiling Canopy



St. James
LIGHTING

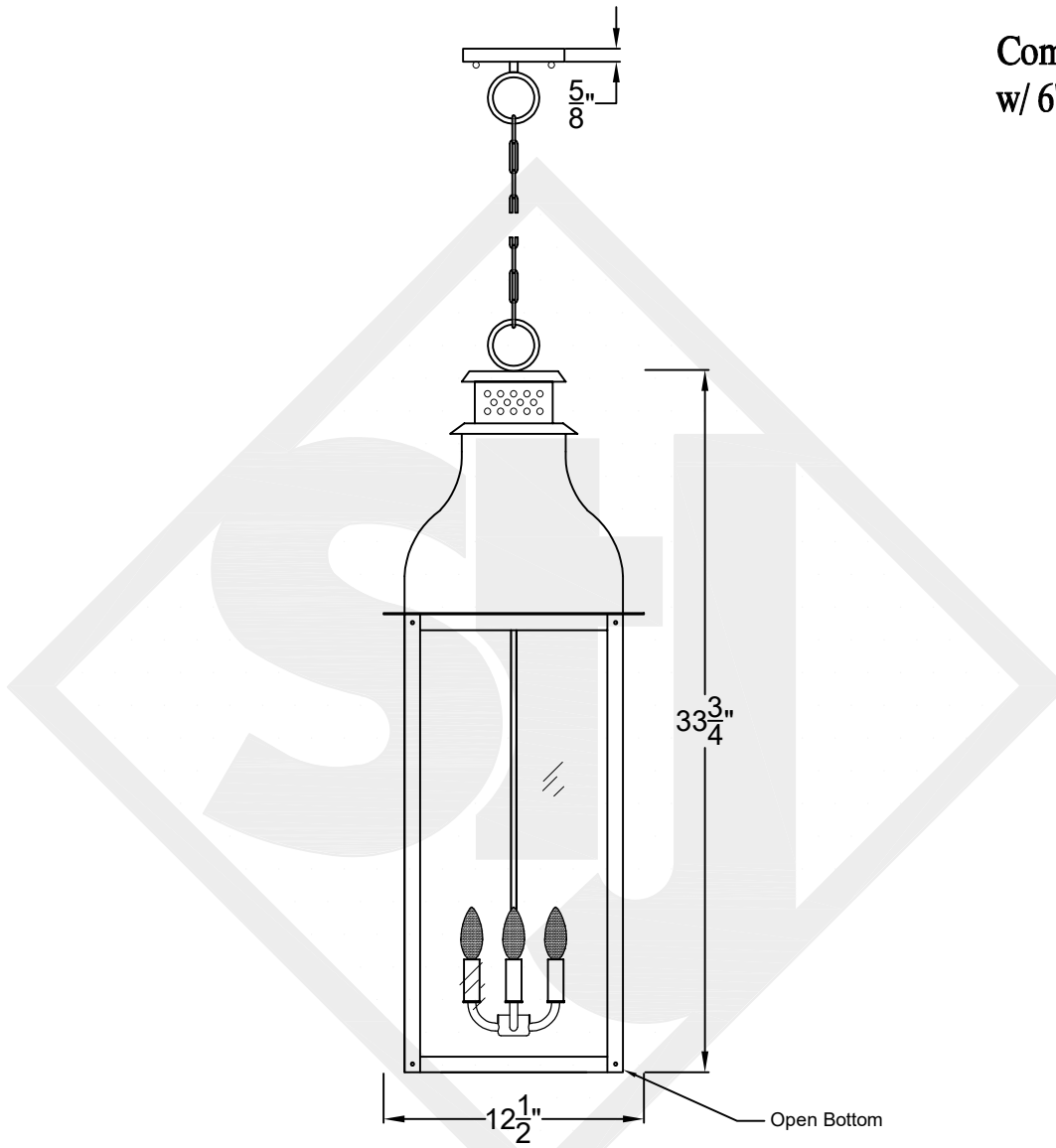
SCALE: N.T.S.	DRAFT: T. Herring
FILE: SARM	APP'D: J. Ragan
JOB: X	DATE: 3-10-2023

Lights are handcrafted.
Dimensions may vary by 1/4"

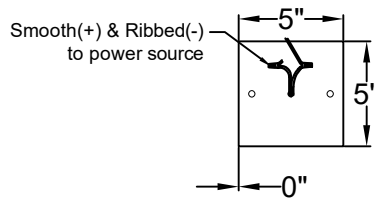
B.T.U. Rating
Natural Gas: 2730 B.T.U.
Propane: 2080 B.T.U.

SARASOTA LARGE CHAIN HUNG PENDANT

Comes standard
w/ 6' of chain



Front View



Ceiling Mount



**St. James
LIGHTING**

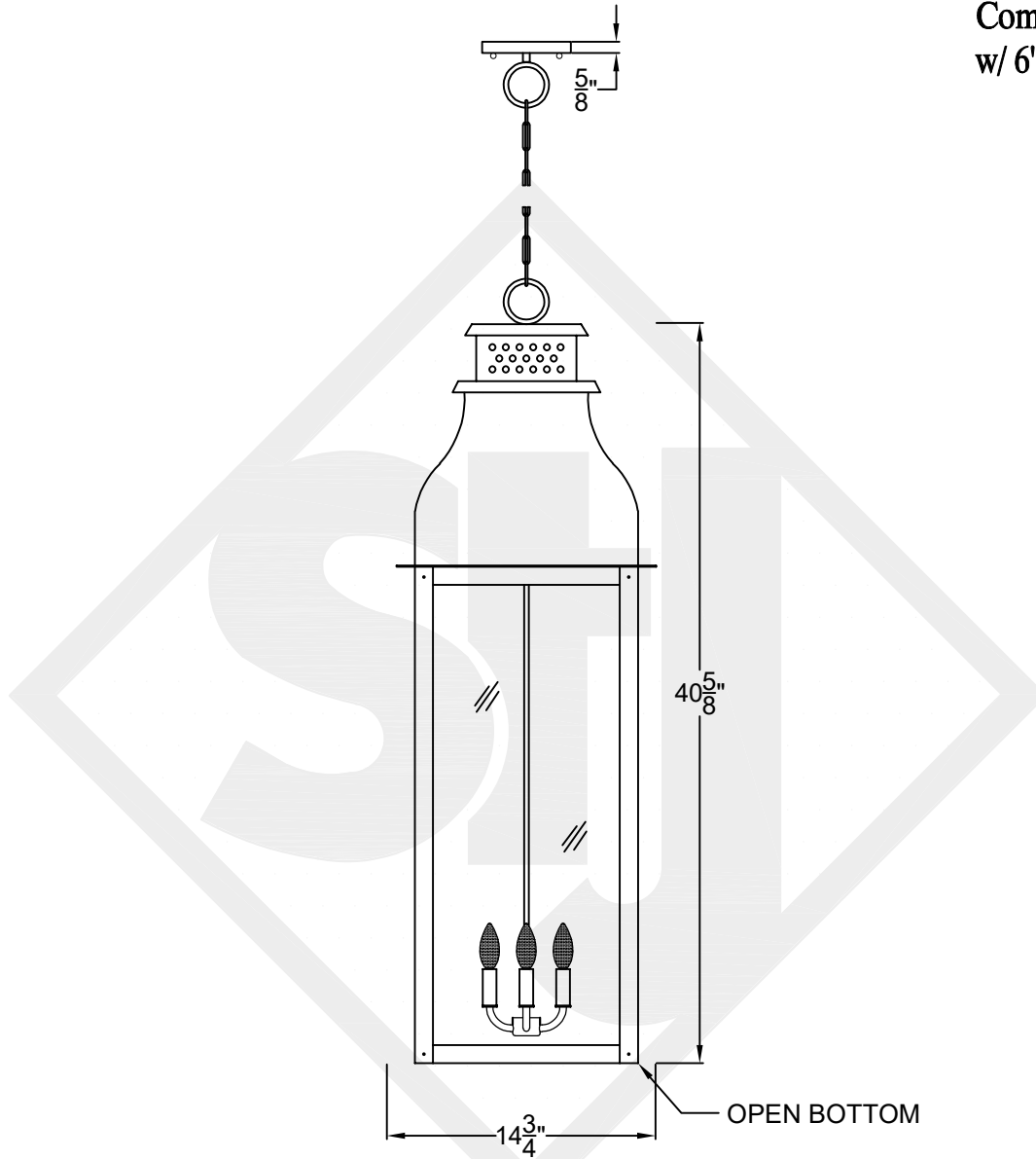
SCALE: N.T.S.	DRAFT: Y. McCullough
FILE: SARL	APP'D: J. Ragan
JOB: X	DATE: 11/28/23

Lights are handcrafted.
Dimensions may vary by 1/4"

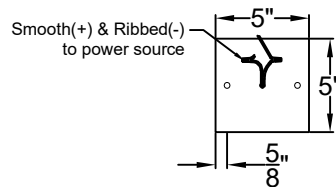
B.T.U. Rating
Natural Gas: 2730 B.T.U.
Propane: 2080 B.T.U.

SARASOTA GRANDE CHAIN HUNG PENDANT

Comes standard
w/ 6' of chain



Front View



Ceiling Mount



St. James
LIGHTING

SCALE: N.T.S.	DRAFT: T. Herring
FILE: SARGG	APP'D: J. Ragan
JOB: X	DATE: 3-13-2023

Lights are handcrafted.
Dimensions may vary by 1/4"

UL Certified
Candelabra- Max 60 Watt Bulb
Edison- Max 660 Watt Bulb