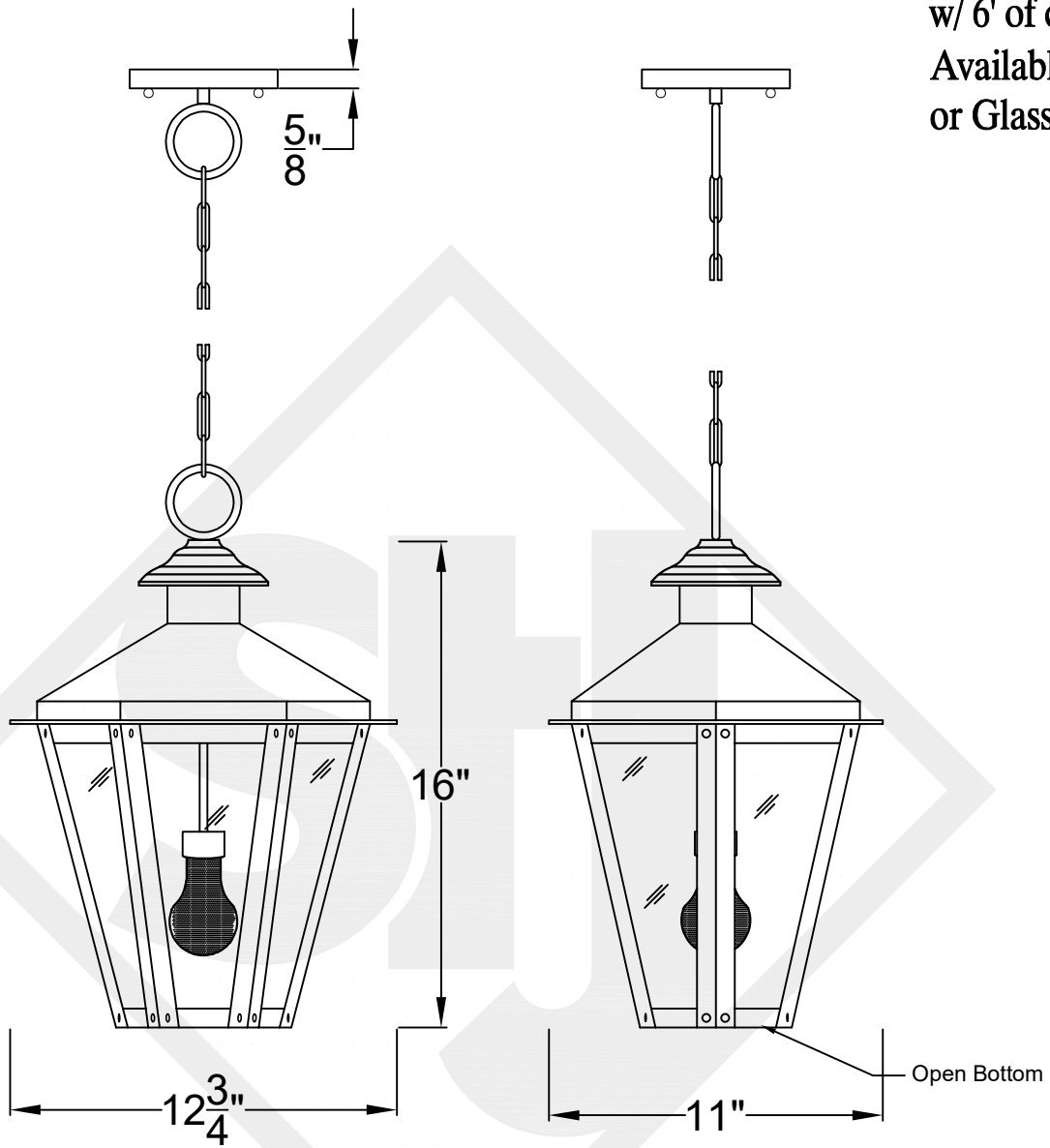


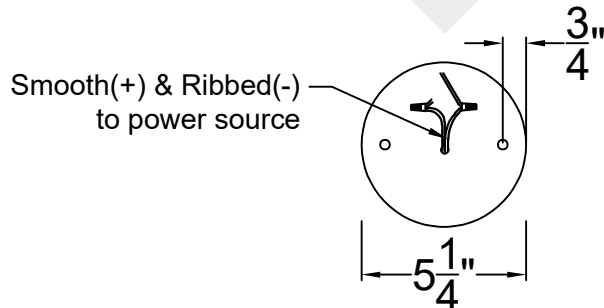
BILOXI MINI CHAIN HUNG PENDANT

Comes standard
w/ 6' of chain
Available w/ Solid
or Glass Top



Front View

Side View



Ceiling Mount



St. James
LIGHTING

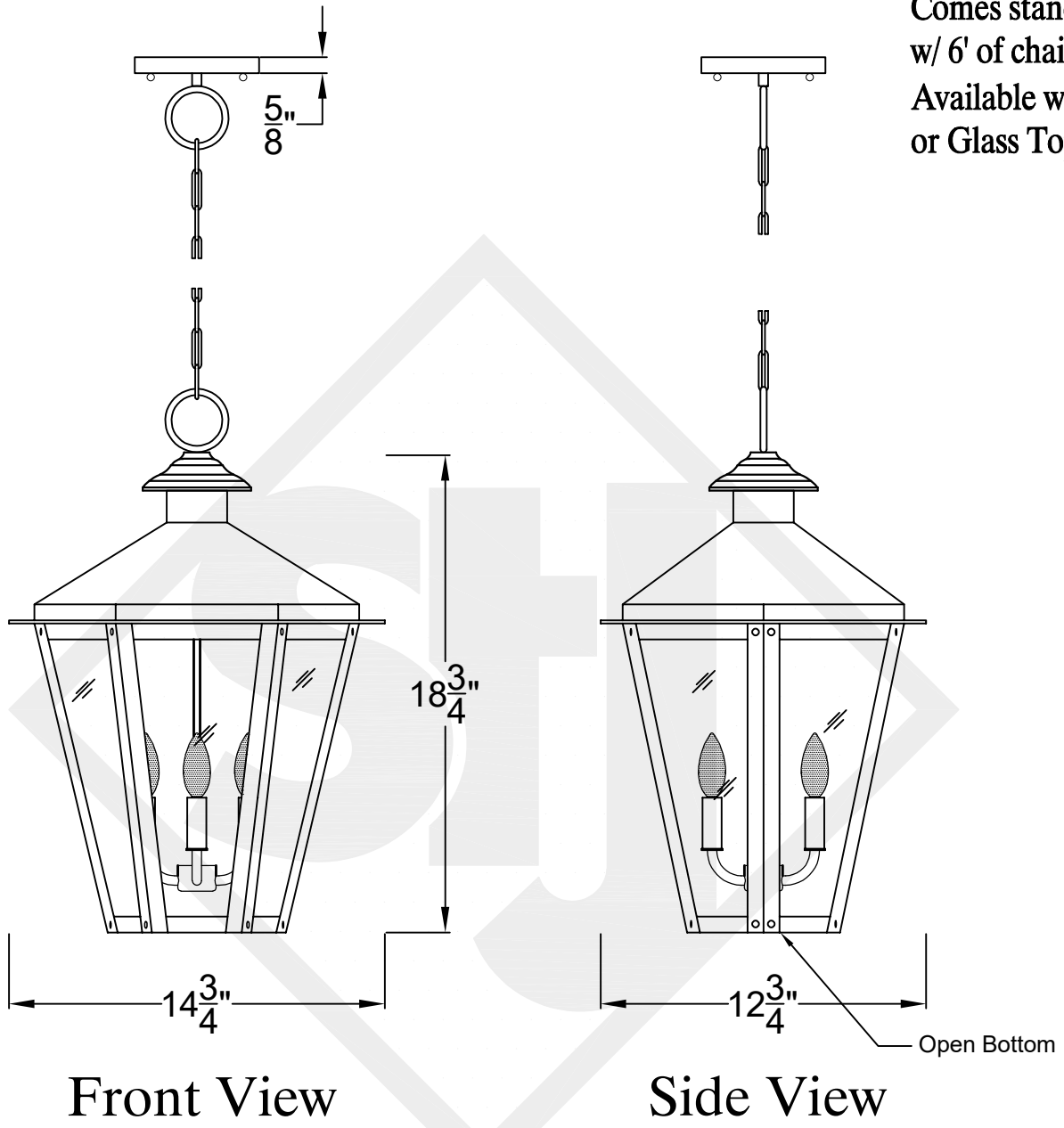
SCALE: N.T.S.	DRAFT: Y. McCullough
FILE: BILMINI	APP'D: J. Ragan
JOB: X	DATE: 11/14/23

Lights are handcrafted.
Dimensions may vary by 1/4"

UL Certified
Candelabra- Max 60 Watt Bulb
Edison- Max 660 Watt Bulb

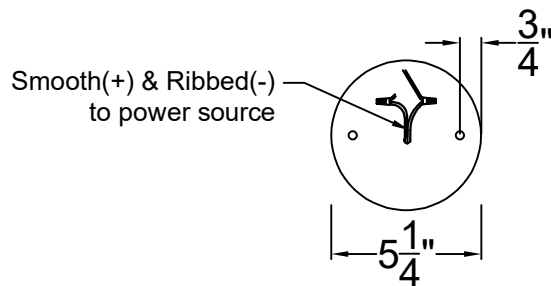
BILOXI SMALL CHAIN HUNG PENDANT

Comes standard
w/ 6' of chain
Available w/ Solid
or Glass Top



Front View

Side View



Ceiling Mount



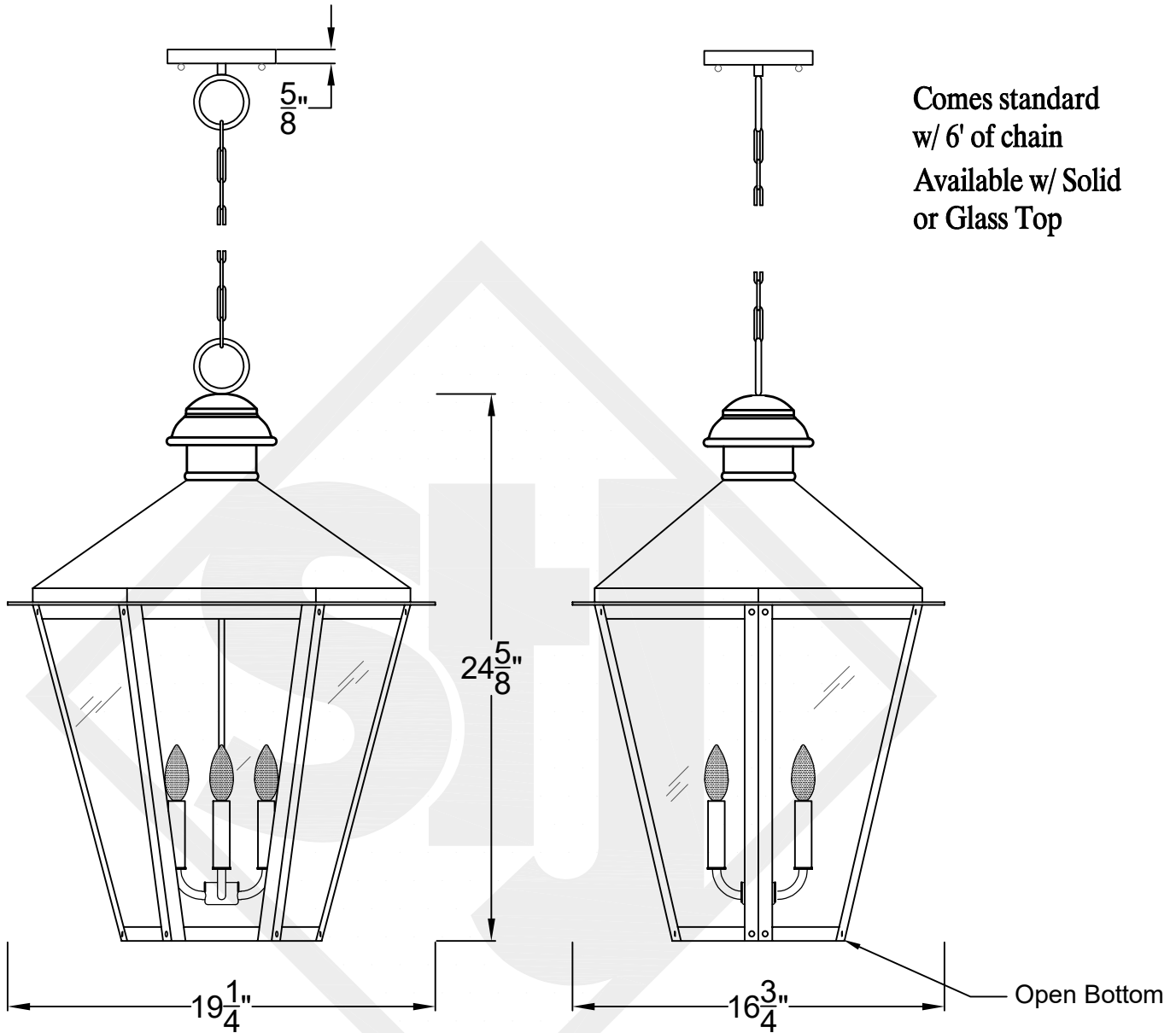
St. James
LIGHTING

SCALE: N.T.S.	DRAFT: Y. McCullough
FILE: BILS	APP'D: J. Ragan
JOB: X	DATE: 11/14/23

Lights are handcrafted.
Dimensions may vary by 1/4"

B.T.U. Rating
Natural Gas: 2730 B.T.U.
Propane: 2080 B.T.U.

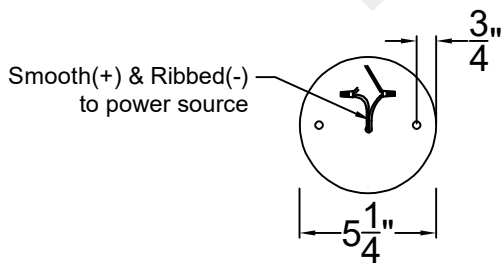
BILOXI MEDIUM CHAIN HUNG PENDANT



Comes standard
w/ 6' of chain
Available w/ Solid
or Glass Top

Front View

Side View



Ceiling Mount



St. James
LIGHTING

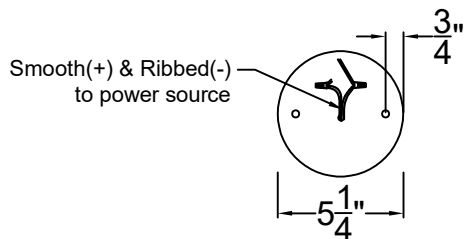
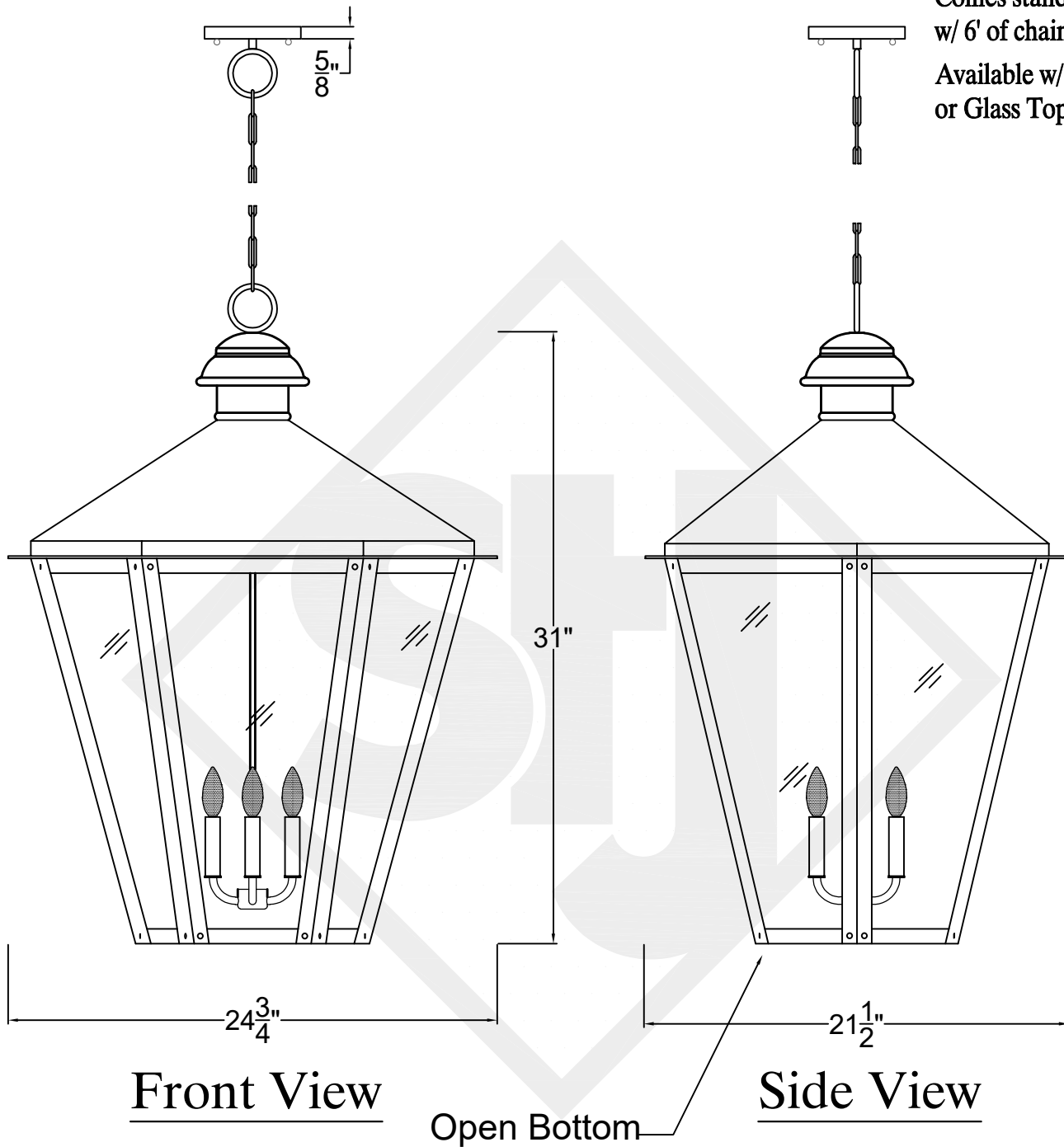
SCALE: N.T.S.	DRAFT: Y. McCullough
FILE: BILM	APP'D: J. Ragan
JOB: X	DATE: 11/15/23

Lights are handcrafted.
Dimensions may vary by 1/4"

B.T.U. Rating
Natural Gas: 2730 B.T.U.
Propane: 2080 B.T.U.

BILOXI LARGE CHAIN HUNG PENDANT

Comes standard
w/ 6' of chain
Available w/ Solid
or Glass Top



Ceiling Mount



St. James
LIGHTING

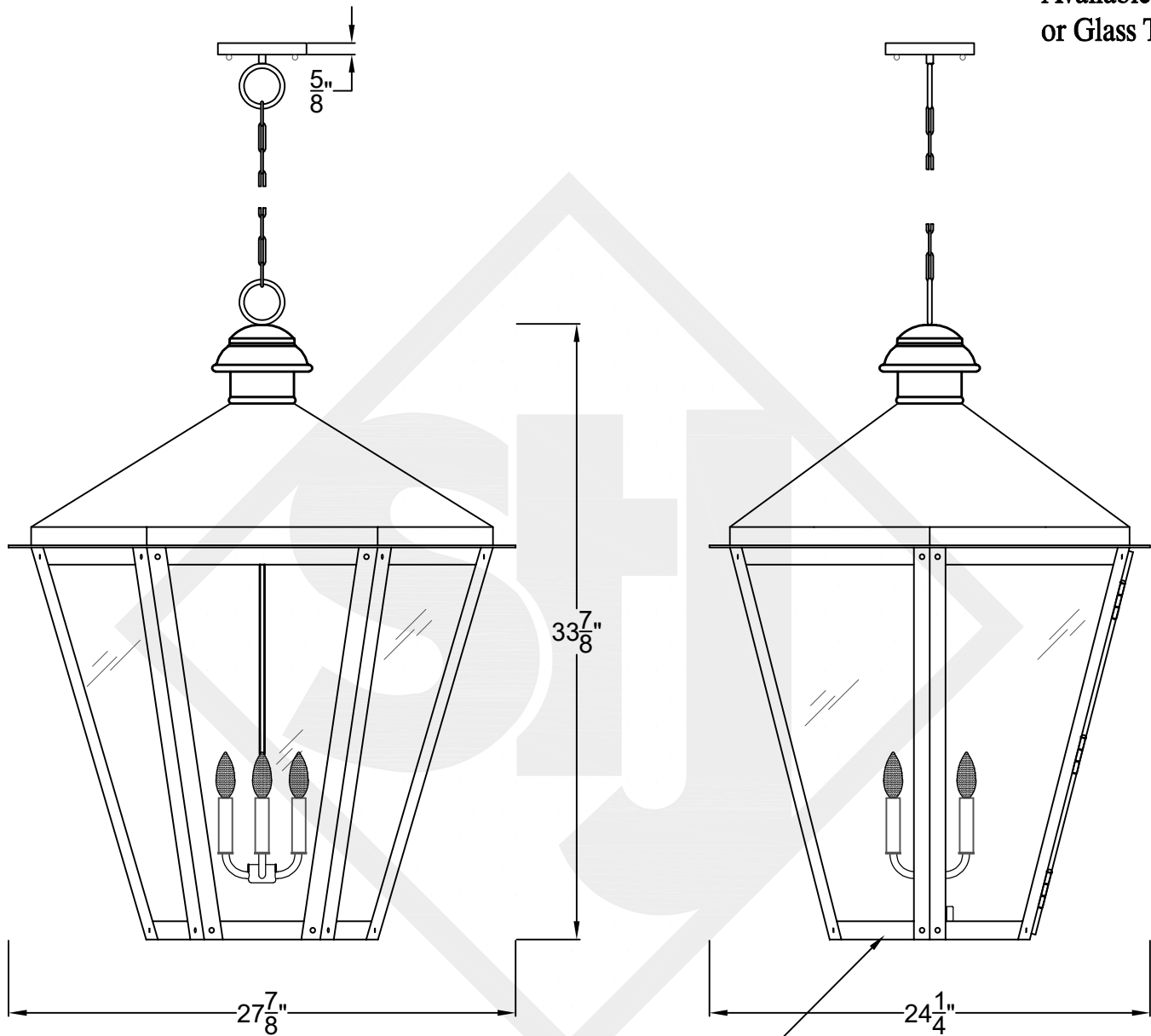
SCALE: N.T.S.	DRAFT: Y. McCullough
FILE: BILL	APP'D: J. Ragan
JOB: X	DATE: 11/15/23

Lights are handcrafted.
Dimensions may vary by 1/4"

B.T.U. Rating
Natural Gas: 2730 B.T.U.
Propane: 2080 B.T.U.

BILOXI GRANDE CHAIN HUNG PENDANT

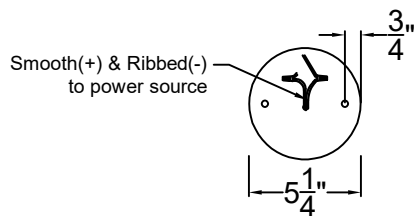
Comes standard
w/ 6' of chain
Available w/ Solid
or Glass Top



Front View

Open Bottom

Side View



Ceiling Mount



St. James
LIGHTING

SCALE: N.T.S.	DRAFT: T. Herring
FILE: BILM	APP'D: J. Ragan
JOB: X	DATE: 4-19-2023

Lights are handcrafted.
Dimensions may vary by 1/4"

UL Certified
Candelabra- Max 60 Watt Bulb
Edison- Max 660 Watt Bulb