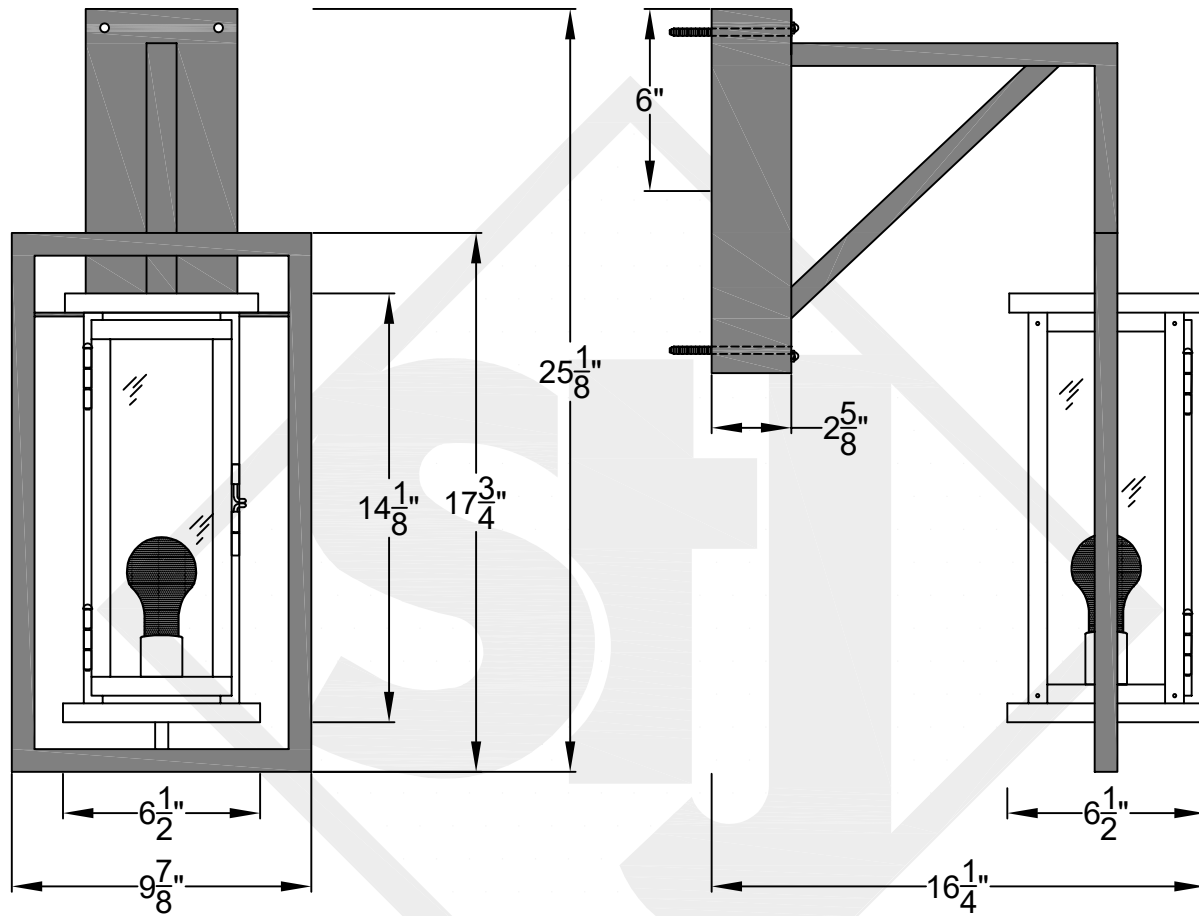


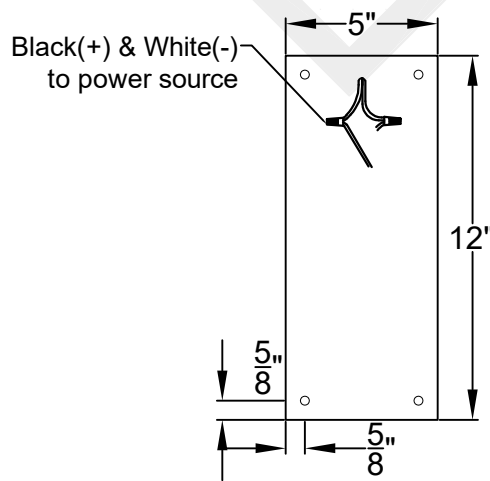
TRINITY MINI WALL MOUNT FULL YOKE

Shortest Height $20\frac{5}{8}"$



Front View

Side View



Backplate



St. James
LIGHTING

SCALE: N.T.S.	DRAFT: T. Herring
FILE: TRIMINI	APP'D: J. Ragan
JOB: X	DATE: 8-28-2023

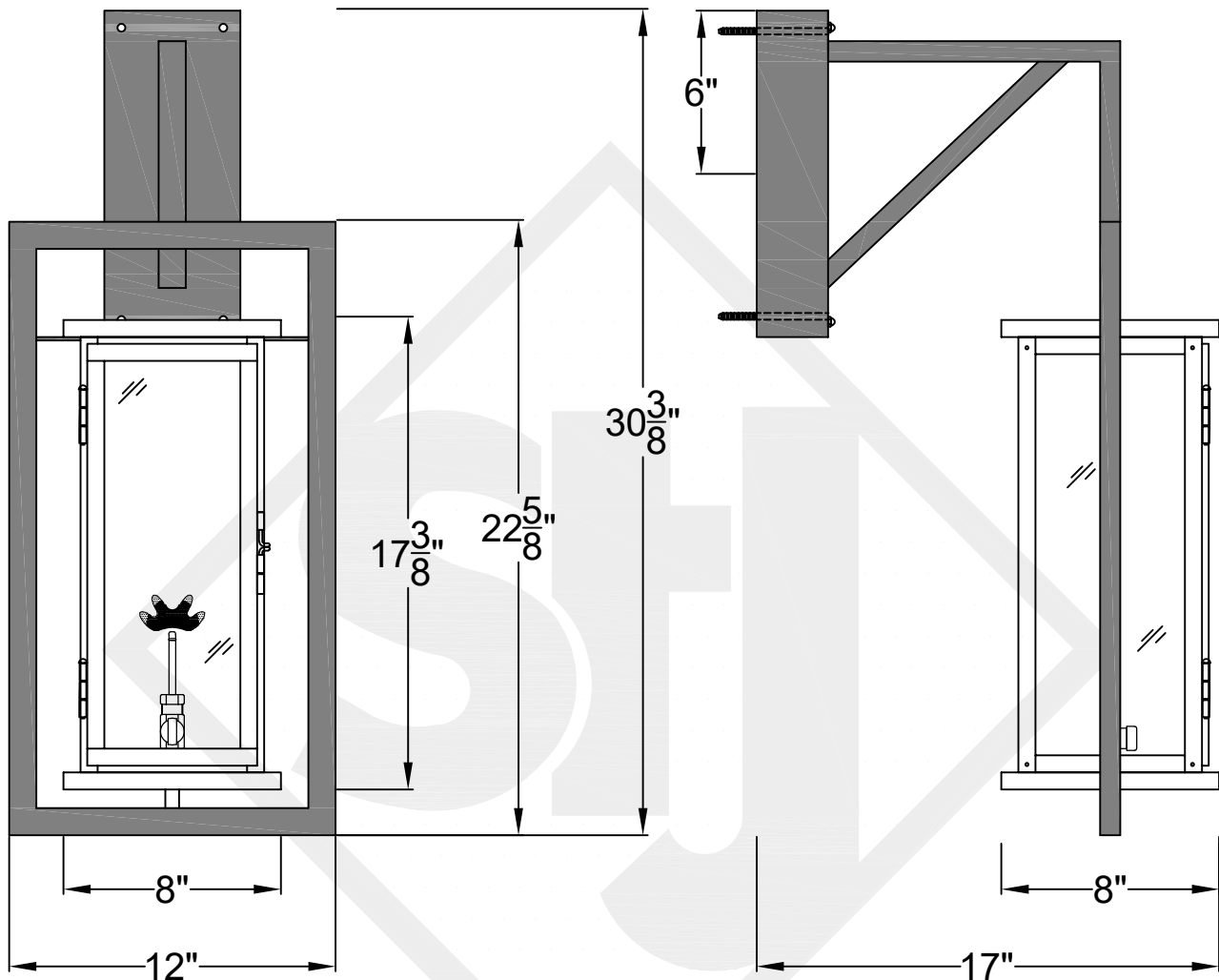
Lights are handcrafted.
Dimensions may vary by 1/4"

Mini not Available in Gas

UL Certified
Candelabra- Max 60 Watt Bulb
Edison- Max 660 Watt Bulb

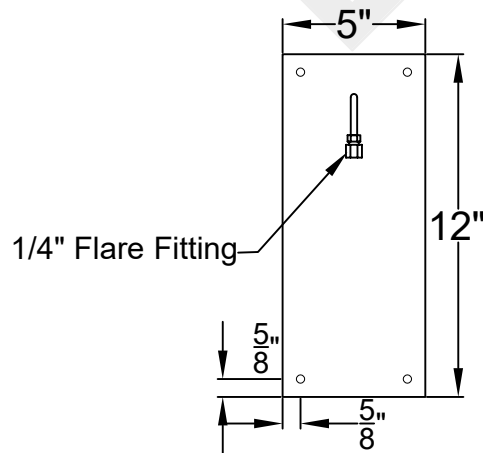
TRINITY SMALL WALL MOUNT FULL YOKE

Shortest Height $30\frac{3}{8}"$



Front View

Side View



Backplate



St. James
LIGHTING

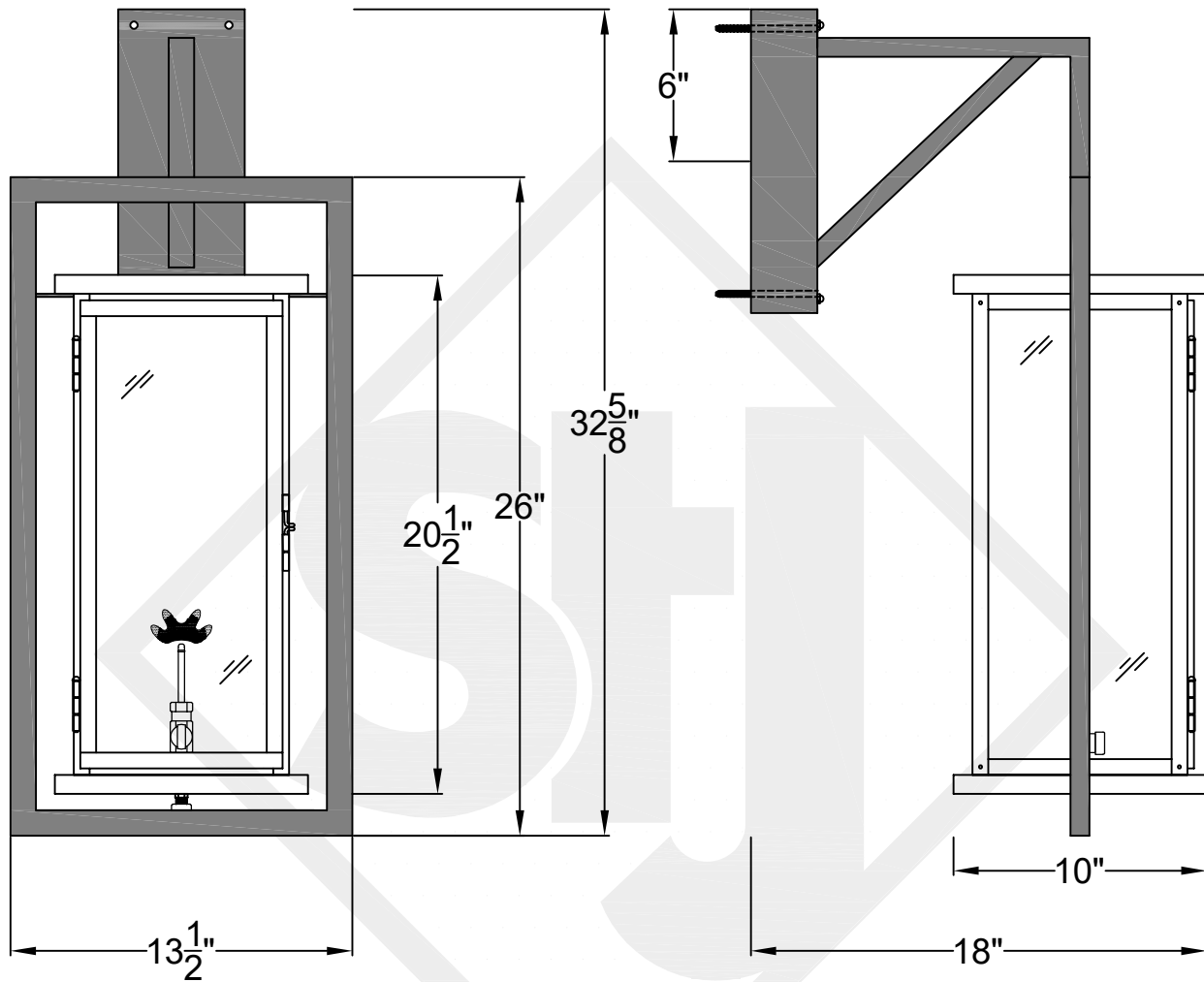
SCALE: N.T.S.	DRAFT: T. Herring
FILE: TRIS	APP'D: J. Ragan
JOB: X	DATE: 8-28-2023

Lights are handcrafted.
Dimensions may vary by 1/4"

B.T.U. Rating
Natural Gas: 2730 B.T.U.
Propane: 2080 B.T.U.

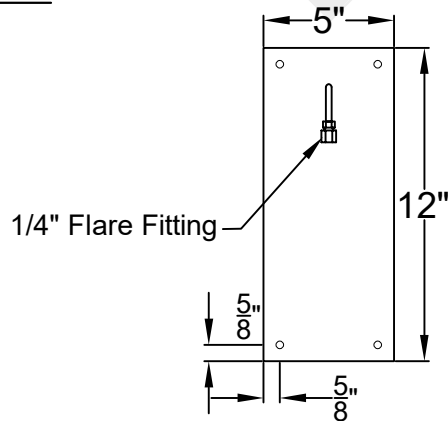
TRINITY MEDIUM WALL MOUNT FULL YOKE

Shortest Height $32\frac{5}{8}"$



Front View

Side View



Backplate



St. James
LIGHTING

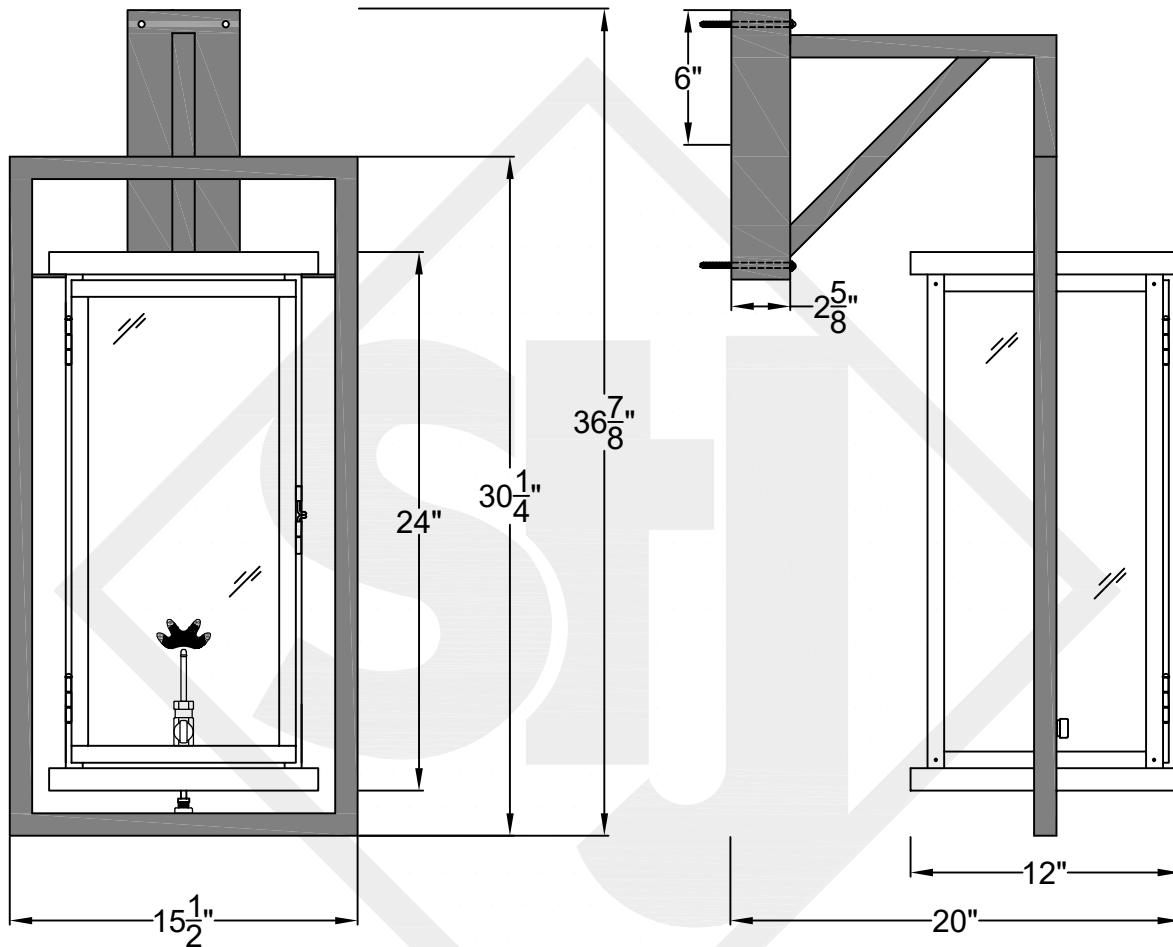
SCALE: N.T.S.	DRAFT: Y. McCullough
FILE: TRIM	APP'D: J. Ragan
JOB: X	DATE: 12/6/23

Lights are handcrafted.
Dimensions may vary by 1/4"

B.T.U. Rating
Natural Gas: 2730 B.T.U.
Propane: 2080 B.T.U.

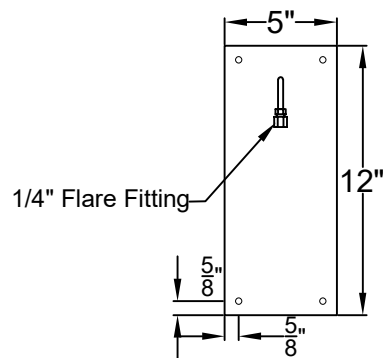
TRINITY LARGE WALL MOUNT FULL YOKE

Shortest Height $36\frac{7}{8}"$



Front View

Side View



Backplate



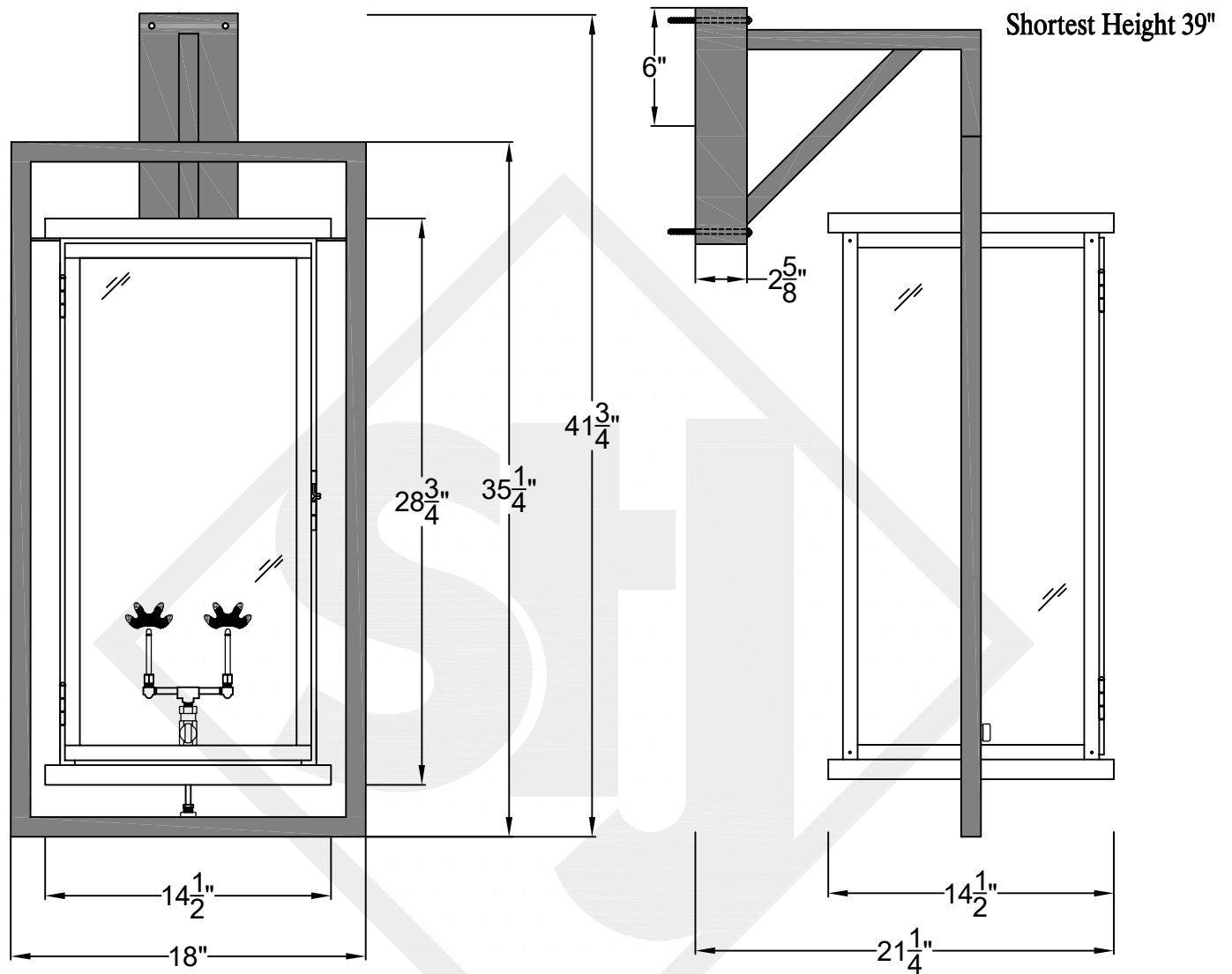
St. James
LIGHTING

SCALE: N.T.S.	DRAFT: Y. McCullough
FILE: TRIL	APP'D: J. Ragan
JOB: X	DATE: 12/18/23

Lights are handcrafted.
Dimensions may vary by 1/4"

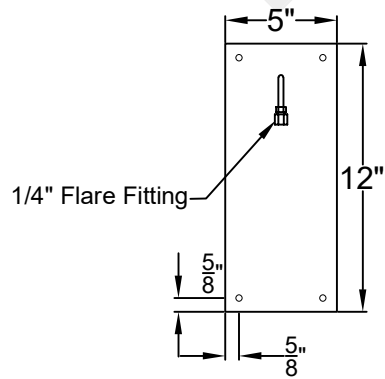
B.T.U. Rating
Natural Gas: 2730 B.T.U.
Propane: 2080 B.T.U.

TRINITY GRANDE WALL MOUNT FULL YOKE



Front View

Side View



Backplate



St. James
LIGHTING

SCALE: N.T.S.	DRAFT: Y. McCullough
FILE: TRIG	APP'D: J. Ragan
JOB: X	DATE: 12/6/23

Lights are handcrafted.
Dimensions may vary by 1/4"

B.T.U. Rating
Natural Gas: 5460 B.T.U.
Propane: 4160 B.T.U.