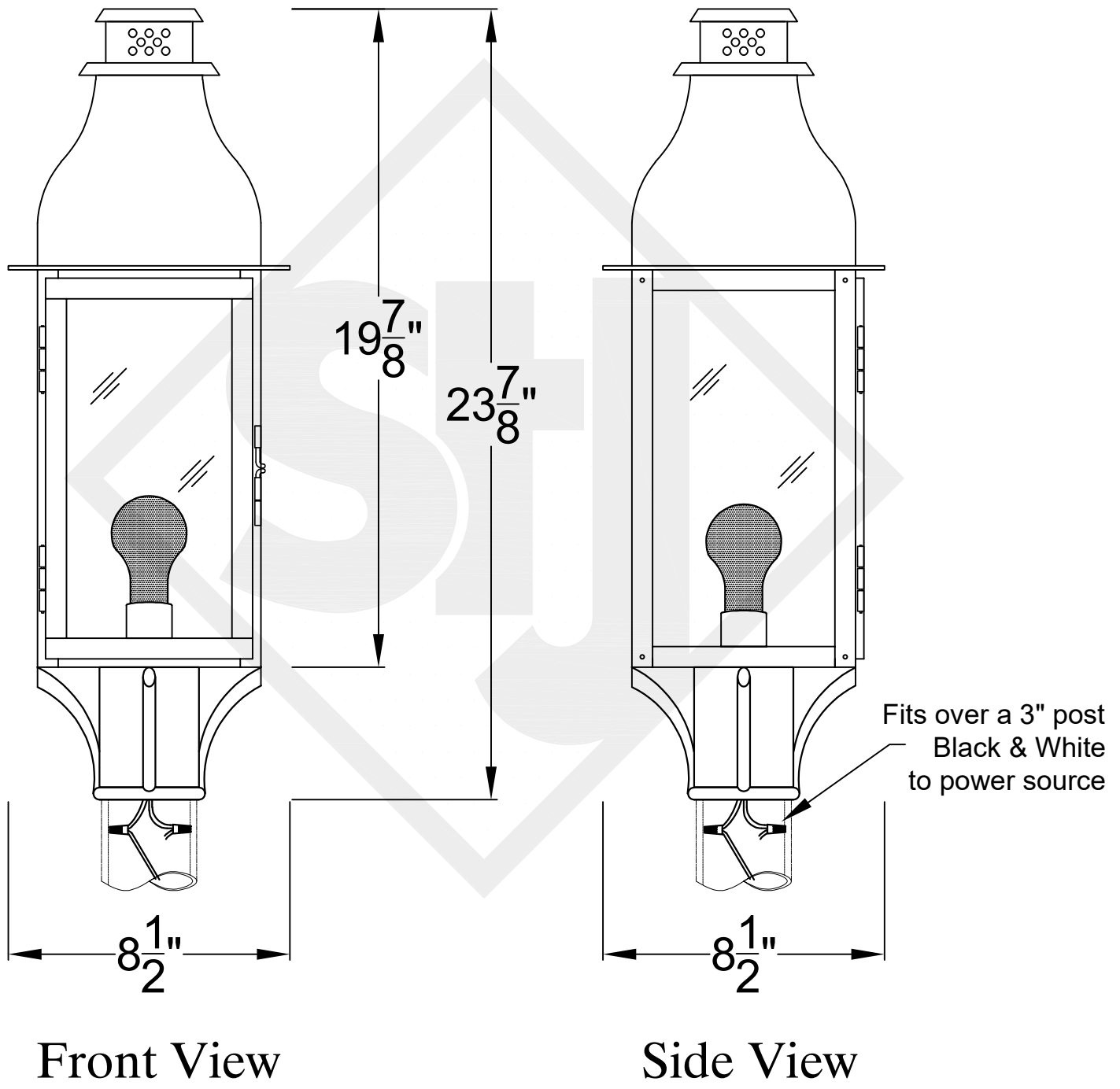


SARASOTA MINI COPPER POST MOUNT



Front View

Side View



St. James
LIGHTING

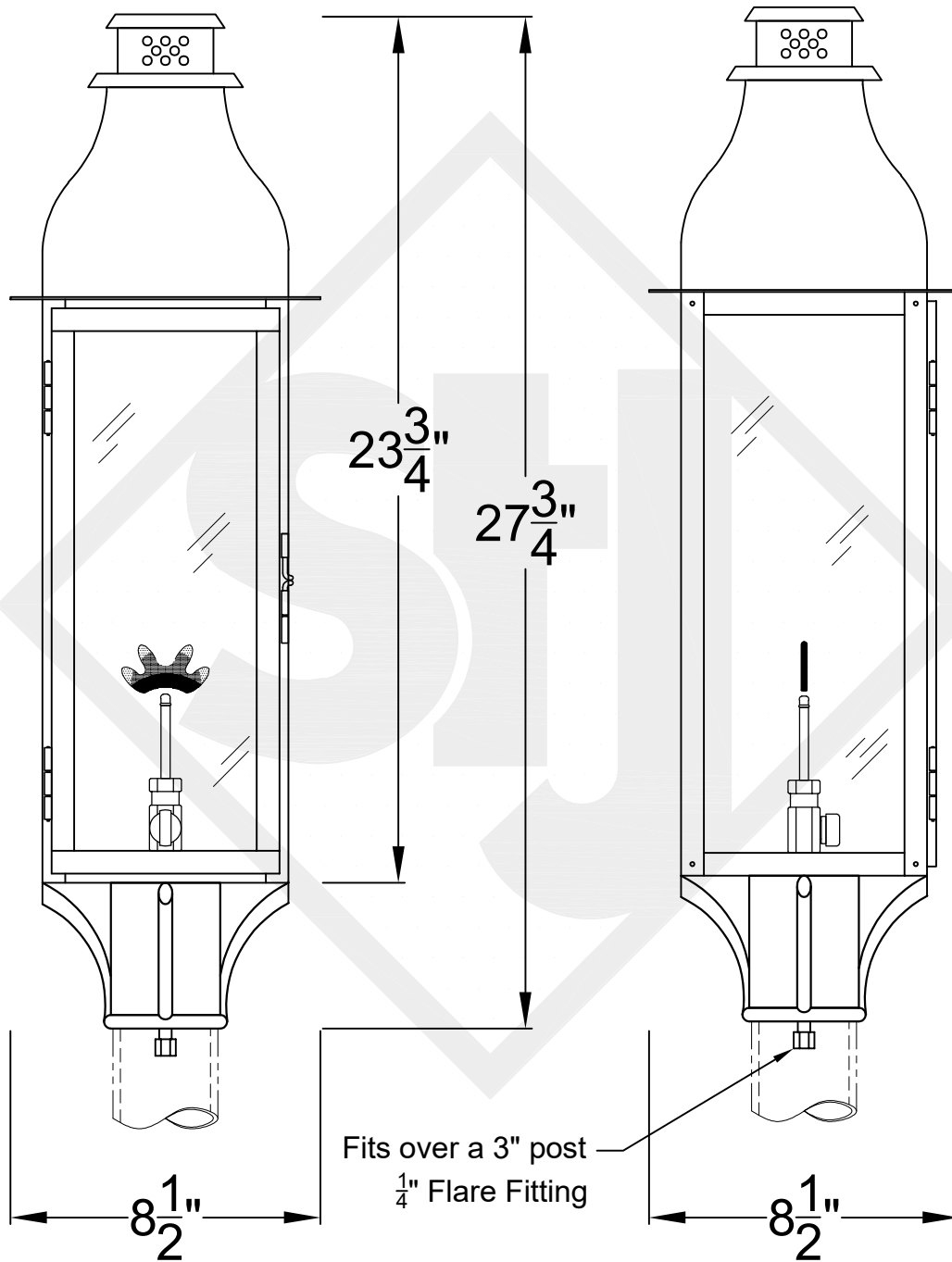
SCALE: N.T.S.	DRAFT: Y. McCullough
FILE: SARMINI	APP'D: J. Ragan
JOB: X	DATE: 11/28/23

Lights are handcrafted.
Dimensions may vary by 1/4"

UL Certified
Candelabra- Max 60 Watt Bulb
Edison- Max 660 Watt Bulb

Mini not Available in Gas

SARASOTA SMALL COPPER POST MOUNT



Front View

Side View



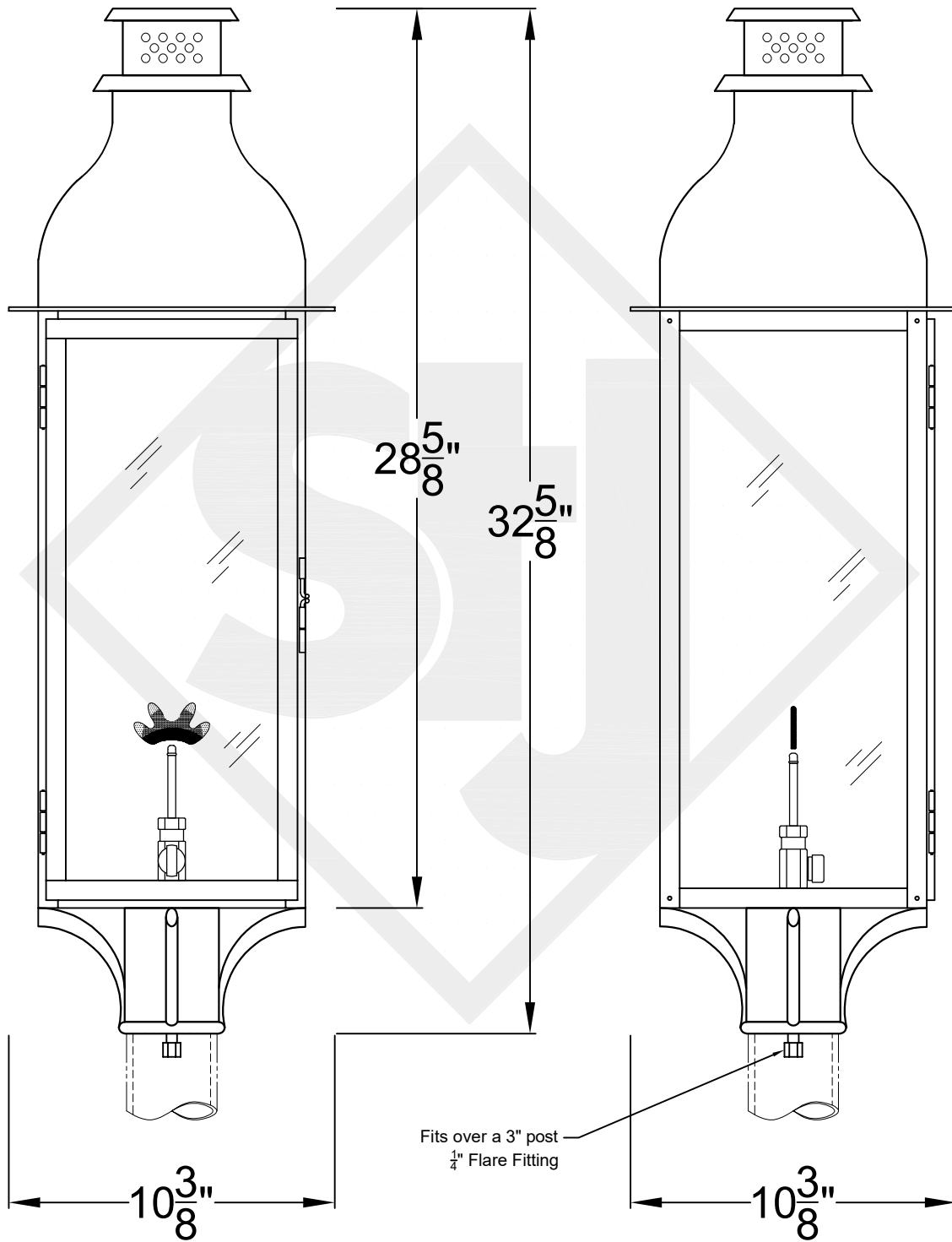
St. James
LIGHTING

SCALE: N.T.S.	DRAFT: Y. McCullough
FILE: SARS	APP'D: J. Ragan
JOB: X	DATE: 11/28/23

Lights are handcrafted.
Dimensions may vary by 1/4"

B.T.U. Rating
Natural Gas: 2730 B.T.U.
Propane: 2080 B.T.U.

SARASOTA MEDIUM COPPER POST MOUNT



Front View

Side View



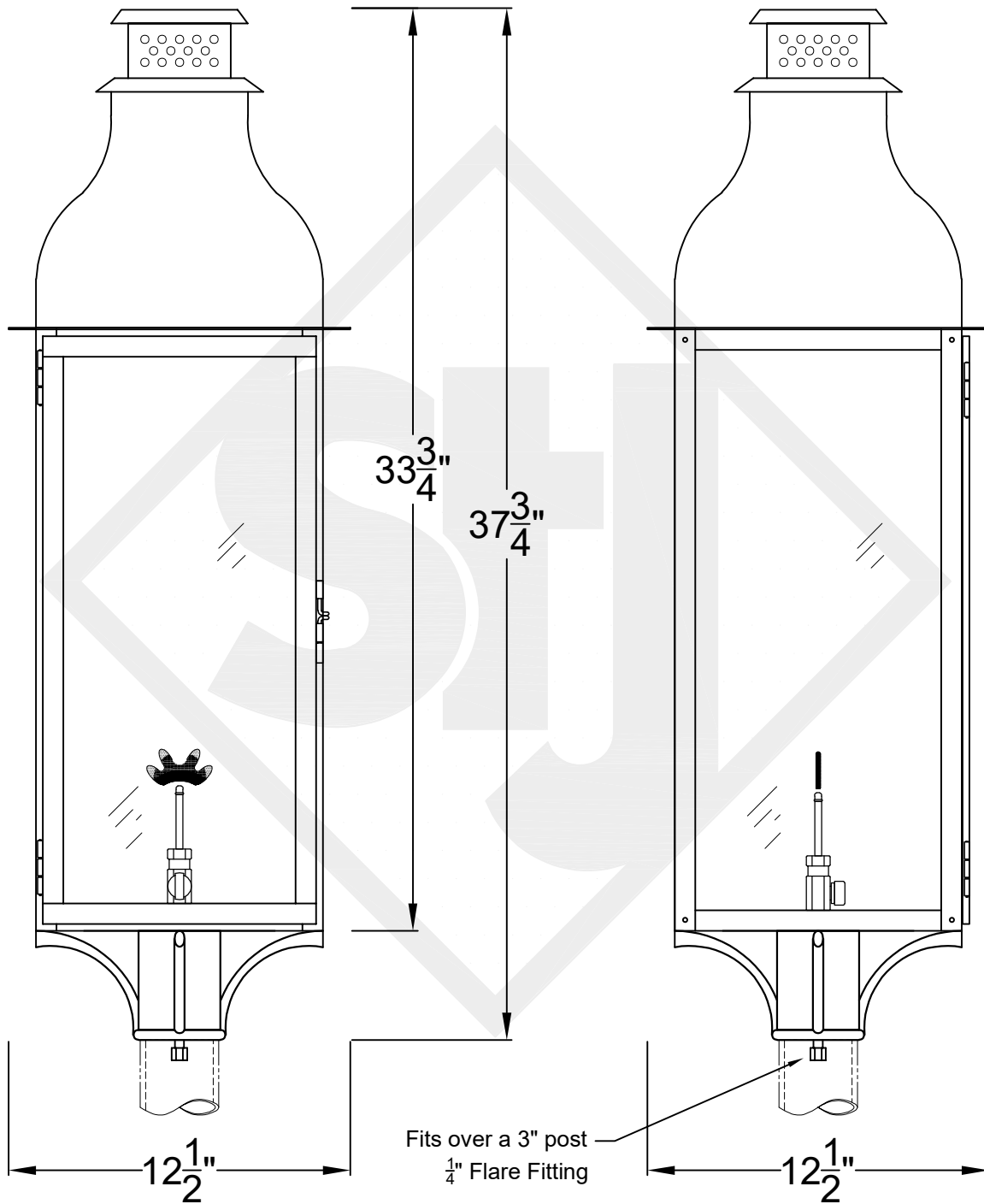
St. James
LIGHTING

SCALE: N.T.S.	DRAFT: Y. McCullough
FILE: SARM	APP'D: J. Ragan
JOB: X	DATE: 11/28/23

Lights are handcrafted.
Dimensions may vary by 1/4"

B.T.U. Rating
Natural Gas: 2730 B.T.U.
Propane: 2080 B.T.U.

SARASOTA LARGE COPPER POST MOUNT



Front View

Side View



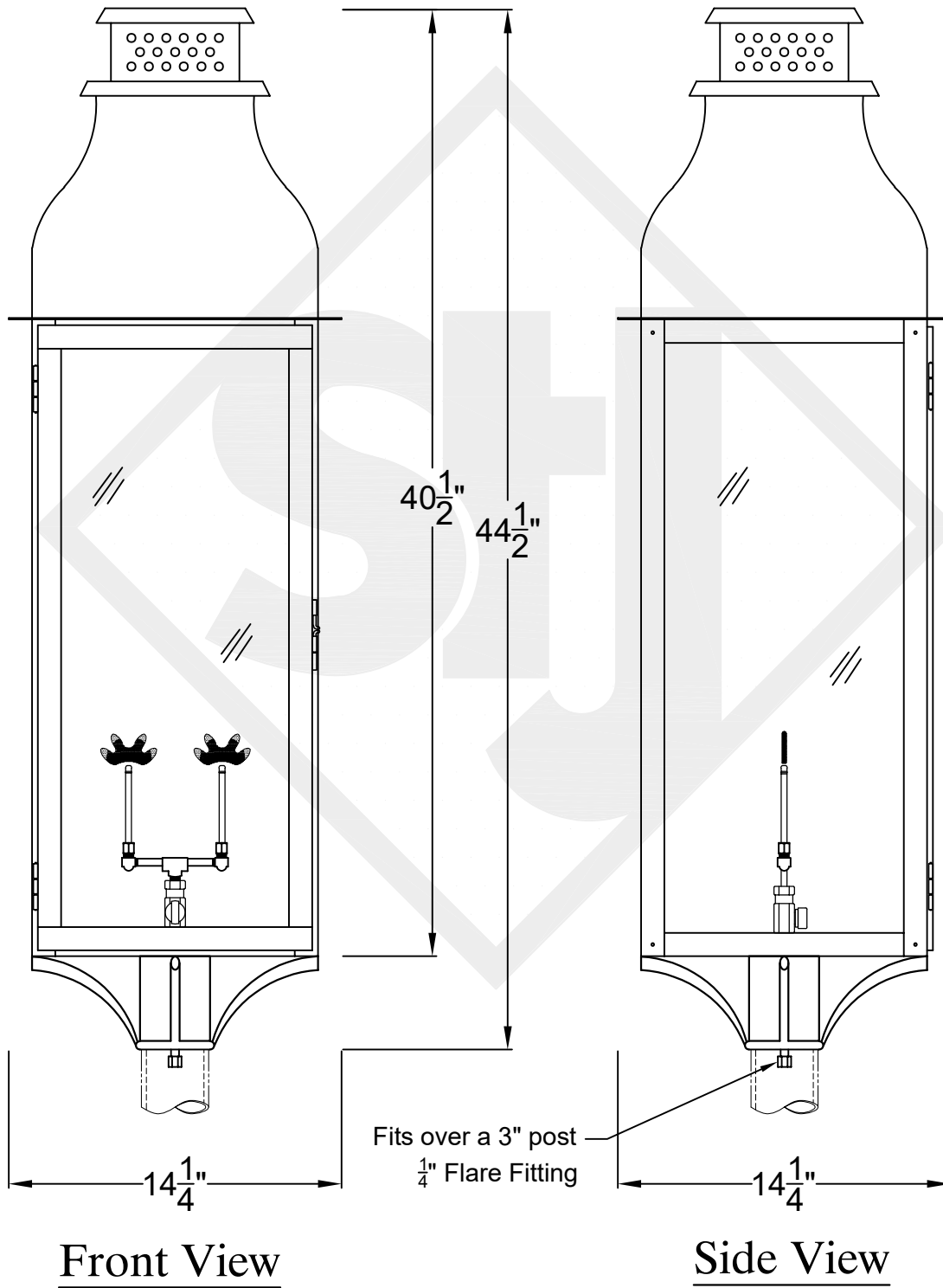
St. James
LIGHTING

SCALE: N.T.S.	DRAFT: Y. McCullough
FILE: SARL	APP'D: J. Ragan
JOB: X	DATE: 11/28/23

Lights are handcrafted.
Dimensions may vary by 1/4"

B.T.U. Rating
Natural Gas: 2730 B.T.U.
Propane: 2080 B.T.U.

SARASOTA GRANDE COPPER POST MOUNT



Front View

Side View



St. James
LIGHTING

SCALE: N.T.S.	DRAFT: Y. McCullough
FILE: SARG	APP'D: J. Ragan
JOB: X	DATE: 11/28/23

Lights are handcrafted.
Dimensions may vary by $\frac{1}{4}"$

B.T.U. Rating
Natural Gas: 5460 B.T.U.
Propane: 4160 B.T.U.