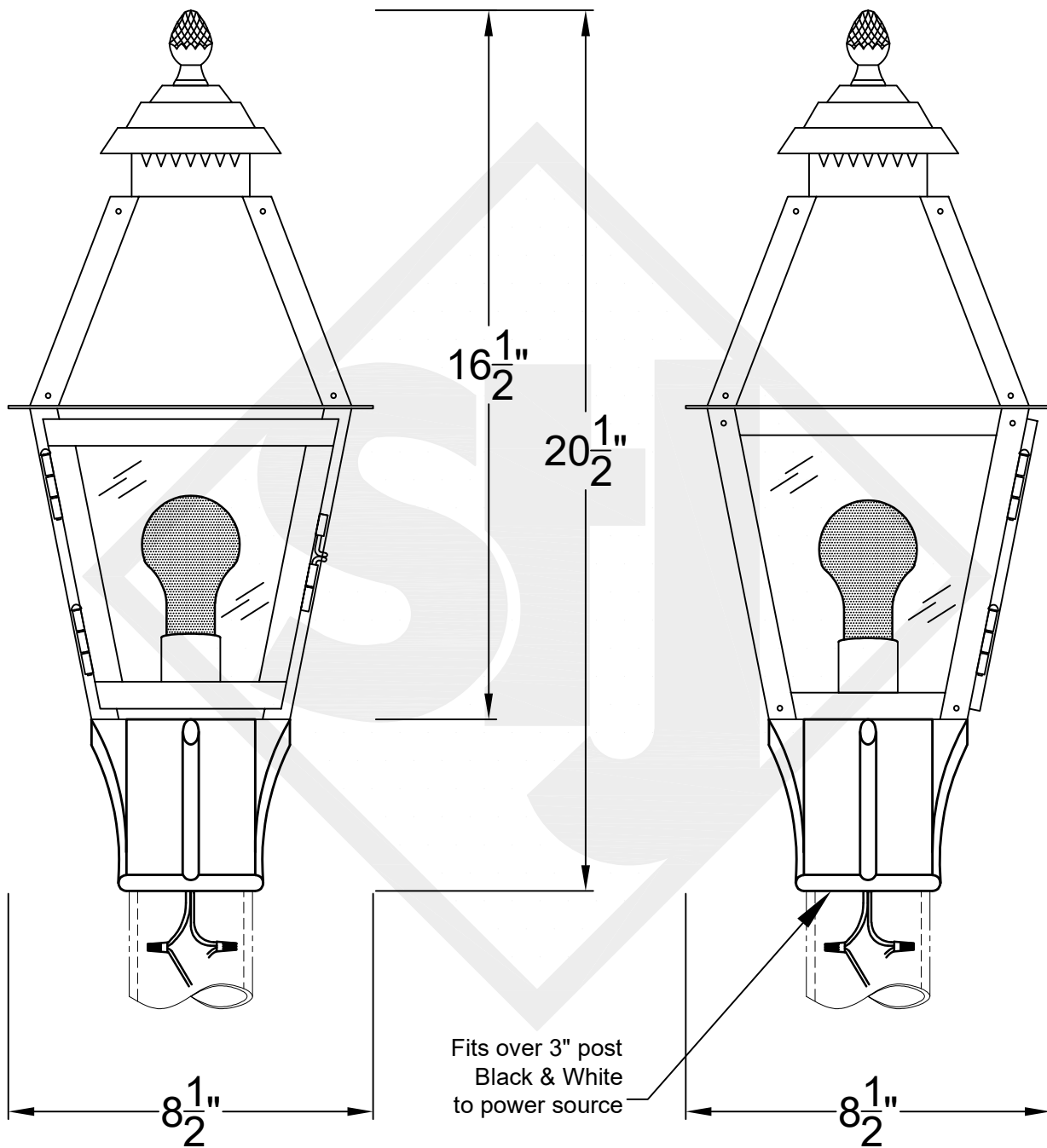


NATCHEZ MINI COPPER POST MOUNT

Available w/ Solid
or Glass Top



Front View

Side View



St. James
LIGHTING

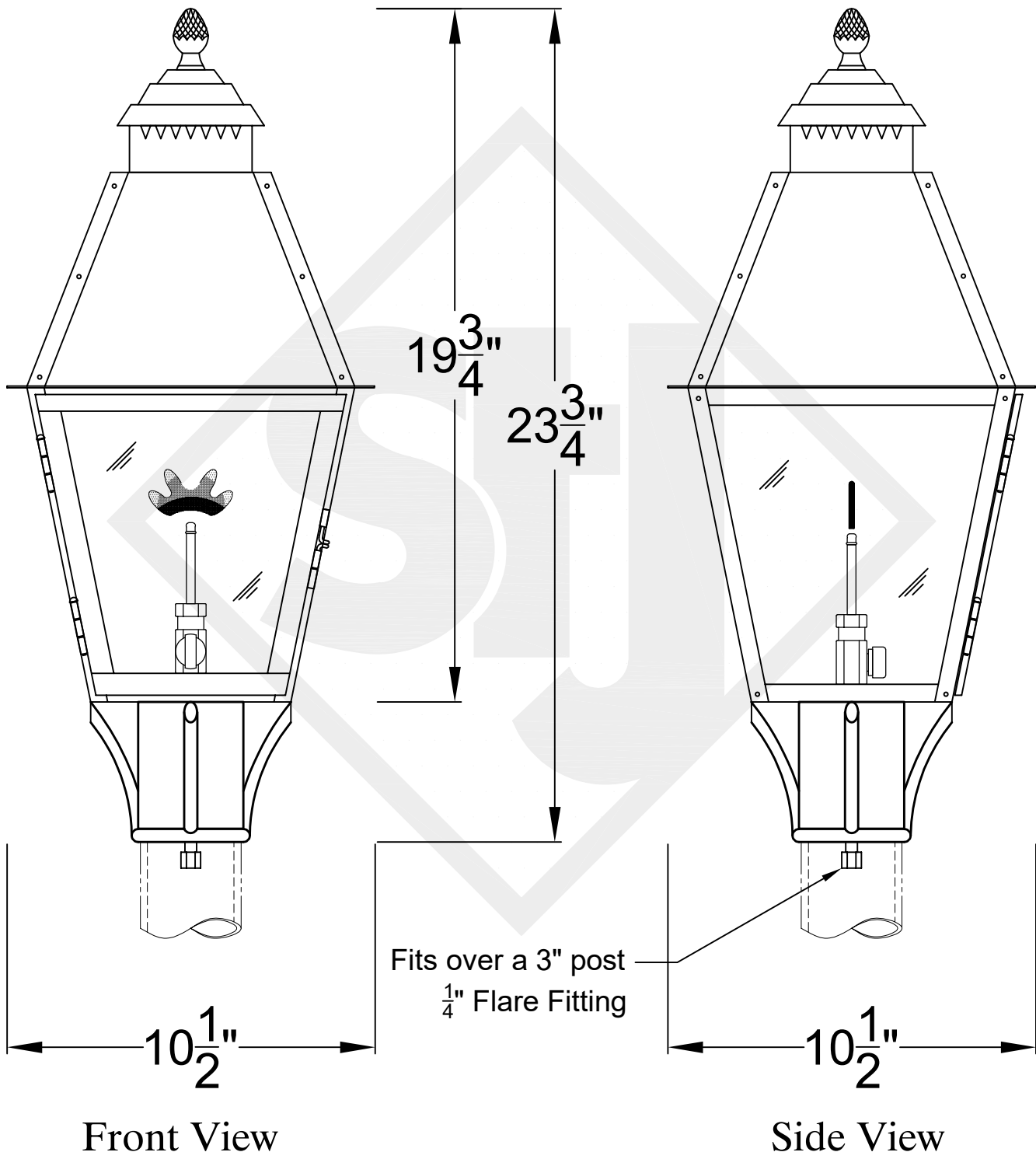
SCALE: N.T.S. DRAFT: T. Herring
FILE: NATMINI APP'D: J. Ragan
JOB: X DATE: 5-1-2023

Lights are handcrafted.
Dimensions may vary by 1/4"

Mini not available in gas
UL Certified
Candelabra- Max 60 Watt Bulb
Edison- Max 660 Watt Bulb

NATCHEZ SMALL COPPER POST MOUNT

Available w/ Solid
or Glass Top



St. James
LIGHTING

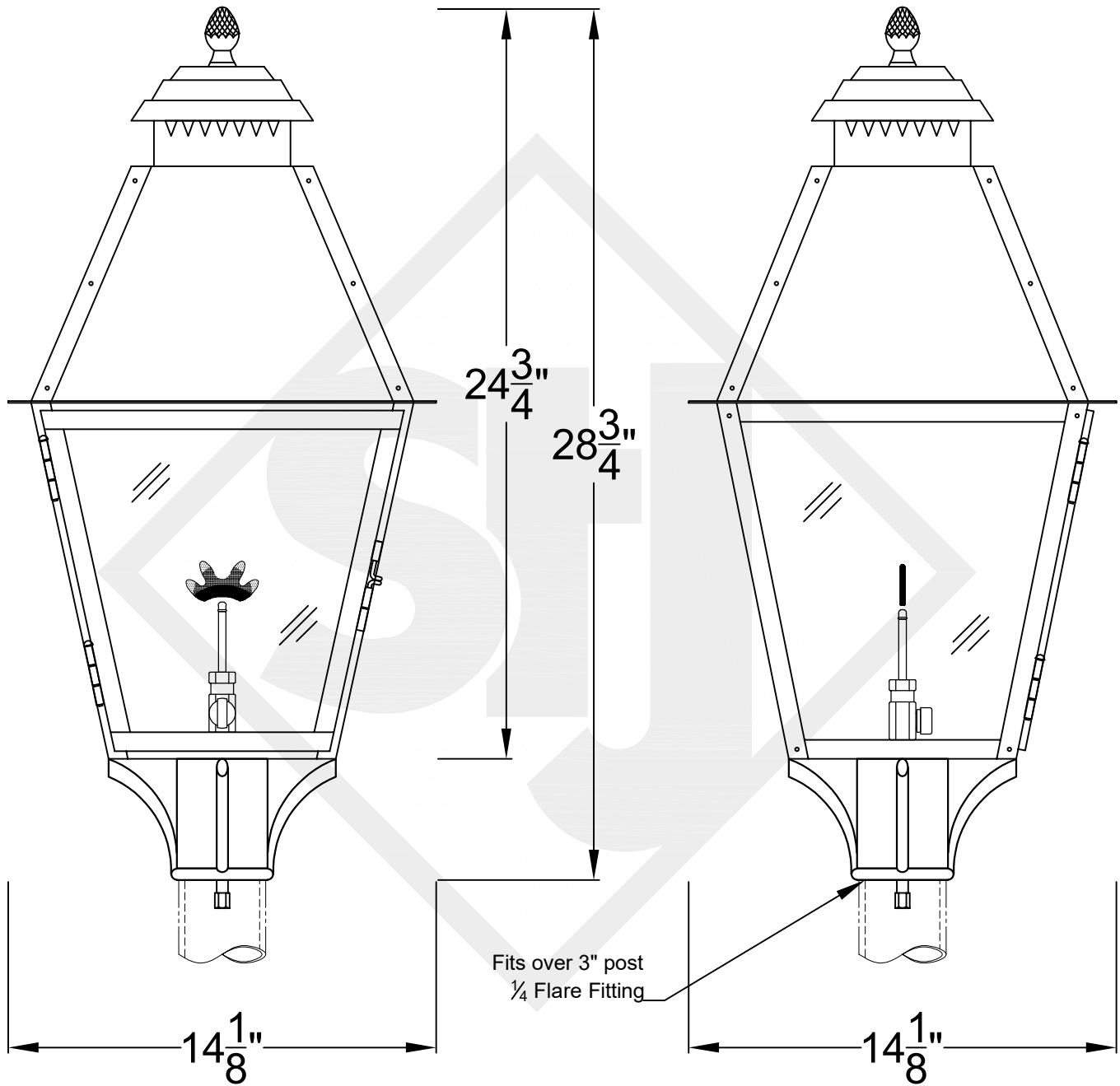
SCALE: N.T.S. DRAFT: T. Herring
FILE: NATS APP'D: J. Ragan
JOB: X DATE: 8-17-2023

Lights are handcrafted.
Dimensions may vary by 1/4"

B.T.U. Rating
Natural Gas: 2730 B.T.U.
Propane: 2080 B.T.U.

NATCHEZ MEDIUM COPPER POST MOUNT

Available w/ Solid
or Glass Top



Front View

Side View



**St. James
LIGHTING**

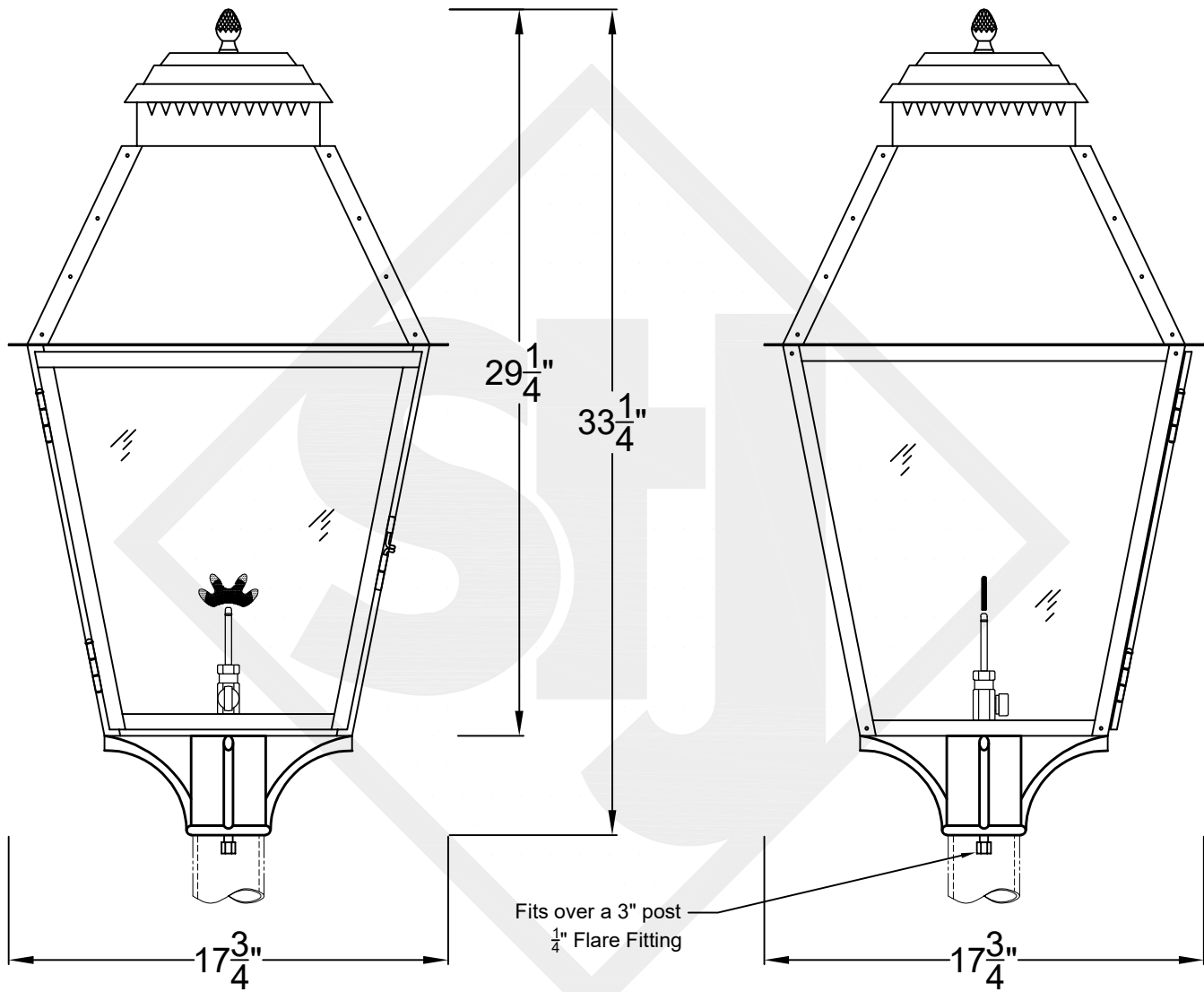
SCALE: N.T.S.	DRAFT: Y. McCullough
FILE: NATM	APP'D: J. Ragan
JOB: X	DATE: 11/20/23

Lights are handcrafted.
Dimensions may vary by 1/4"

B.T.U. Rating
Natural Gas: 2730 B.T.U.
Propane: 2080 B.T.U.

NATCHEZ LARGE COPPER POST MOUNT

Available w/ Solid
or Glass Top



Front View

Side View



St. James
LIGHTING

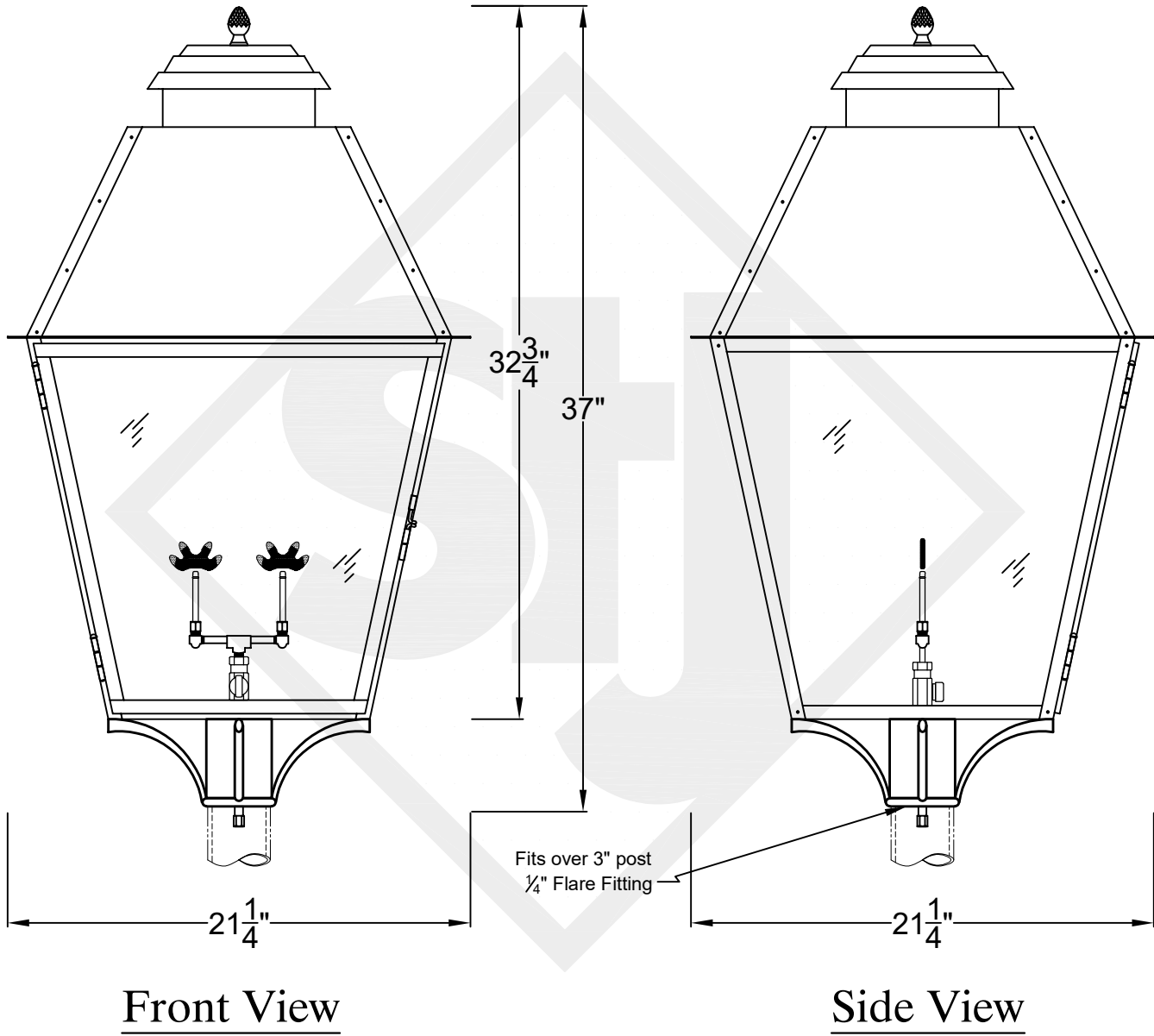
SCALE: N.T.S. DRAFT: Y. McCullough
FILE: NATL APP'D: J. Ragan
JOB: X DATE: 11/20/23

Lights are handcrafted.
Dimensions may vary by 1/4"

B.T.U. Rating
Natural Gas: 5460 B.T.U.
Propane: 4160 B.T.U.

NATCHEZ GRANDE COPPER POST MOUNT

Available w/ Solid
or Glass Top



Front View

Side View



St. James
LIGHTING

SCALE: N.T.S. DRAFT: T. Herring
FILE: NATG APP'D: J. Ragan
JOB: X DATE: 8-17-2023

Lights are handcrafted.
Dimensions may vary by $\frac{1}{4}"$

B.T.U. Rating
Natural Gas: 5460 B.T.U.
Propane: 4160 B.T.U.