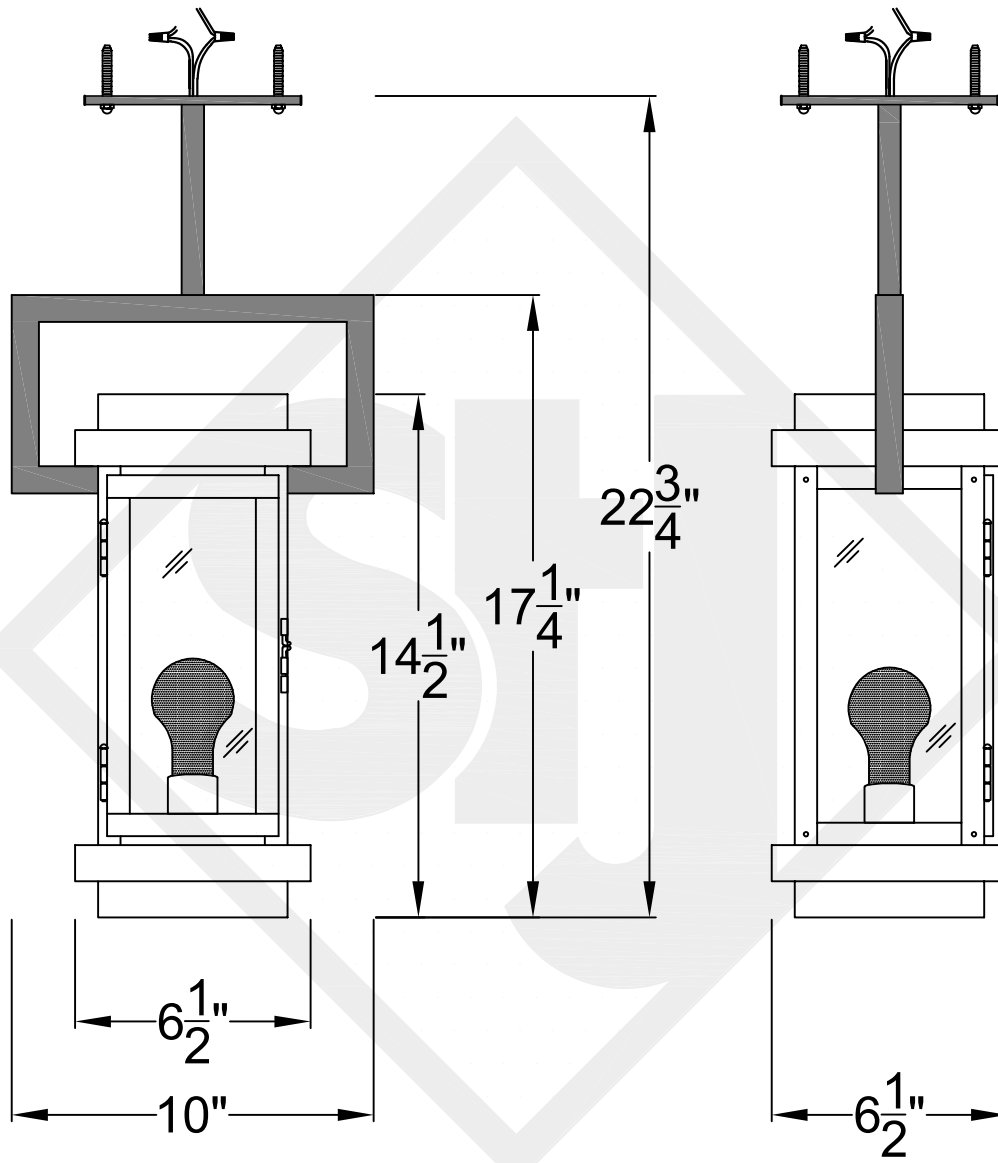


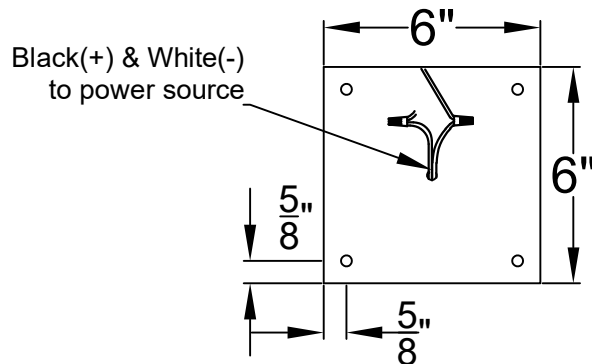
WINNIPEG MINI CEILING MOUNT HALF YOKE

Shortest Height 19"



Front View

Side View



Ceiling Mount



St. James
LIGHTING

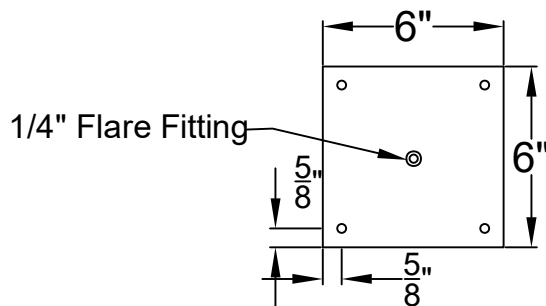
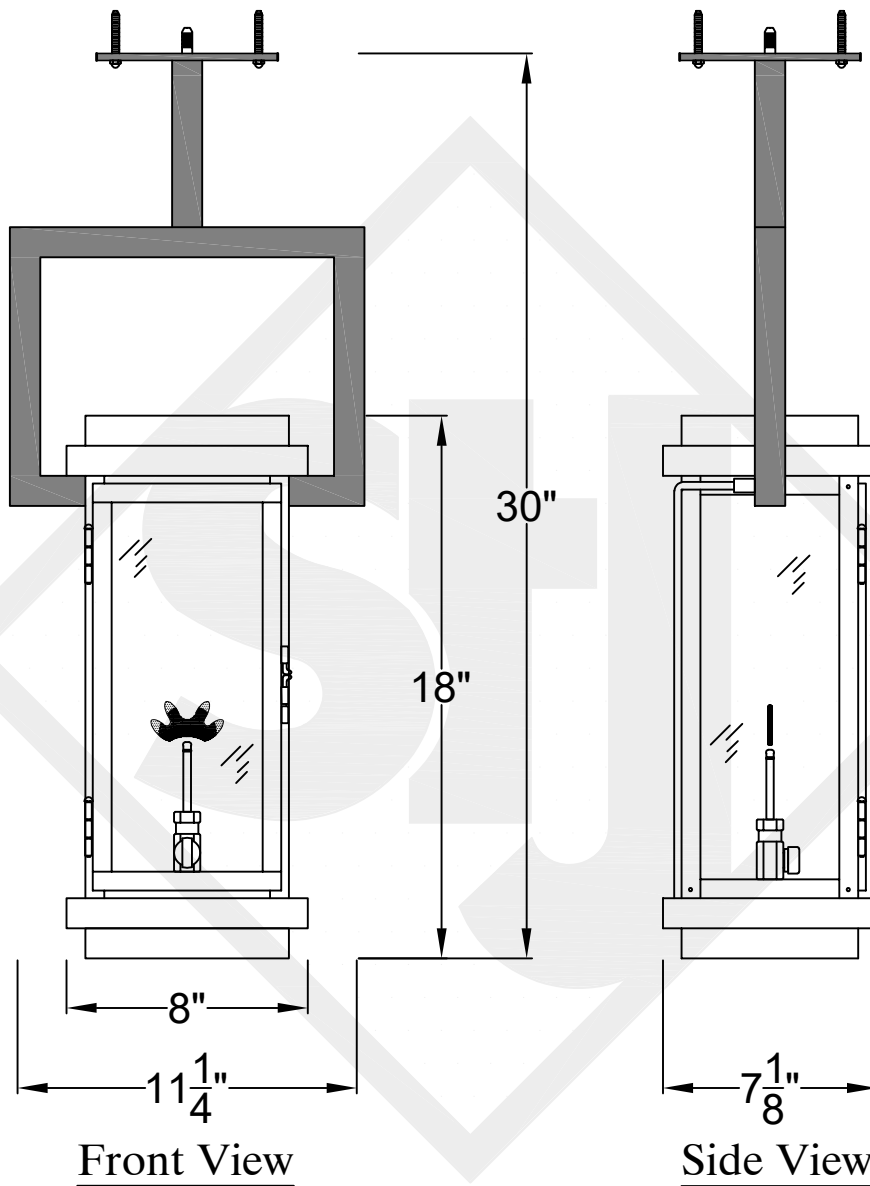
SCALE: N.T.S.	DRAFT: T. Herring
FILE: WINMINI	APP'D: J. Ragan
JOB: X	DATE: 8-29-2023

Lights are handcrafted.
Dimensions may vary by 1/4"

Mini not Available in Gas
UL Certified
Candelabra- Max 60 Watt Bulb
Edison- Max 660 Watt Bulb

WINNIPEG SMALL CEILING MOUNT HALF YOKE

Shortest Height 28"



Ceiling Mount



**St. James
LIGHTING**

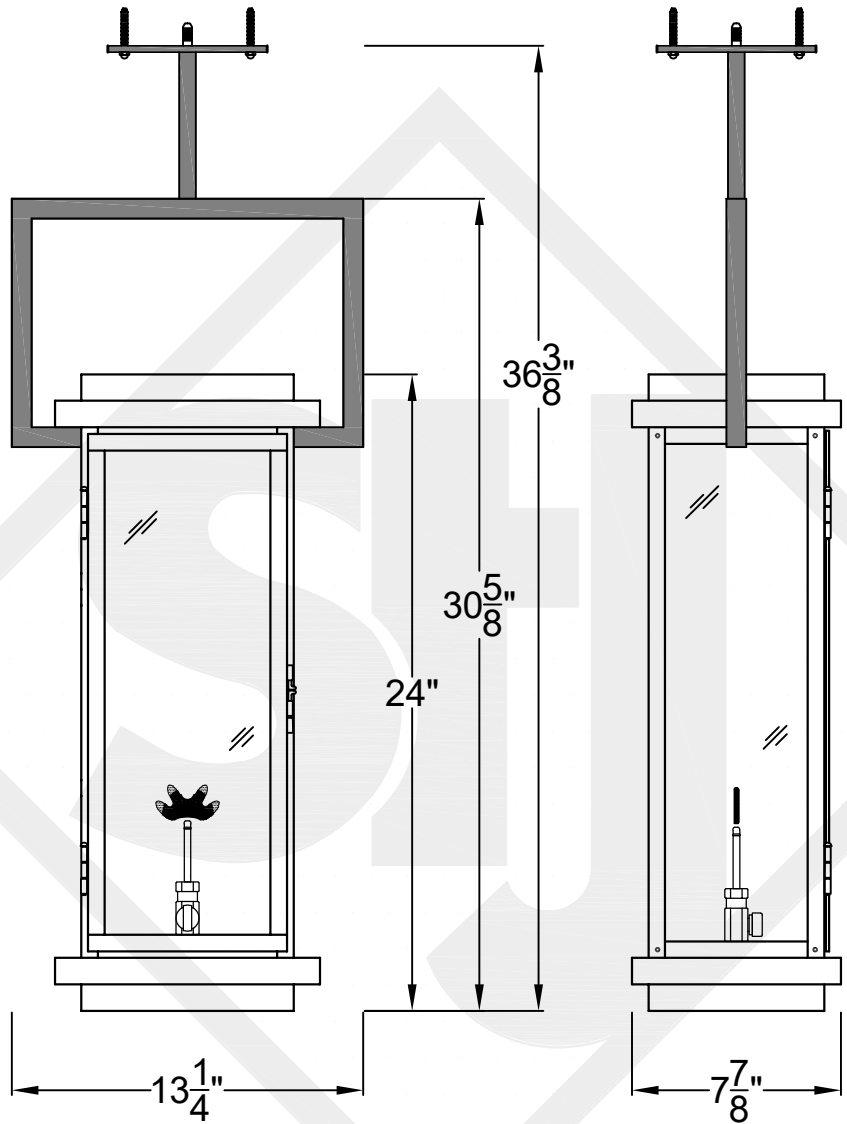
SCALE: N.T.S.	DRAFT: T. Herring
FILE: WINS	APP'D: J. Ragan
JOB: X	DATE: 8-29-2023

Lights are handcrafted.
Dimensions may vary by 1/4"

B.T.U. Rating
Natural Gas: 2730 B.T.U.
Propane: 2080 B.T.U.

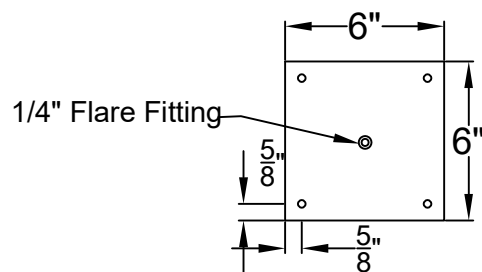
WINNIPEG MEDIUM CEILING MOUNT HALF YOKE

Shortest Height 34"



Front View

Side View



Ceiling Mount



LIGHTING

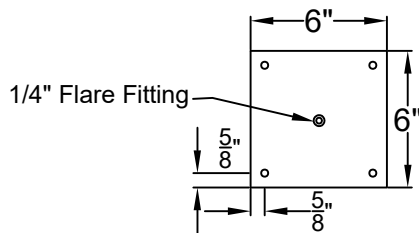
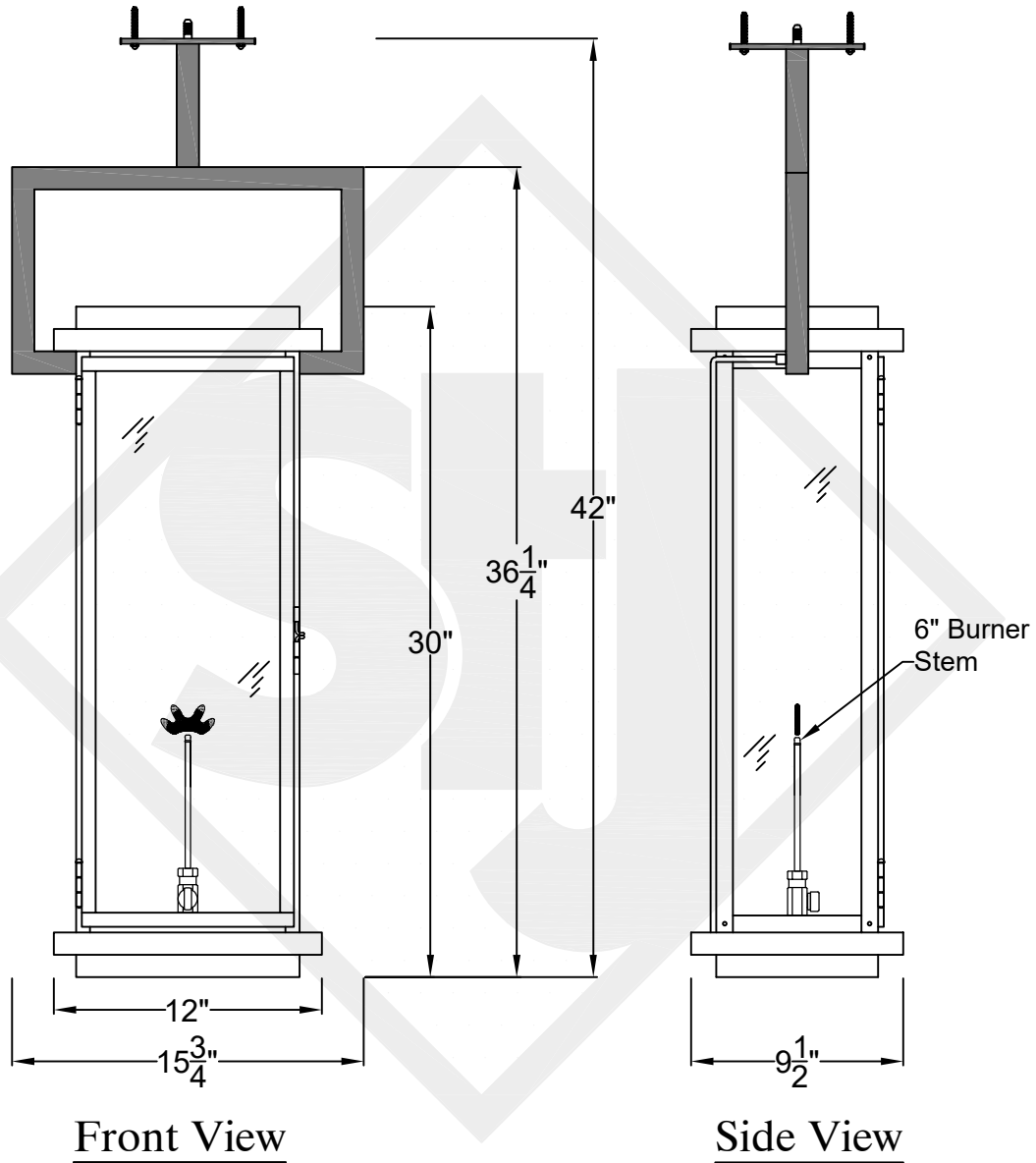
SCALE: N.T.S. DRAFT: J. Grippo
 FILE: WINM APP'D: J. Ragan
 JOB: X DATE: 10-19-2023


Lights are handcrafted.
 Dimensions may vary by 1/4"

B.T.U. Rating
 Natural Gas: 2730 B.T.U.
 Propane: 2080 B.T.U.

WINNIPEG LARGE CEILING MOUNT HALF YOKE

Shortest Height 40"



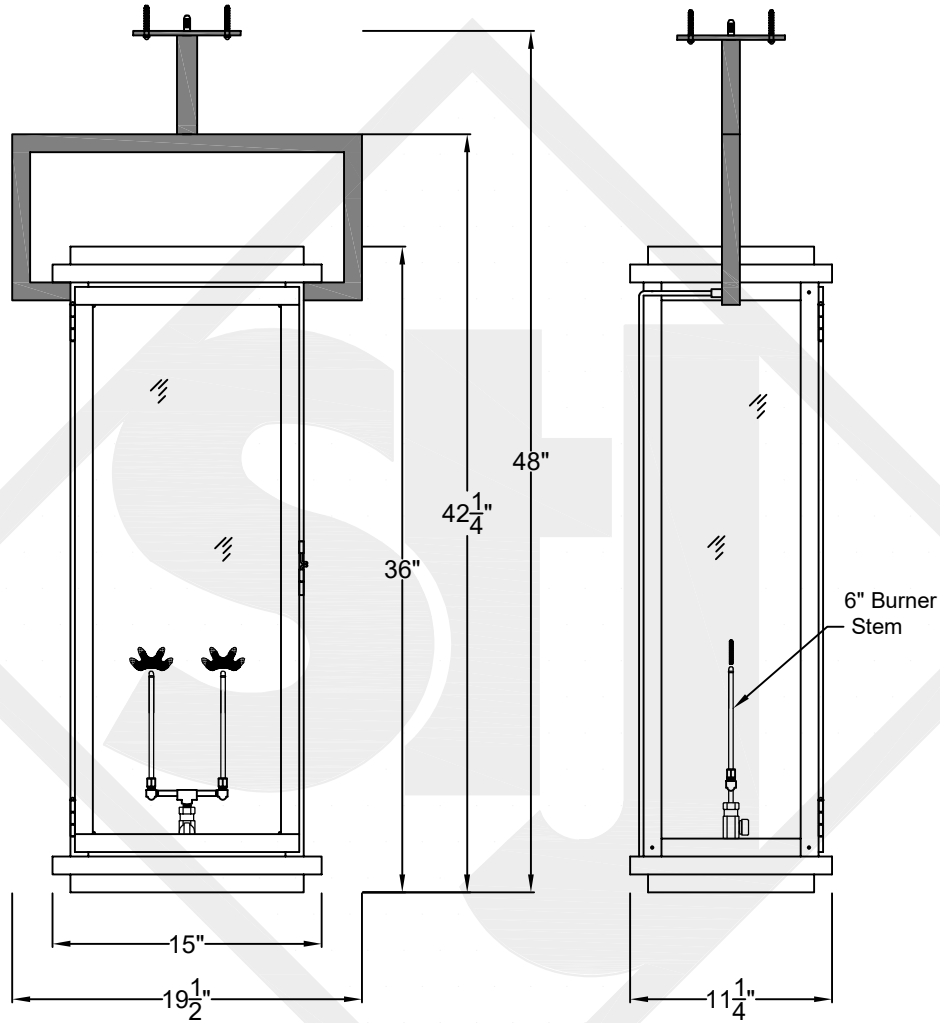
 St. James LIGHTING	
SCALE: N.T.S.	DRAFT: Y. McCullough
FILE: WINL	APP'D: J. Ragan
JOB: X	DATE: 12/6/23

Lights are handcrafted.
Dimensions may vary by 1/4"

B.T.U. Rating
Natural Gas: 2730 B.T.U.
Propane: 2080 B.T.U.

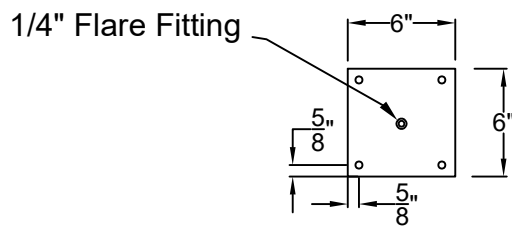
WINNIPEG GRANDE CEILING MOUNT HALF YOKE

Shortest Height 46"



Front View

Side View



Ceiling Mount



St. James
LIGHTING

SCALE: N.T.S.	DRAFT: Y. McCullough
FILE: WING	APP'D: J. Ragan
JOB: X	DATE: 12/6/23

Lights are handcrafted.
Dimensions may vary by 1/4"

B.T.U. Rating
Natural Gas: 5460 B.T.U.
Propane: 4160 B.T.U.