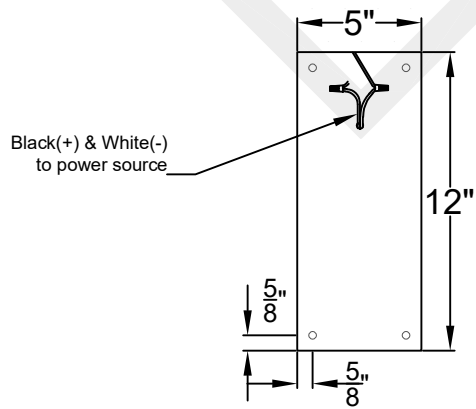
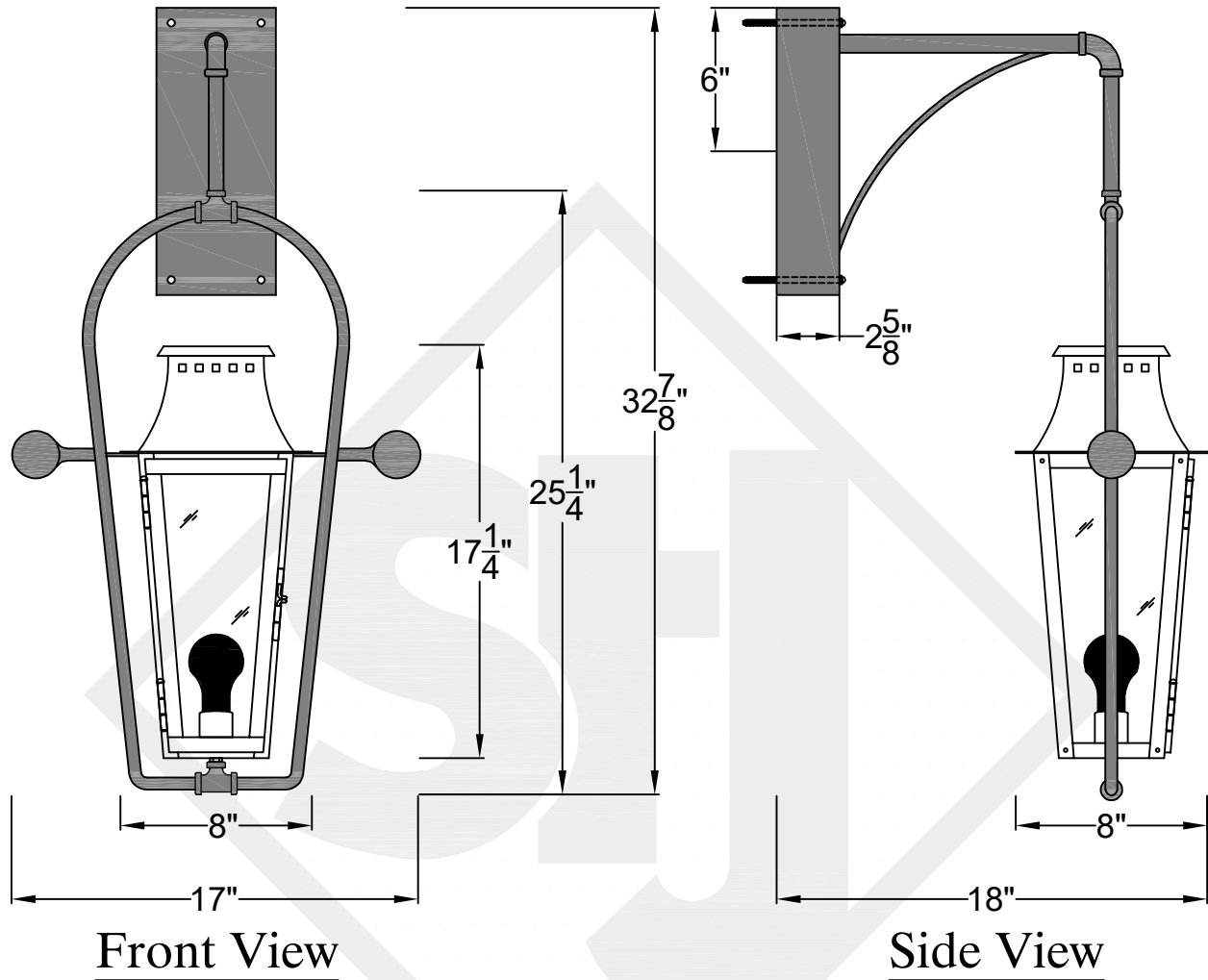


# WOOD DALE MINI WALL MOUNT FULL YOKE

Shortest Height 29  $\frac{1}{8}$ "



**St. James  
LIGHTING**

SCALE: N.T.S.	DRAFT: T. Herring
FILE: WOOMINI	APP'D: J. Ragan
JOB: X	DATE: 8-29-2023

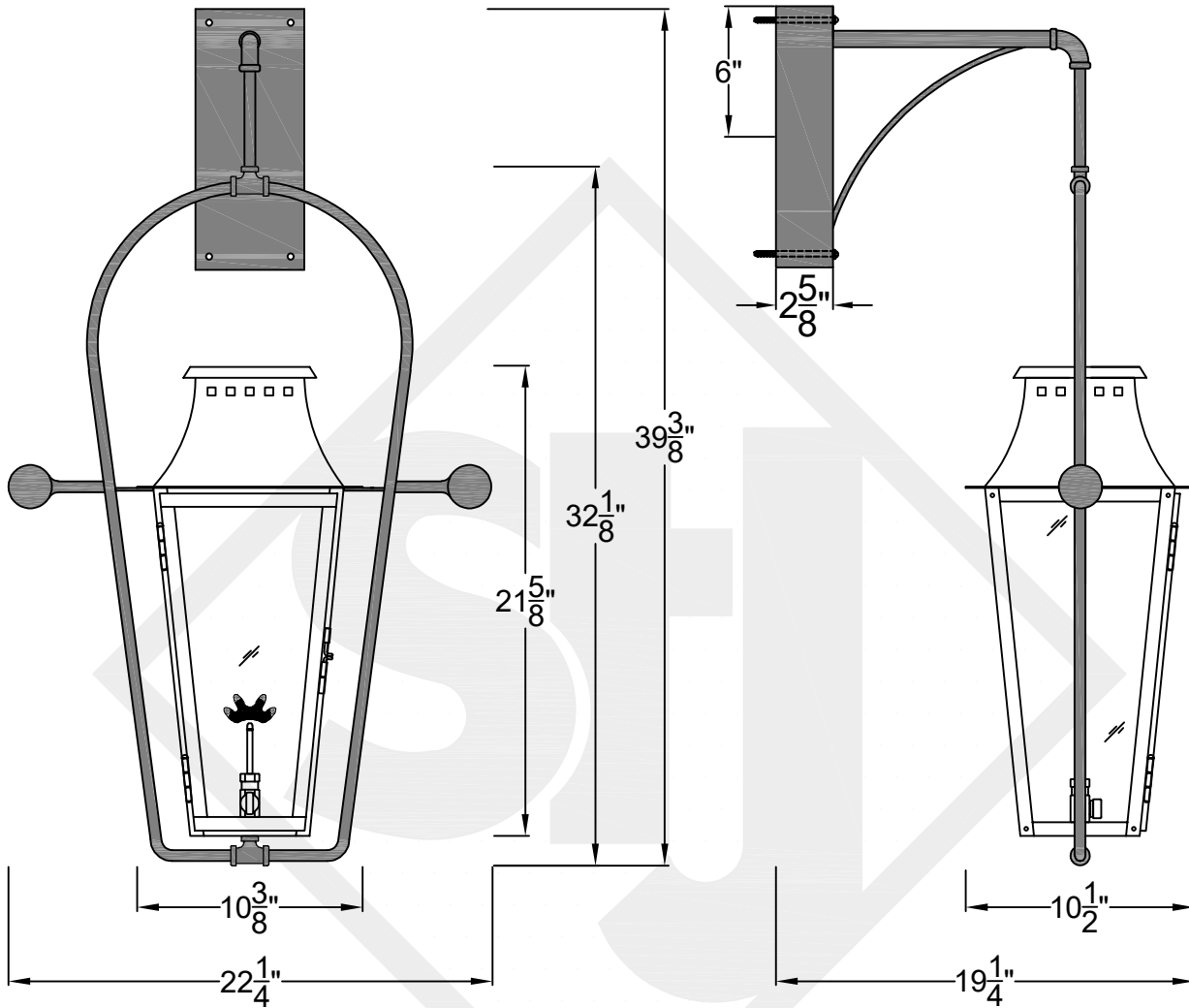
Lights are handcrafted.  
Dimensions may vary by 1/4"

**Mini not Available in Gas**

UL Certified  
Candelabra- Max 60 Watt Bulb  
Edison- Max 660 Watt Bulb

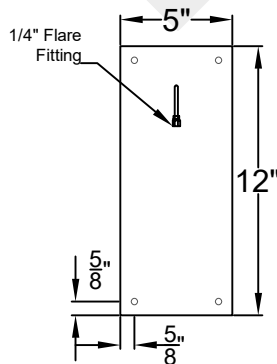
# WOOD DALE SMALL WALL MOUNT FULL YOKE

Shortest Height 36"



Front View

Side View



Ceiling Mount



St. James  
LIGHTING

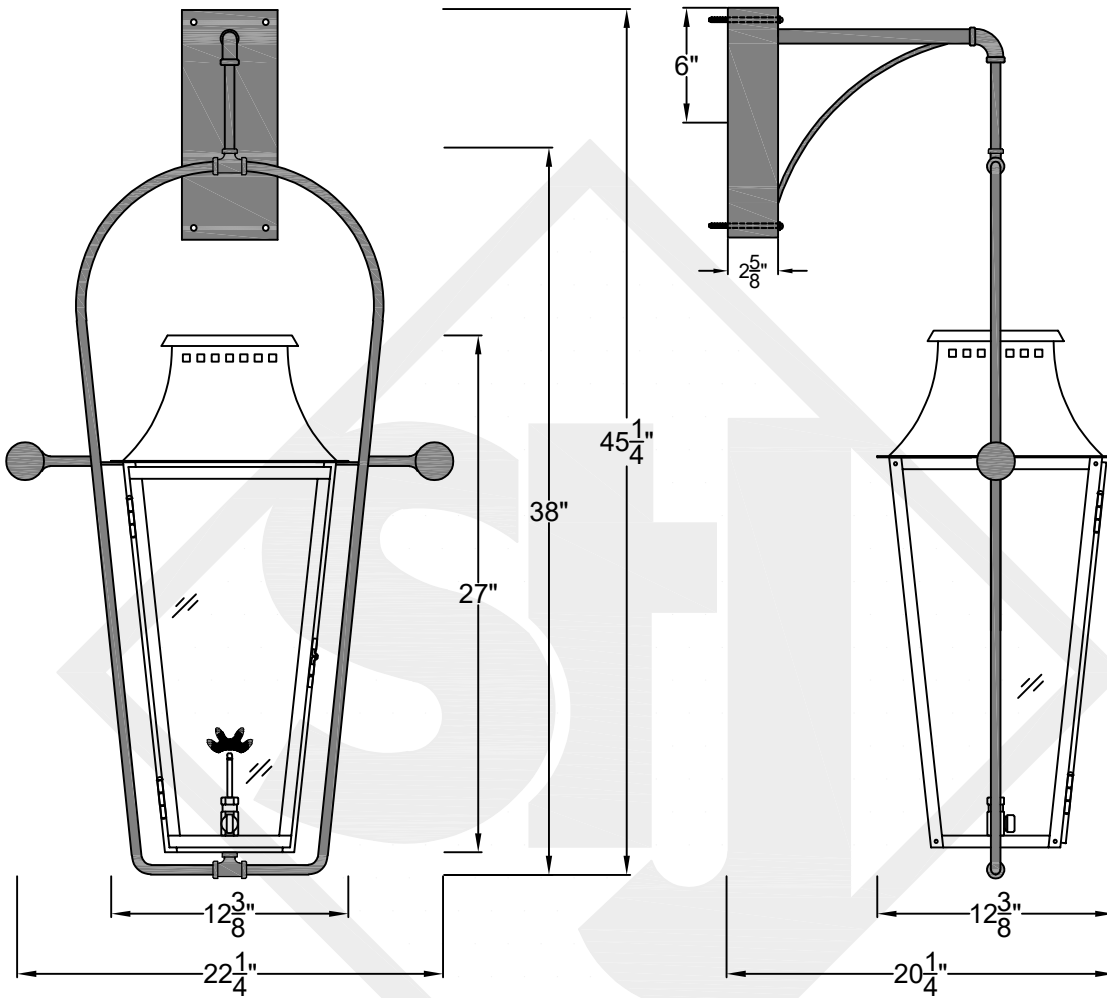
SCALE: N.T.S.	DRAFT: T. Herring
FILE: WOOS	APP'D: J. Ragan
JOB: X	DATE: 8-29-2023

Lights are handcrafted.  
Dimensions may vary by 1/4"

B.T.U. Rating  
Natural Gas: 2730 B.T.U.  
Propane: 2080 B.T.U.

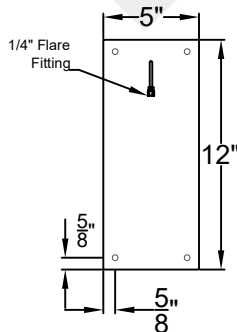
# WOOD DALE MEDIUM WALL MOUNT FULL YOKE

Shortest Height  $41 \frac{3}{4}$ "



Front View

Side View



Backplate



**St. James  
LIGHTING**

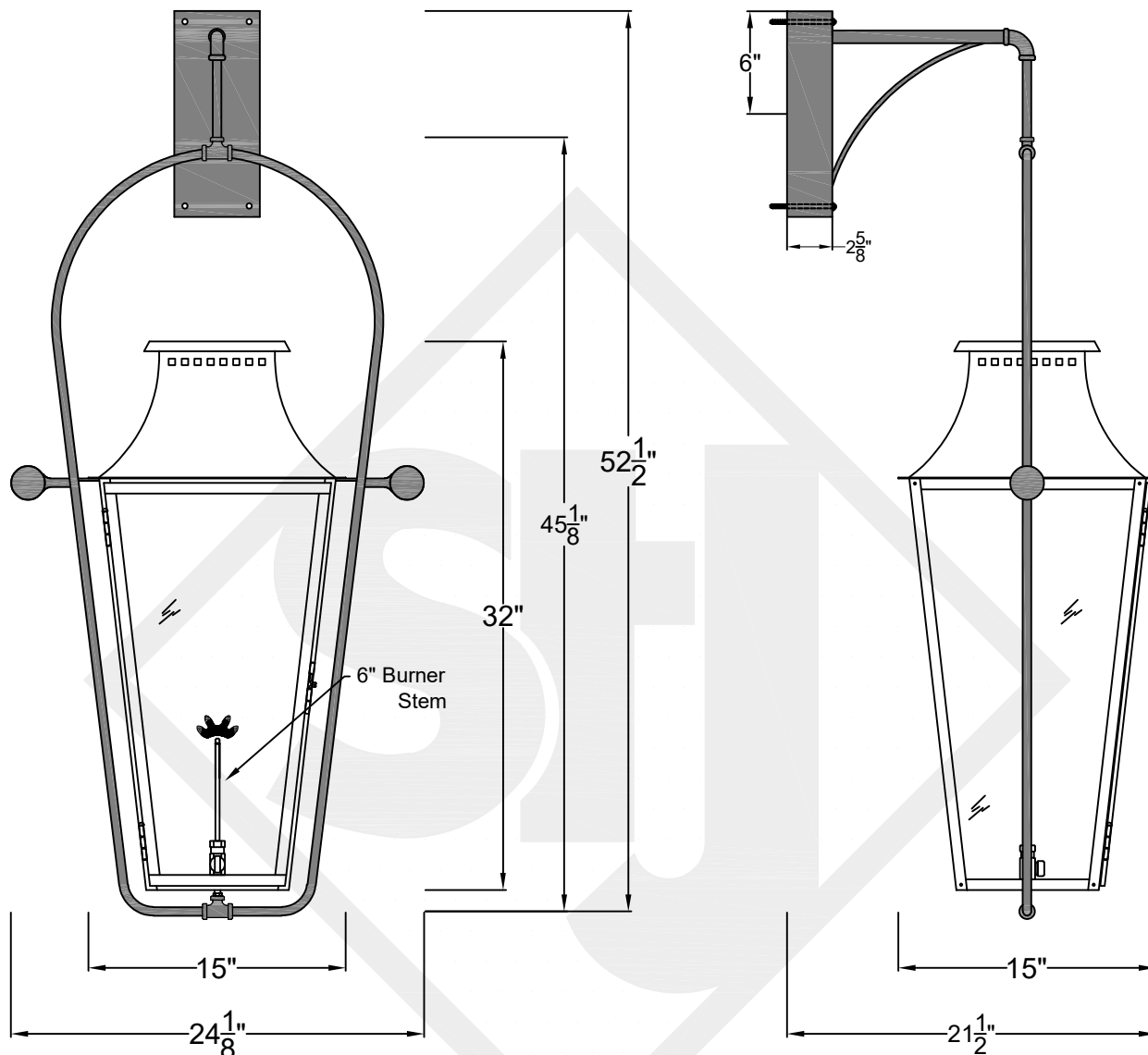
SCALE: N.T.S.	DRAFT: T. Herring
FILE: WOOM	APP'D: J. Ragan
JOB: X	DATE: 8-29-2023

Lights are handcrafted.  
Dimensions may vary by 1/4"

B.T.U. Rating  
Natural Gas: 2730 B.T.U.  
Propane: 2080 B.T.U.

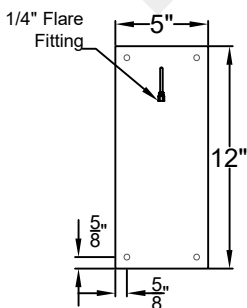
# WOOD DALE LARGE WALL MOUNT FULL YOKE

Shortest Height 49"



Front View

Side View



Backplate



**St. James  
LIGHTING**

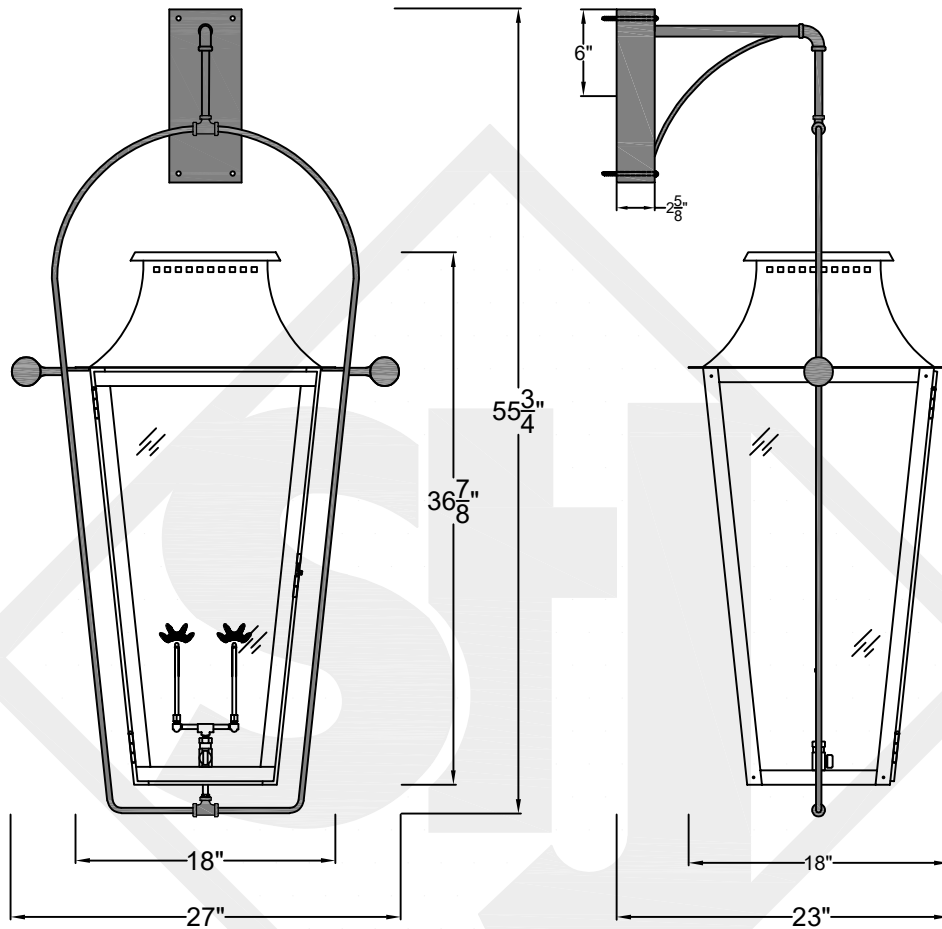
SCALE: N.T.S.	DRAFT: T. Herring
FILE: WOOL	APP'D: J. Ragan
JOB: X	DATE: 8-29-2023

Lights are handcrafted.  
Dimensions may vary by 1/4"

B.T.U. Rating  
Natural Gas: 2730 B.T.U.  
Propane: 2080 B.T.U.

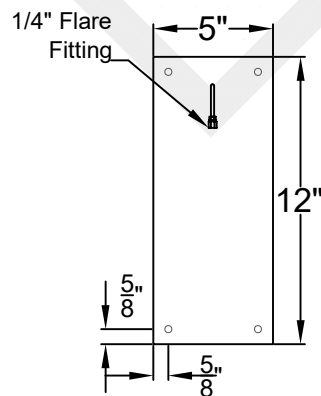
# WOOD DALE GRANDE WALL MOUNT FULL YOKE

Shortest Height 52 <sup>1</sup>/<sub>4</sub>"



Front View

Side View



Backplate



**St. James  
LIGHTING**

SCALE: N.T.S.	DRAFT: T. Herring
FILE: WOOG	APP'D: J. Ragan
JOB: X	DATE: 8-29-2023

Lights are handcrafted.  
Dimensions may vary by 1/4"

B.T.U. Rating  
Natural Gas: 5460 B.T.U.  
Propane: 4160 B.T.U.