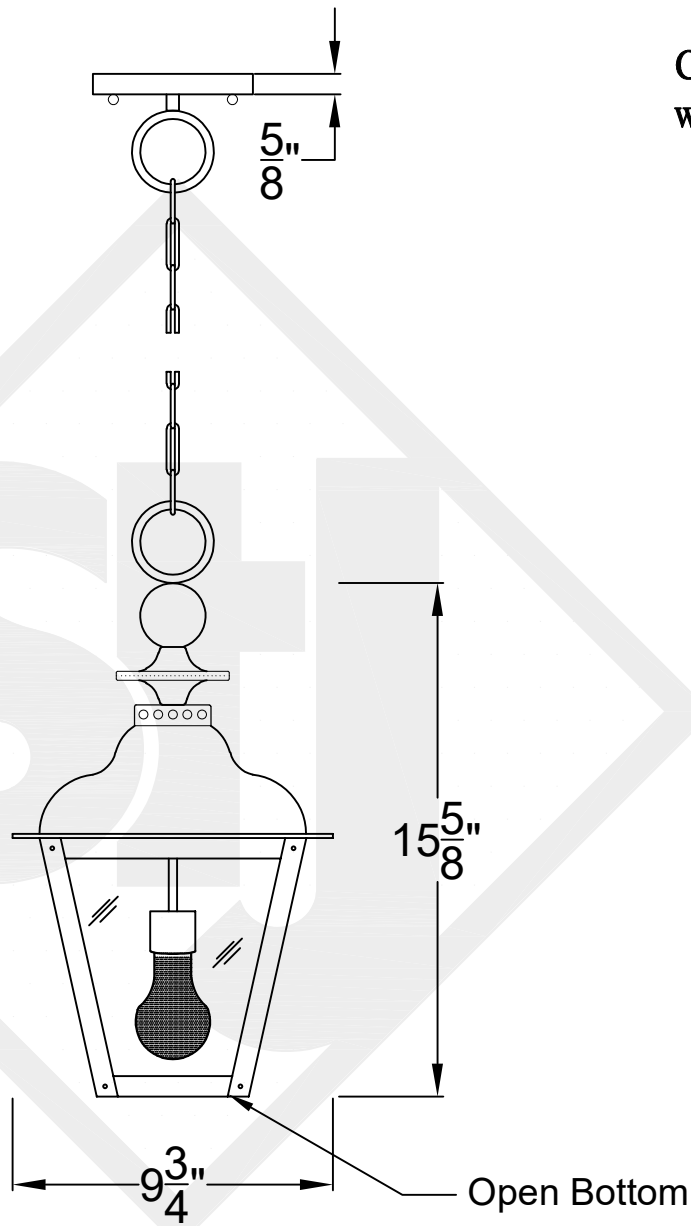
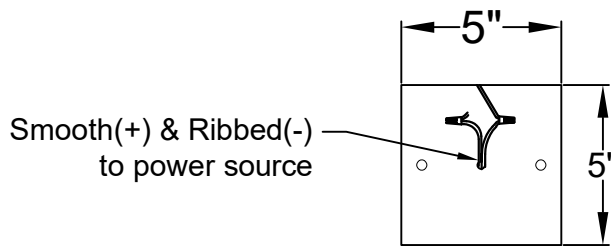


BRUNSWICK MINI CHAIN HUNG PENDANT

Comes standard
w/ 6' of chain



Front View



Ceiling Mount



St. James
LIGHTING

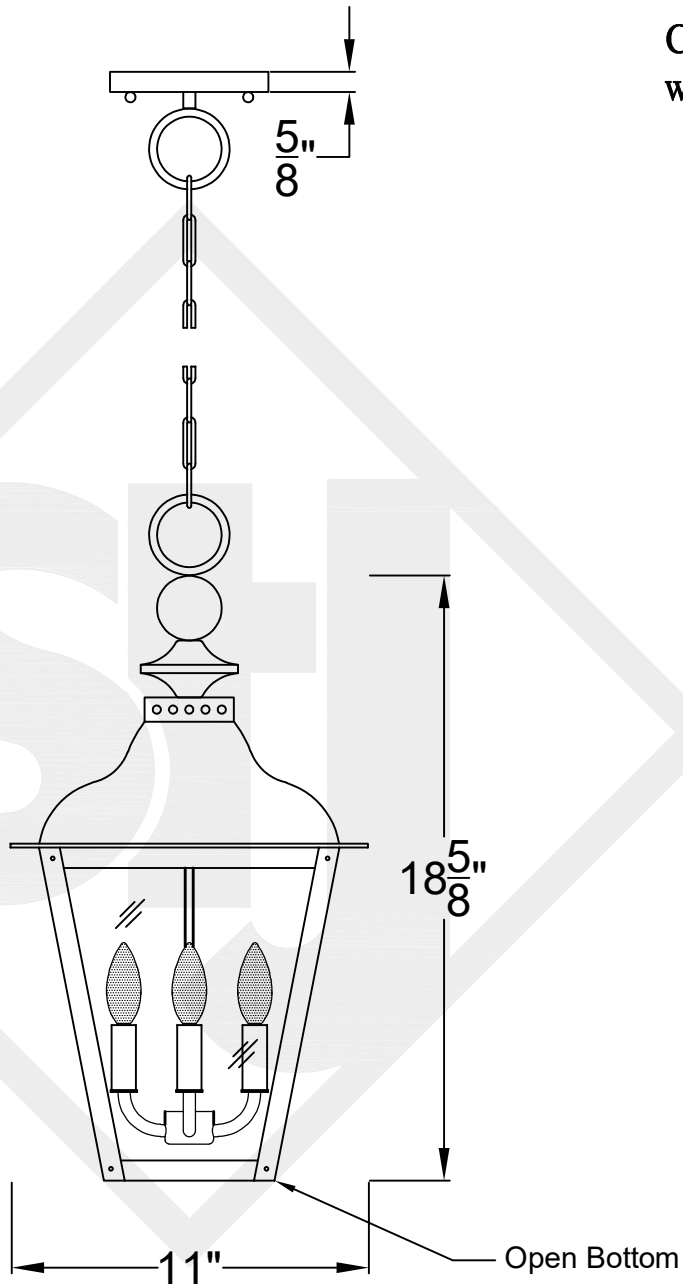
SCALE: N.T.S.	DRAFT: T. Herring
FILE: BRUMINI	APP'D: J. Ragan
JOB: X	DATE: 3-22-2023

Lights are handcrafted.
Dimensions may vary by 1/4"

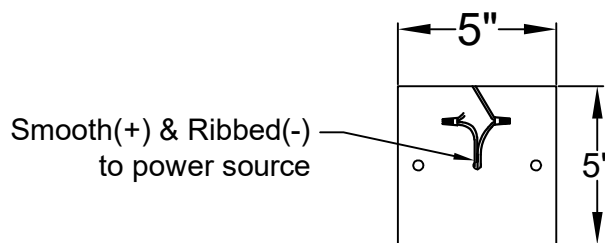
UL Certified
Candelabra- Max 60 Watt Bulb
Edison- Max 660 Watt Bulb

BRUNSWICK SMALL CHAIN HUNG PENDANT

Comes standard
w/ 6' of chain



Front View



Ceiling Mount



St. James
LIGHTING

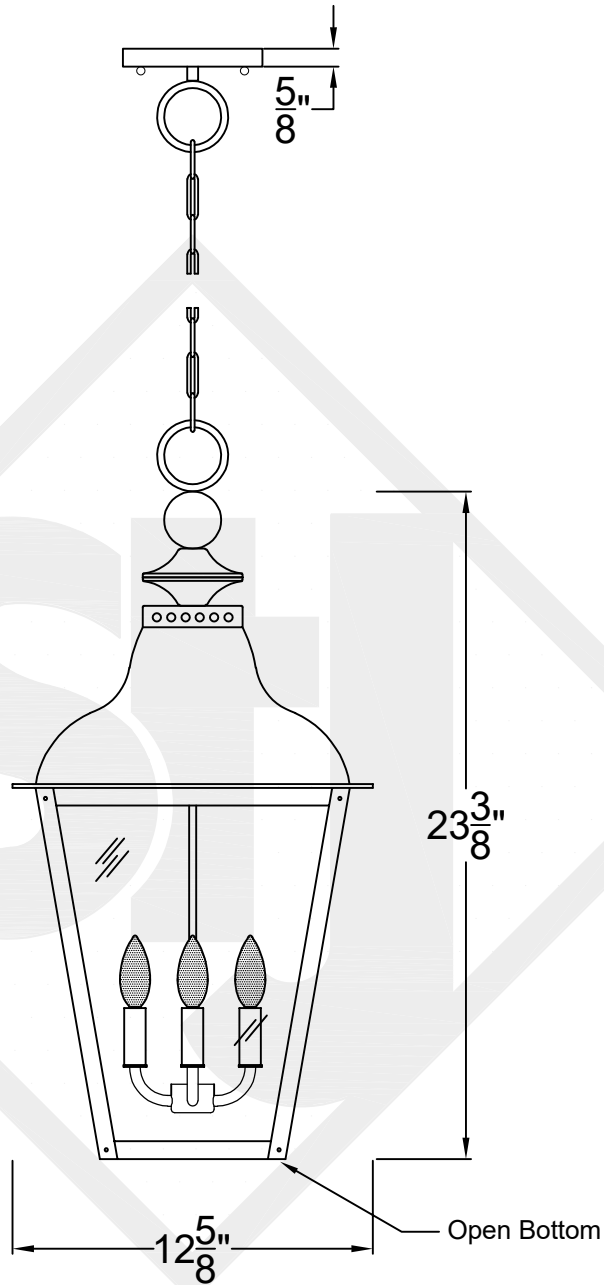
SCALE: N.T.S.	DRAFT: T. Herring
FILE: BRUS	APP'D: J. Ragan
JOB: X	DATE: 3-20-2023

Lights are handcrafted.
Dimensions may vary by 1/4"

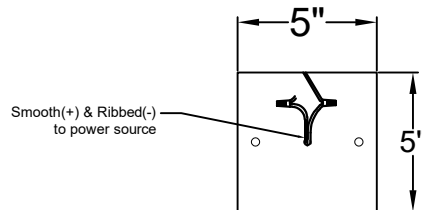
UL Certified
Candelabra- Max 60 Watt Bulb
Edison- Max 660 Watt Bulb

BRUNSWICK MEDIUM CHAIN HUNG PENDANT

Comes standard
w/ 6' of chain



Front View



Ceiling Mount



St. James
LIGHTING

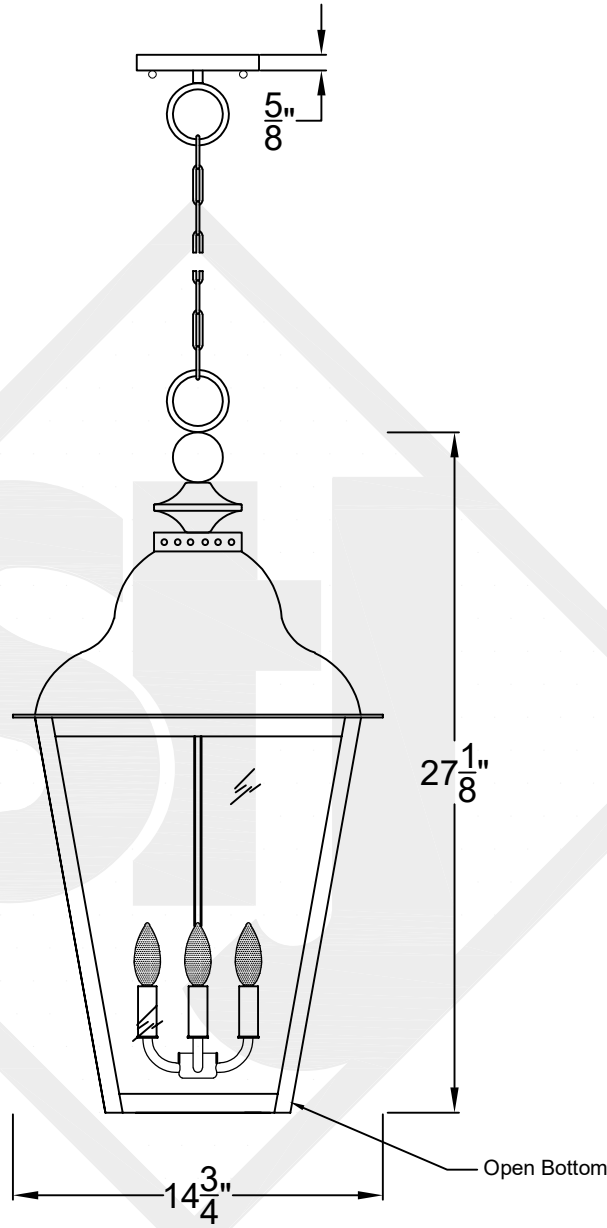
SCALE: N.T.S.	DRAFT: Y. McCullough
FILE: BRUM	APP'D: J. Ragan
JOB: X	DATE: 11/18/23

Lights are handcrafted.
Dimensions may vary by 1/4"

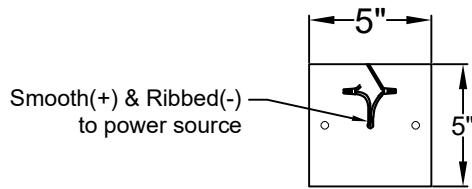
UL Certified
Candelabra- Max 60 Watt Bulb
Edison- Max 660 Watt Bulb

BRUNSWICK LARGE CHAIN HUNG PENDANT

Comes standard
w/ 6' of chain



Front View



Ceiling Mount



St. James
LIGHTING

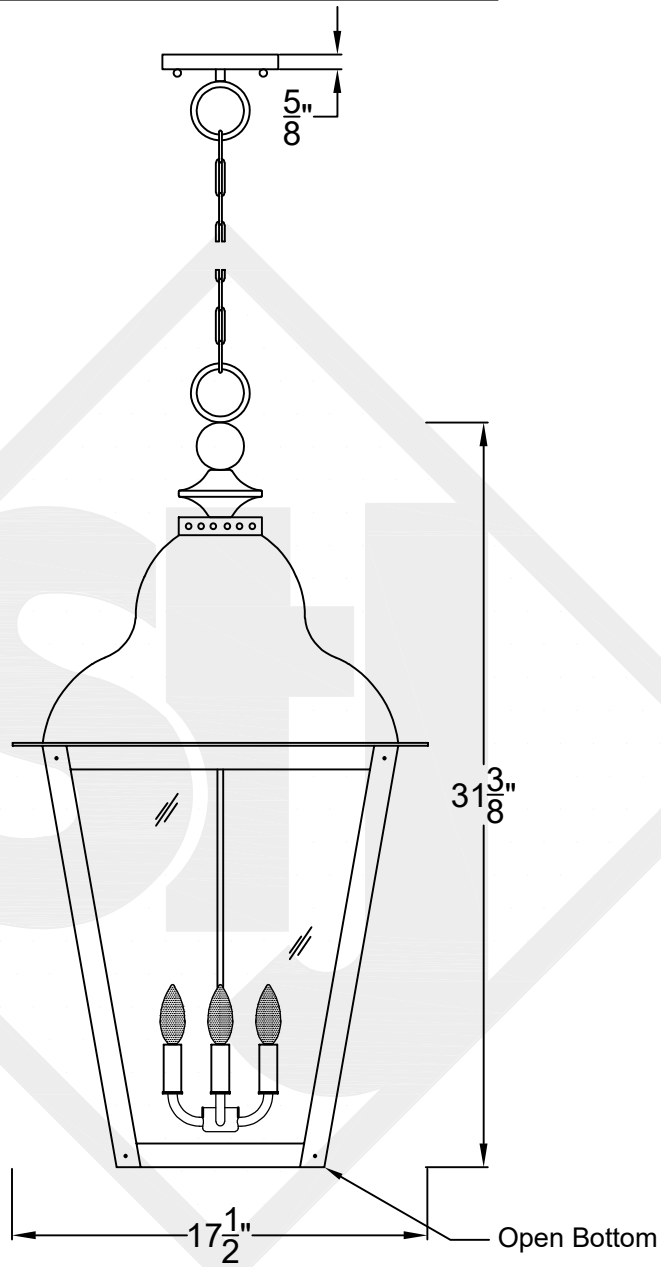
SCALE: N.T.S.	DRAFT: T. Herring
FILE: BRUL	APP'D: J. Ragan
JOB: X	DATE: 3-22-2023

Lights are handcrafted.
Dimensions may vary by 1/4"

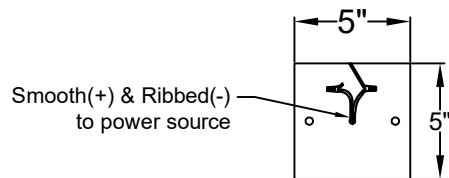
UL Certified
Candelabra- Max 60 Watt Bulb
Edison- Max 660 Watt Bulb

BRUNSWICK GRANDE CHAIN HUNG PENDANT

Comes standard
w/ 6' of chain



Front View



Ceiling Mount



St. James
LIGHTING

SCALE: N.T.S.	DRAFT: T. Herring
FILE: BRUG	APP'D: J. Ragan
JOB: X	DATE: 4-28-2023

Lights are handcrafted.
Dimensions may vary by 1/4"

UL Certified
Candelabra- Max 60 Watt Bulb
Edison- Max 660 Watt Bulb